

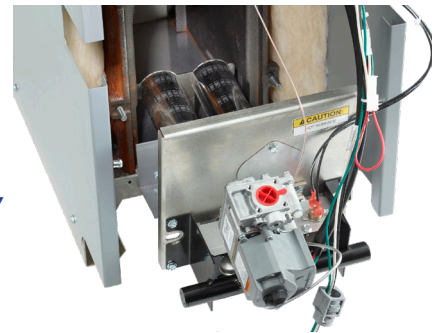


The 15B-K is a gas-fired residential boiler with quiet and highly efficient operation. Its energy saving features include the electronic ignition system and motorized vent damper.

The 15B-K offers more installation flexibility with water, gas and electrical connection options available out the left or right sides of the boiler.

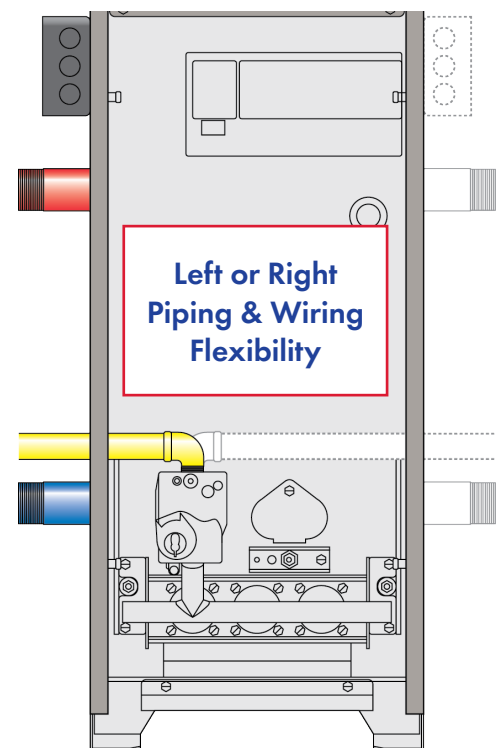
7 Models available offering inputs from 59 - 235 MBH.

Removable
Burner Tray



PRODUCT FEATURES

- 84% AFUE - Efficiency
- Features a dependable cast-iron heat exchanger with dry leg end sections. Each cast-iron heat exchanger is water and pressure tested prior to assembly.
- Internal Operating Control features digital display and diagnostics. Control adjusts the water temperature based on the heating system demand to reduce your heating costs.
- Factory installed gas valve and low water cut-off (LWCO) - protects the boiler from potentially dangerous low water conditions.
- Removable burner tray allows for easy cleaning and quick access to change orifices: LP gas, high altitude.
- Includes a low profile draft diverter hood reducing installation height by up to 30" when compared to models with external hoods.
- Warranty: 20 Year Limited Warranty (Residential)



15B Series K

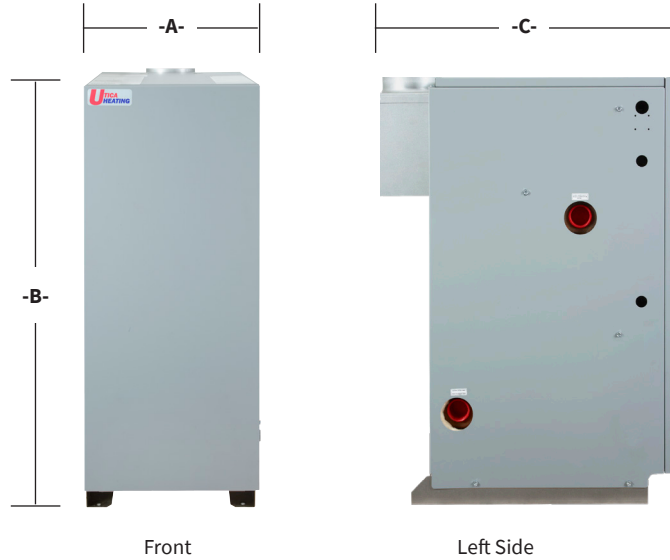
Gas Fired Water Boiler

Standard Equipment:

- Boiler Jacket
- Parts Box: Drain Valve, 30 psi Relief Valve, Pipe Nipples, Reducing Couplings, Bushings, T&P Gauge, J-Box, Close Nipple, Tee, Circulator Harness.
- Damper, Draft Hood
- Options
Available in Natural Gas or Propane
Taco pump, Grundfos pump



Included Parts Kit



CONNECTIONS	ELECTRICAL
Water Return/Supply: 1 1/4" NPT Gas Inlet: 1/2" NPT (3/4" NPT on 15B-205K/235K)	120 Volts AC, 60 hertz, 1 phase, less than 12 amps (15 amp circuit recommended)

RATINGS

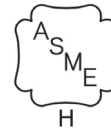
MODEL	AHRI CERTIFIED RATINGS				DIMENSIONS					
	Input MBH ⁽¹⁾	Heating Capacity MBH ⁽¹⁾	Net Water MBH ⁽²⁾	Efficiency AFUE	WATER CONTENT GALLONS	Flue Diameter ⁽³⁾	-A- WIDTH	-B- HEIGHT	-C- DEPTH	Ship WEIGHT
UH15B-060K	59	50	43	84%	1.9	4"	13-3/8"	32-1/8"	24-1/8"	215 lbs.
UH15B-095K	92.5	78	68	84%	2.3	5"	13-3/8"	32-1/8"	24-1/8"	250 lbs.
UH15B-120K	120	101	88	84%	2.8	6"	16-1/4"	32-1/8"	24-1/8"	295 lbs.
UH15B-150K	149	125	109	84%	3.2	6"	19"	32-1/8"	24-1/8"	335 lbs.
UH15B-175K	175	147	128	84%	3.7	7"	21-7/8"	32-1/8"	24-1/8"	385 lbs.
UH15B-205K	205	172	150	84%	4.1	7"	27-1/2"	32-1/8"	24-1/8"	420 lbs.
UH15B-235K	235	197	171	84%	4.6	7"	27-1/2"	32-1/8"	24-1/8"	465 lbs.

(1) Input rating for sea level to 2,000 ft. (610m) above sea level. United States, over 2000 ft (610m) above sea level. Reduce input rate 4% for every 1000 ft (304m) above sea level.

(2) Net AHRI Water Rating shown based on piping and pickup allowance of 1.15. Consult manufacturer before selecting boilers for installation having unusual piping and pickup requirements, such as intermittent system operation, extensive piping systems, etc.

(3) Refer to IOM and vent pipe manufacturer's instructions for approved venting materials and installation methods.

For forced hot water systems where boiler and all piping within area to be heated, boiler may be selected on basis of its heating capacity.



C.S.A. Certified
For Natural Gas Or Propane



www.uticaboilers.com

ECR International, Inc. 2201 Dwyer Avenue, Utica, NY 13501
Tel. 800 253 7900
www.ecrinternational.com

All specifications subject to change without notice.
©2023 ECR International, Inc.
PN 240013221 Rev. [03/14/23]