



# **UHSW**

## Gas-Fired Hot Water Induced Draft Boilers

### **REPAIR PARTS AND OPTIONAL KITS**

**Models**  
**UHSW42**  
**UHSW75**  
**UHSW112**  
**UHSW150**  
**UHSW188**  
**UHSW225**

#### Ordering Instructions

Order Parts through your nearest supplier.

When ordering parts, obtain Model Number and Serial number from data plate on your boiler.

Include following information when ordering.

Part Number \_\_\_\_\_

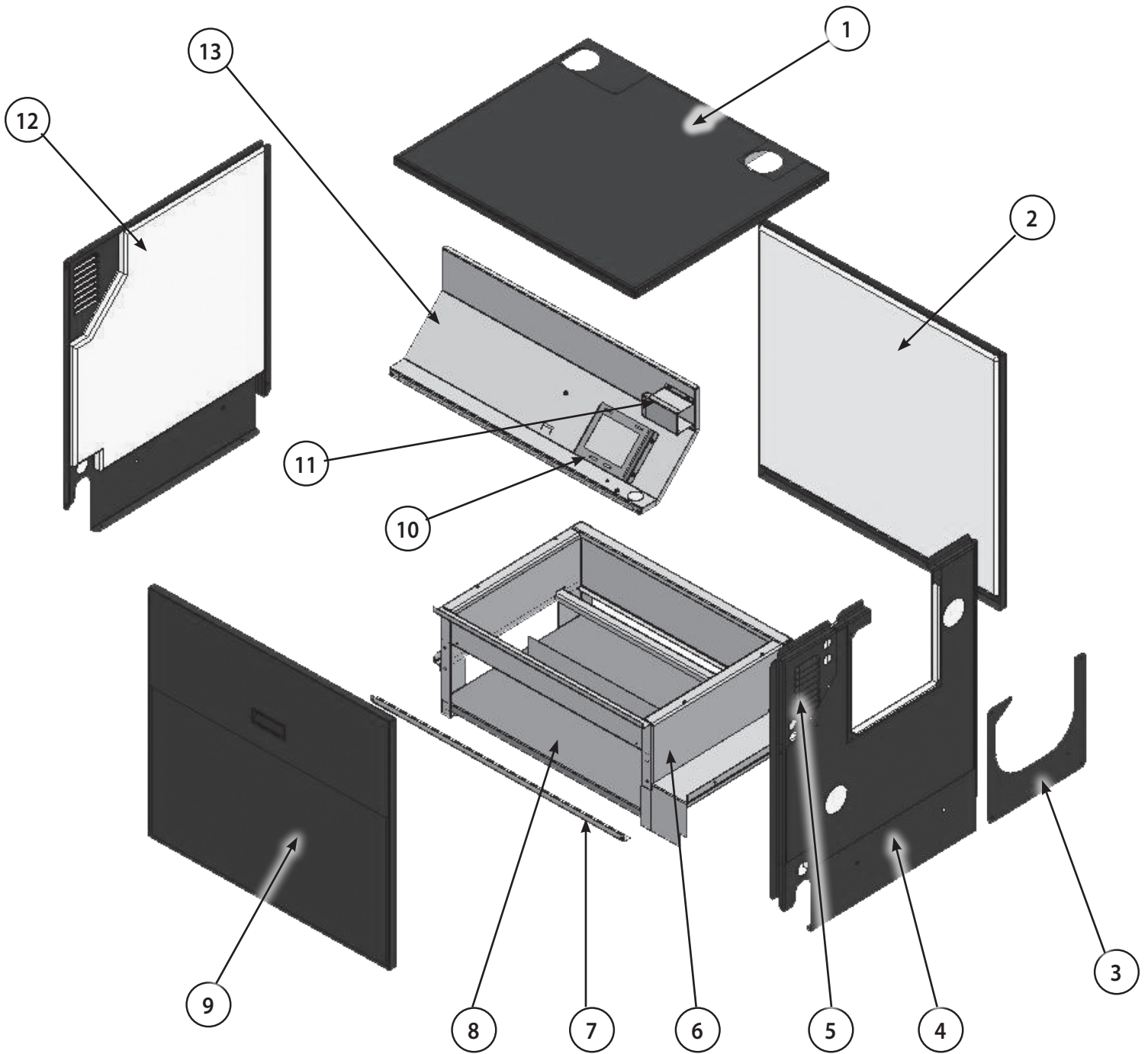
Part Description \_\_\_\_\_

Boiler Model Number \_\_\_\_\_

Boiler Serial Number \_\_\_\_\_



## Jacket Sections and Base Parts



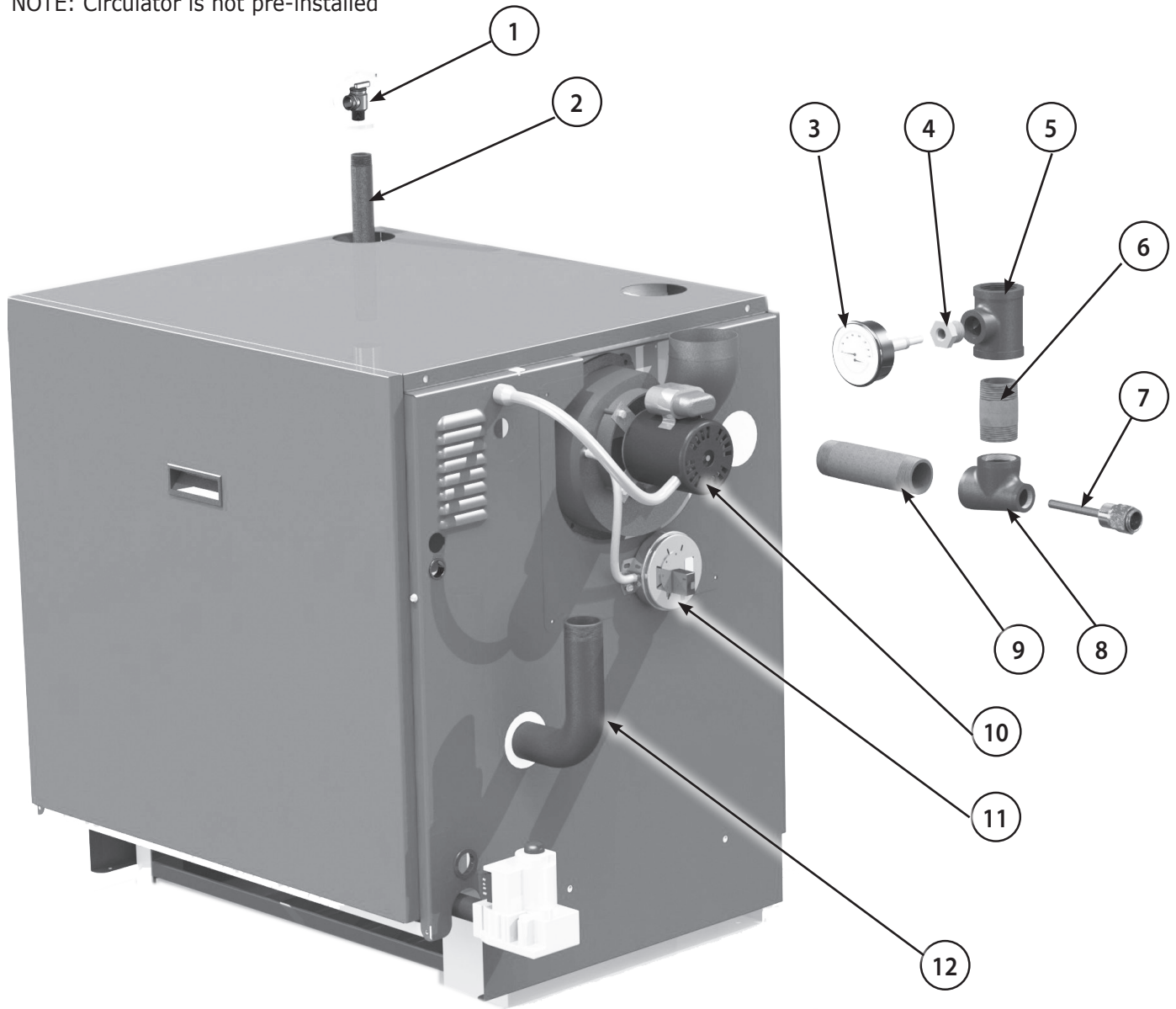
## Jacket Sections and Base Parts

KEY NO.	DESCRIPTION	PART NUMBERS FOR					
		2 Section	3 Section	4 Section	5 Section	6 Section	7 Section
1	Jacket, Top Panel	730001012	730001013	730001014	730001015	730001016	730001017
2	Jacket, Back Panel	730001022	730001023	730001024	730001025	730001026	730001027
3	Blower Cover Plate	630001170	630001170	630001170	630001170	630001170	630001170
4	Jacket, Right Side Panel	109008498	109008498	109008498	109008498	109008498	109008498
5	Rating Plate	-	-	-	-	-	-
6	Boiler Base	42500733	42500734	42500735	42500736	42500737	42500738
7	Jacket Tie Bar	42500653	42500654	42500655	42500656	42500657	42500658
8	Insulation, Base Side (2 Required)	14614020	14614020	14614020	14614020	14614020	14614020
	Insulation, Base Front	14614112	14614113	14614114	14614115	14614116	14614117
	Insulation, Base Rear	14614122	14614123	14614124	14614125	14614126	14614127
9	Service Door	109008686	109008687	109008688	109008689	109008690	109008691
10	Control Standoff (See page 8)	109008496	109008496	109008496	109008496	109008496	109008496
11	J-Box Cover (See page 8)	109008506	109008506	109008506	109008506	109008506	109008506
12	Jacket, Left Side Panel	109008497	109008497	109008497	109008497	109008497	109008497
13	Control Panel	109008500	109008501	109008502	109008503	109008504	109008505
‡	Cleanout Plate(s) & Insulation	42501539	42501540	42501541	42501542	42501540 & 42501541	42501541 (x2)
‡	Flue Collector	730003002	730003003	730003004	730003005	730003006	730003007
‡	Jacket, Complete	550002435	550002436	550002437	550002438	550002439	550002440
‡	#10 x 1/2 Sheet Metal Screw	14695074	14695074	14695074	14695074	14695074	14695074
‡	Block Assembly (7,10,11,12,13,17))	41000212	41000312	41000412	41000512	41000612	41000712
‡	Combustible Floor Plate	14614031	14614031	14614031	14614031	14614032	14614032

‡ Not illustrated

## Boiler Controls and Piping Repair Parts

NOTE: Circulator is not pre-installed



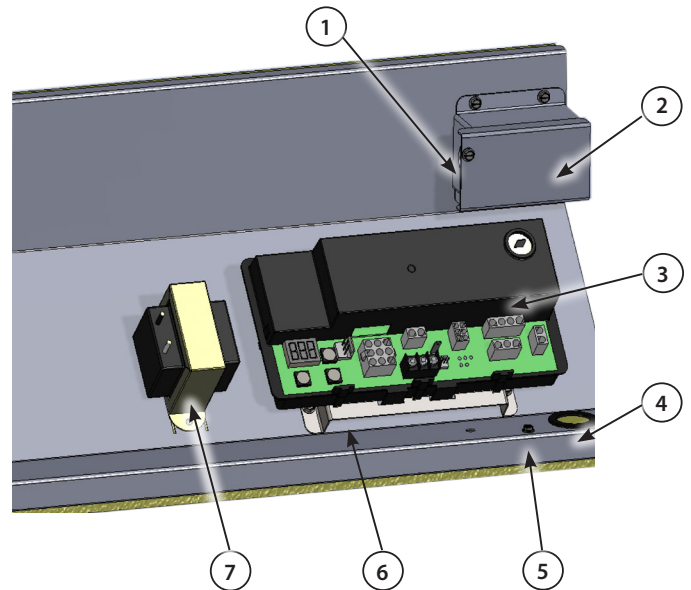
## Boiler Controls and Piping Repair Parts

Key No.	Description	Part No.
1	¾" ASME Relief Valve	14622011
2	¾"x 5½" Female Adapter	1310010
3	Temperature Pressure Gauge (3½"Stem)	1260006SP
4	Bushing ½" x ¼"	1060001
5	Tee 1¼" x 1¼" x ¾"	PF05901
6	Bushing 1¼"x 2½ "	14693008
7	Well	1635001
8	1¼" x ¾" x ¾" Tee	1510001
9	Female adapter 1¼"x 5½ "	14607019
10	Induced Draft Blower and Gasket	240009011
11	Pressure Switch - 2,3,4,5 Section	14655006
	Pressure Switch - 6,7 Section	14655005
12	1¼" Bent Tube	14607004
‡	Sensor	240007732
‡	Clip	240008013
‡	Rubber Tube (Blower to Pressure Switch)	1552014
‡	Rollout Switch	14629002
‡	3" x 4" Increaser Fitting - Galvanized	14628012
‡	Drain Valve	240009323

‡ Not illustrated

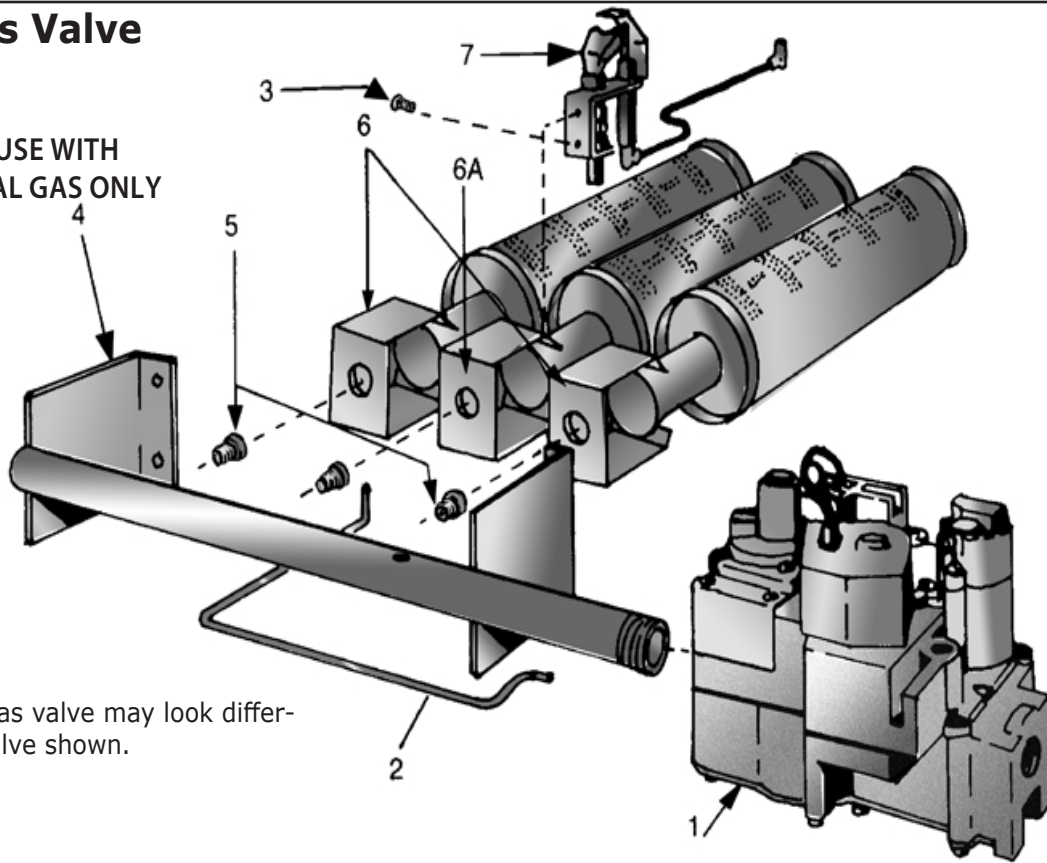
### CONTROL ASSEMBLY

ITEM	DESCRIPTION	P/N	QTY.
1	J-BOX	109008499	1
2	J-Box Cover	109008506	1
3	Control	240009241	1
4	Grommet	206000025	1
5	Ground Screw #8	HW07701	1
6	Control Standoff	109008496	1
7	Transformer	240008782	1
*	Line Voltage Harness	240009194	1
*	Low Voltage Wire Harness	240009342	1
*	Circulator Harness	240008767	1
*	Pilot (with wires) [Shown on page 6]	240009031	1
* NOT SHOWN			



# Natural Gas Valve

FOR USE WITH  
NATURAL GAS ONLY



NOTE: Actual gas valve may look different than gas valve shown.

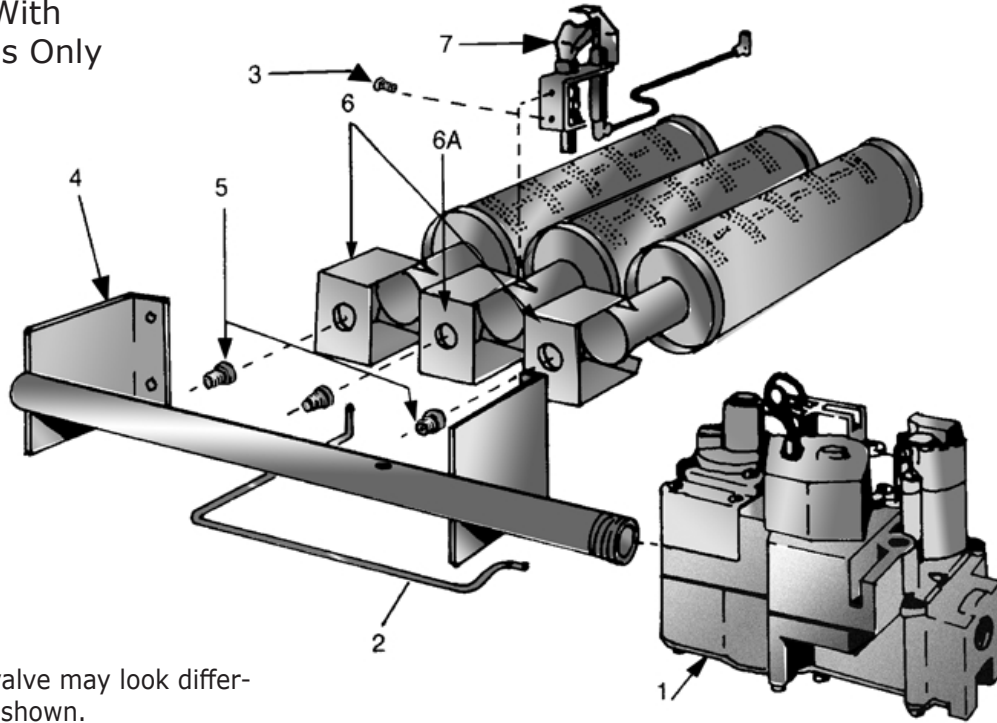
NATURAL GAS BURNER & MANIFOLD PARTS

KEY NO.	DESCRIPTION	PART NUMBERS FOR					
		2 Section	3 Section	4 Section	5 Section	6 Section	7 Section
1	Gas Valve, Natural Gas	14662052	14662052	14662052	14662052	14662058	14662058
2	Pilot Tube With Fitting	43300201	43300201	43300201	43300201	43300200	43300200
3	10-32 x 3/16" Slotted Hex Head Screws	14695301	14695301	14695301	14695301	14695301	14695301
4	Gas Manifold	14616042	14616043	14616044	14616045	14616024	14616025
5	*Orifice -Natural Gas	14615030	14615031	14615031	14615031	14615035	14615035
6	**Main Burner Less Pilot Bracket	- - -	14615532	14615532	14615532	14615532	14615532
6A	Main Burner with Pilot Bracket	14615531	14615531	14615531	14615531	14615531	14615531
7	Pilot with Orifice, Natural Gas	240009031	240009031	240009031	240009031	240009031	240009031
‡	Rollout Shield	42500932	42500933	42500934	42500935	42500936	42500937

\*Requires 1 less than the number of sections.  
 \*\*Requires 2 less than the number of sections.  
 ‡ Not illustrated. Quantity is 1 unless otherwise noted.

# Propane Gas Valve

For Use With  
Propane Gas Only



NOTE: Actual gas valve may look different than gas valve shown.

PROPANE GAS BURNER & MANIFOLD PARTS							
KEY NO.	DESCRIPTION	PART NUMBERS FOR					
		2 Section	3 Section	4 Section	5 Section	6 Section	7 Section
1	Gas Valve, Propane Gas	550002740	550002740	550002740	550002740	550002259	550002259
2	Pilot Tube With Fitting	43300201	43300201	43300201	43300201	43300200	43300200
3	10-32 x 3/16" Slotted Hex Head Screws	14695301	14695301	14695301	14695301	14695301	14695301
4	Gas Manifold	14616042	14616043	14616044	14616045	14616024	14616025
5	*Orifice-Propane Gas	14615039	14615064	14615064	14615064	14615036	14615036
6	**Main Burner Less Pilot Bracket	---	14615532	14615532	14615532	14615532	14615532
6A	Main Burner with Pilot Bracket	14615531	14615531	14615531	14615531	14615531	14615531
7	Pilot with Orifice, Nat Gas	240009031	240009031	240009031	240009031	240009031	240009031
‡ ‡	Orifice Propane Gas	PB00208	PB00208	PB00208	PB00208	PB00208	PB00208
‡	Rollout Shield	42500932	42500933	42500934	42500935	42500936	42500937
*Requires 1 less than number of sections. **Requires 2 less than number of sections. ‡ Not illustrated. Quantity is 1 unless otherwise noted. ‡ ‡ Not illustrated pilot sold only in natural gas, must field convert.							



2201 Dwyer Avenue, Utica, NY 13501  
Tel. 800 253 7900  
[www.ecrinternational.com](http://www.ecrinternational.com)

All specifications subject to change without notice.  
©2018 ECR International, Inc.