



UH15B

CAST IRON GAS FIRED BOILERS
FOR FORCED HOT WATER
With Resido Control

Models

UH15B-060K
UH15B-095K
UH15B-120K
UH15B-150K
UH15B-175K
UH15B-205K
UH15B-235K

PARTS, KITS & OPTIONAL ACCESSORIES

Ordering Instructions

Order Parts through your nearest supplier.

When ordering parts, obtain Model Number and Serial Number from data plate on your boiler.

Include following information when ordering.

Part Number _____

Part Description _____

Boiler Model Number _____

Boiler Serial Number _____



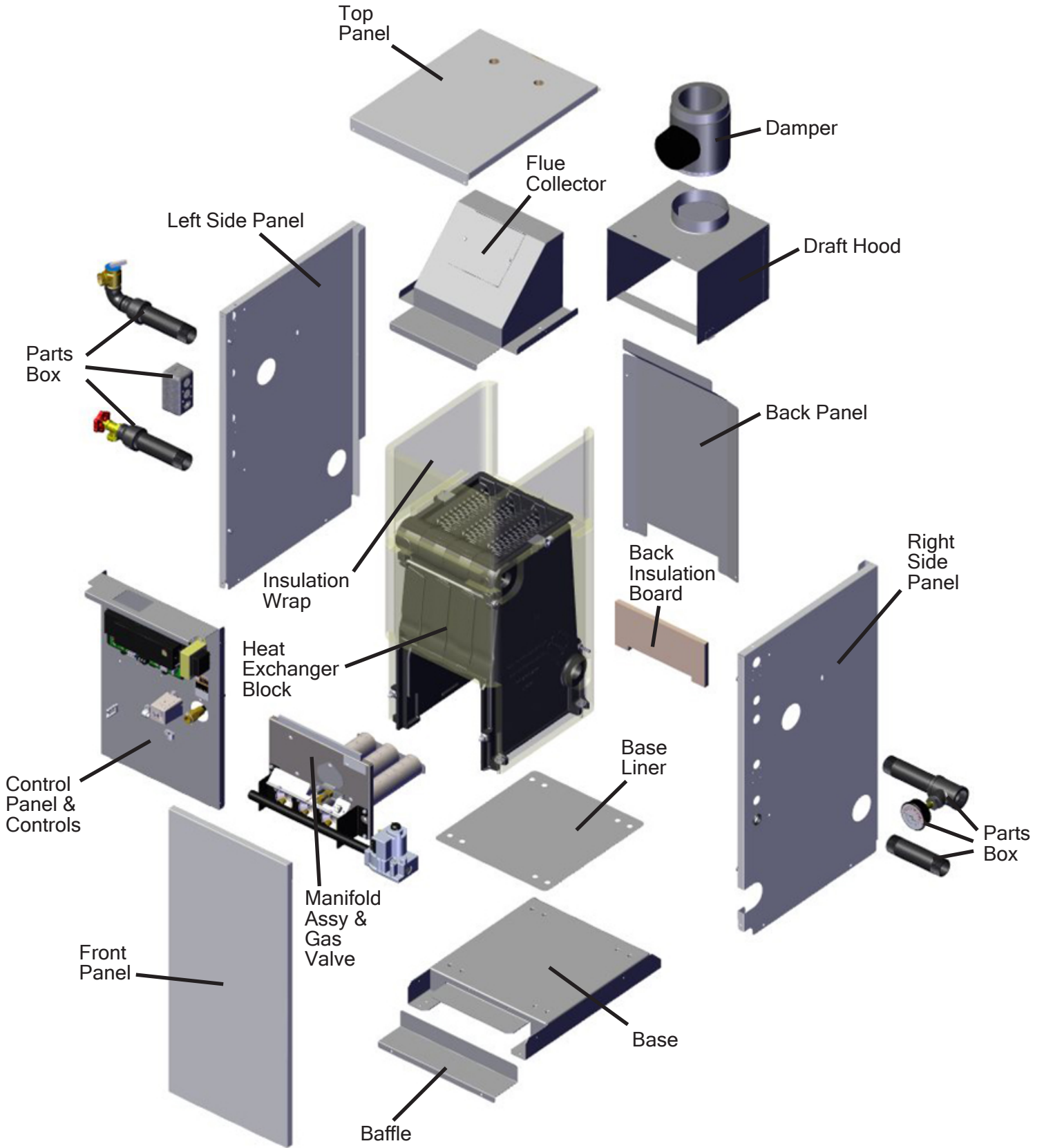
Manufactured by:
ECR International Inc.
2201 Dwyer Avenue, Utica, NY 13501
Tel. 800 325 5479
www.ecrinternational.com
PN 240012810 REV. E [12/21/2021]

TABLE OF CONTENTS

Table of Contents	Page(s)
Jacket, Flue and Draft Hood	4 & 5
Manifold Assembly & Gas Valve	6 & 7
Control Panel	8
Parts Box	9
Heat Exchanger & Insulation	10
Conversion Kits	11

BOILER EXPLODED VIEW

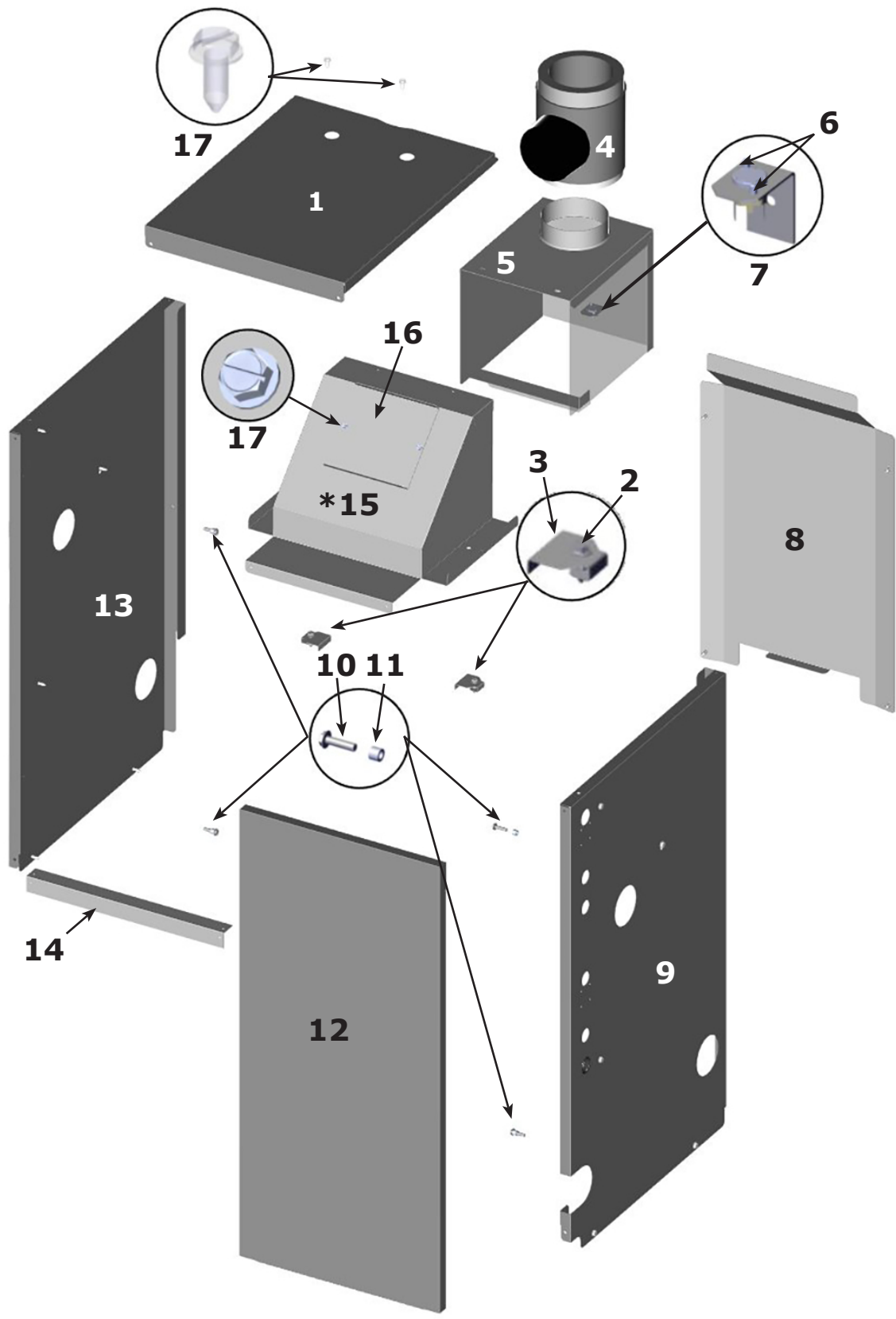
EXPLODED VIEW 4 SECTION UH15B-095K SHOWN



JACKET, FLUE AND DRAFT HOOD

UH15B-095K/4 SECTION/SHOWN

*Note: Flue Collector shall be secured in place to top of block using 500°F Silicone.



JACKET, FLUE AND DRAFT HOOD

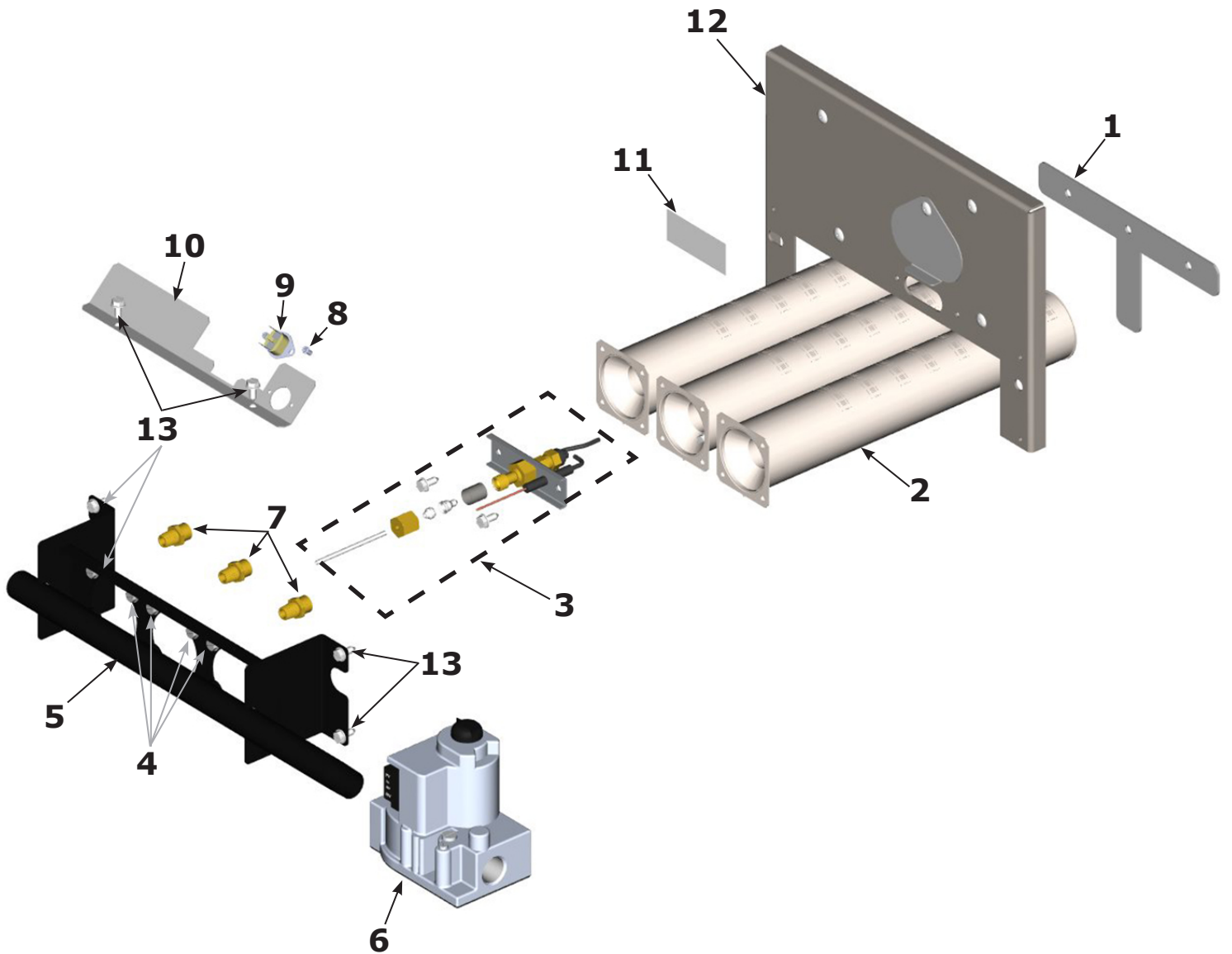
Item	Part No.	Description	Qty.
1	550003827	Jkt Top Panel (060, 095)	1
	550003828	Jkt Top Panel (120)	
	550003829	Jkt Top Panel (150)	
	550003830	Jkt Top Panel (175)	
	550003831	Jkt Top Panel (205, 235)	
2	14695070	Screw Flue Collector to Block	2
3	240012773	Flue Collector Clip	2
4	240006936	4" Damper (060)	1
	240006937	5" Damper (095)	
	240006938	6" Damper (120, 150)	
	240006939	7" Damper (175, 205, 235)	
5	109010255	Draft Hood (060)	1
	109010256	Draft Hood (095)	
	109010257	Draft Hood (120)	
	109010258	Draft Hood (150)	
	109010259	Draft Hood (175)	
	109010260	Draft Hood (205)	
	109010261	Draft Hood (235)	
6	HW06501	Screw for Spill Switch	2
7	AQ02101	Spill Switch	1
8	109010298	Jkt Back Panel (060, 095)	1
	109010299	Jkt Back Panel (120)	
	109010300	Jkt Back Panel (150)	
	109010301	Jkt Back Panel (175)	
	109010302	Jkt Back Panel (205,235)	
9	550003825	Jkt Side Right Panel (060-235)	1
10	2120103	Screw For Front Panel Mount Bushing	4
11	240012789	Front Panel Mount Bushing	4

Item	Part No.	Description	Qty.
12	550003837	Jkt Front w/ labels (060, 095)	1
	550003838	Jkt Front w/ labels (120)	
	550003839	Jkt Front w/ labels (150)	
	550003840	Jkt Front w/ labels (175)	
	550003841	Jkt Front w/ labels (205, 235)	
13	550003826	Jkt Left Side Panel (060-235)	1
14	109010411	Tie Bar (060,095)	1
	109010412	Tie Bar (120)	
	109010413	Tie Bar (150)	
	109010414	Tie Bar (175)	
*15	109010415	Tie Bar (205,235)	1
	109010262	Flue Collector (060)	
	109010263	Flue Collector (095)	
	109010264	Flue Collector (120)	
	109010265	Flue Collector (150)	
	109010266	Flue Collector (175)	
	109010267	Flue Collector (205)	
109010268	Flue Collector (235)		
16	109010278	Flue Cleanout Plate	1
17	14695074	Screws Hood Assy, Jacket & Cleanout Plate	14

*Note Flue Collector shall be secured in place to top of block using 500°F Silicone.

MANIFOLD ASSEMBLY & GAS VALVE

UH15B-095K/4 SECTION/SHOWN

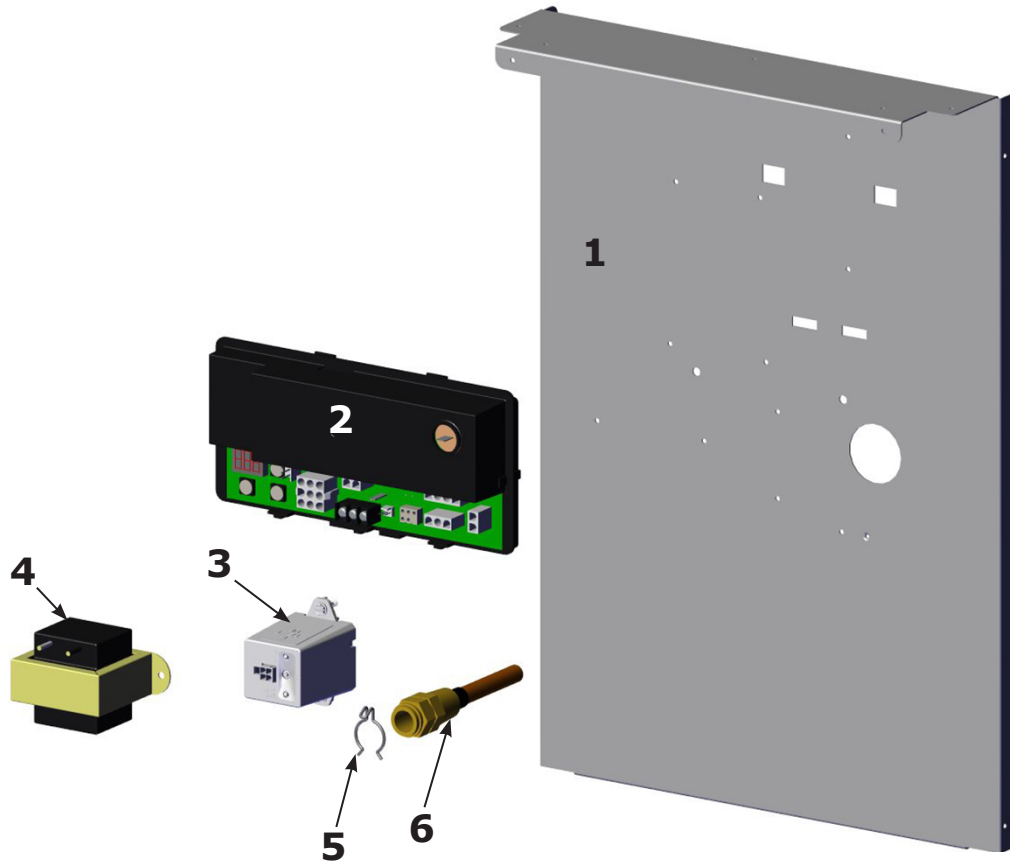


MANIFOLD ASSEMBLY & GAS VALVE

Item	Part No.	Description	Qty.
1	109010325	Burner Support T, 3 Sec, (060)	1
	109010326	Burner Support T, 4 Sec, (095)	
	109010327	Burner Support T, 5 Sec, (120)	
	109010328	Burner Support T, 6 Sec, (150)	
	109010329	Burner Support T, 7 Sec, (175)	
	109010330	Burner Support T, 8 Sec, (205)	
	109010331	Burner Support T, 9 Sec, (235)	
2	240012755	Burner (060)	2
		Burner (095)	3
		Burner (120)	4
		Burner (150)	5
		Burner (175)	6
		Burner (205)	7
		Burner (235)	8
3	550003793	Pilot Tube	1
		Pilot Nut	1
		Ferrule, Pilot tube	1
		Pilot Orifice, NAT	1
		Pilot Orifice, LP	1
		Pilot Screen	1
		Pilot Assy	1
		Instructions	1
4	201000164	#10 Screw- Manifold, Burners (060)	8
		#10 Screw- Manifold, Burners (095)	12
		#10 Screw- Manifold, Burners (120)	16
		#10 Screw- Manifold, Burners (150)	20
		#10 Screw- Manifold, Burners (175)	24
		#10 Screw- Manifold, Burners (205)	28
#10 Screw- Manifold, Burners (235)	32		
5	240012725	Gas Manifold (060)	1
	240012726	Gas Manifold (095)	
	240012727	Gas Manifold (120)	
	240012728	Gas Manifold (150)	
	240012729	Gas Manifold (175)	
	240012730	Gas Manifold (205)	
	240012731	Gas Manifold (235)	
6	VG01101	VLV,GAS,NAT,1/2x1/2,SPK (060-175)	1
	VG01103	VLV,GAS,NAT,3/4x3/4,SPK,(205-235)	1

Item	Part No.	Description	Qty.
7 NAT	240012911	Orifice, NAT , 1/8", #40 (060)	2
	240012909	Orifice, NAT , 1/8", #38 (095)	3
	240012910	Orifice, NAT , 1/8", #39 (120)	4
	240012910	Orifice, NAT , 1/8", #39 (150)	5
	240012910	Orifice, NAT , 1/8", #39 (175)	6
	240012910	Orifice, NAT , 1/8", #39 (205)	7
	240012910	Orifice, NAT , 1/8", #39 (235)	8
	7 LP	240012921	Orifice, LP ,1/8",BRS, #53 (060)
240012920		Orifice, LP ,1/8",BRS, #52 (095)	3
240012921		Orifice, LP ,1/8",BRS, #53 (120)	4
240012921		Orifice, LP ,1/8",BRS, #53 (150)	5
240012921		Orifice, LP ,1/8",BRS, #53 (175)	6
240012921		Orifice, LP ,1/8",BRS, #53 (205)	7
240012921		Orifice, LP ,1/8",BRS, #53 (235)	8
8		HW06501	Rollout Switch Screw
9	AQ02101	Rollout Switch	1
10	109010310	Rollout Switch Bracket (060)	1
	109010311	Rollout Switch Bracket (095)	
	109010312	Rollout Switch Bracket (120)	
	109010313	Rollout Switch Bracket (150)	
	109010314	Rollout Switch Bracket (175)	
	109010315	Rollout Switch Bracket (205)	
109010316	Rollout Switch Bracket (235)		
11	240011572	LBL,Caution,Hot	1
12	550004179	Burner Plate Kit 3 Sec,(060)	1
	550004180	Burner Plate Kit 4 Sec,(095)	
	550004181	Burner Plate Kit 5 Sec,(120)	
	550004182	Burner Plate Kit 6 Sec,(150)	
	550004183	Burner Plate Kit 7 Sec,(175)	
	550004184	Burner Plate Kit 8 Sec,(205)	
550004185	Burner Plate Kit 9 Sec,(235)		
13	14695074	#10 x 1/2 Screw, Sheet Metal	VAR

CONTROL PANEL

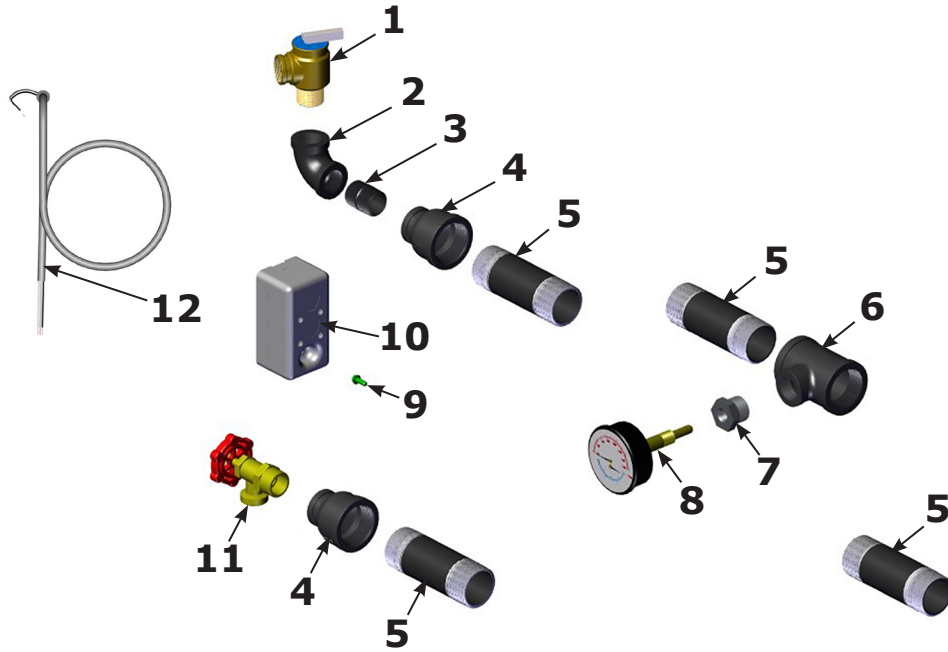


Item	Part No.	Description	Qty.
1	109010291	Control Panel (060)	1
	109010292	Control Panel (095)	1
	109010293	Control Panel (120)	1
	109010294	Control Panel (150)	1
	109010295	Control Panel (175)	1
	109010296	Control Panel (205)	1
	109010297	Control Panel (235)	1
2	240011101	Honeywell Control	1
3	240011833	Hydrolevel LWCO Control w/ Sensor	1
4	14662046	Transformer	1
5	240013405	Sensor Well	1
6	240013363	Clip	1

Item	Part No.	Description	Qty.
NS	201000024	#8 Screw for LWCO Wire & Transformer	4
NS	HW07701	Ground Screw #8	1
NS	240012713	Vent Damper Harness	1
NS	240012719	Main Harness (060-150)	1
	240012823	Main Harness (175-235)	1
NS	240009680	Warning Label Disconnect Power	2
NS	14695074	#10 Screw, Used for Control Panel	4

NS= Not shown

PARTS BOX



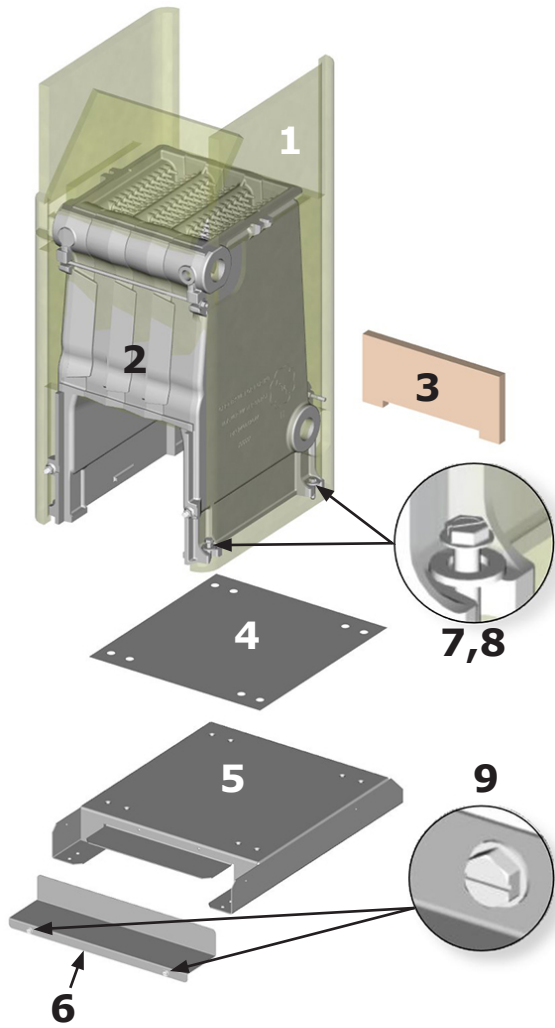
060 & 205 Parts Box Kit 550003796 Includes:			
Item	Part No.	Description	Qty.
1	VR-001.01	ASME Relief Valve, 30 PSI, 3/4"	1
2	1190001	Elbow 3/4" 90°	1
3	1310004	Close Nipple 3/4" NPT	1
4	240012815	Reducing Coupling 1-1/4"x 3/4" NPT	2
5	14607017	NPL,1-1/4" x 6" ,BI,STD	4
6	PF05901	Tee 1-1/4" x 1-1/4" x 3/4" NPT	1
7	1060002	Bushing 3/4"x 1/4" NPT	1
8	1260006SP	GA,Temp/Press, 2" Shank	1
9	HW09001	Ground Screw	1
10	212000017	Junction Box 2" x 4" x 1-7/8"	1
11	240009323	Drain Valve 3/4"	1
12	240012712	Circulator Harness, 60"	1
NS	14695074	Screw, #10 for Junction Box	2
NS	206000021	Panel Hole Plug Bushing	3

095 - 175 & 235 Parts Box Kit 550004273 Includes:			
Item	Part No.	Description	Qty.
1	VR-001.01	ASME Relief Valve, 30 PSI, 3/4"	1
2	1190001	Pipe, Elbow 3/4" 90°	1
3	1310004	Close Nipple 3/4" NPT	1
4	240012815	Reducing coupling 1-1/4" x 3/4" NPT	2
5	1310002	NPL,1-1/4" x 4-1/2" ,BI,STD	4
6	PF05901	Tee 1-1/4" x 1-1/4" x 3/4" NPT	1
7	1060002	Bushing 3/4"x 1/4" NPT	1
8	1260006SP	GA,Temp/Press, 2" Shank	1
9	HW09001	Ground Screw	1
10	212000017	Box,Junction,2" x 4" x 1-7/8"	1
11	240009323	Drain Valve 3/4"	1
12	240012712	Harness, Circulator, 60"	1
NS	14695074	Screw, #10 For Junction Box	2
NS	206000021	Panel Hole Plug Bushing	3

NS = Not Shown

HEAT EXCHANGER BLOCK AND INSULATION

UH15B-095K/4 SECTION/SHOWN



Item	Part No.	Description	Qty.
1	240012766	Heat Exchanger Block Insulation Wrap (060)	1
	240012767	Heat Exchanger Block Insulation Wrap (095)	1
	240012768	Heat Exchanger Block Insulation Wrap (120)	1
	240012769	Heat Exchanger Block Insulation Wrap (150)	1
	240012770	Heat Exchanger Block Insulation Wrap (175)	1
	240012771	Heat Exchanger Block Insulation Wrap (205)	1
	240012772	Heat Exchanger Block Insulation Wrap (235)	1
2	912000105	Tested Block 3 Section (060)	1
	912000106	Tested Block 4 Section (095)	1
	912000107	Tested Block 5 Section (120)	1
	912000108	Tested Block 6 Section (150)	1
	912000109	Tested Block 7 Section (175)	1
	912000110	Tested Block 8 Section (205)	1
	912000111	Tested Block 9 Section (235)	1
**3	240012748	Rear Insulation Board (060)	1
	240012749	Rear Insulation Board (095)	1
	240012750	Rear Insulation Board (120)	1
	240012751	Rear Insulation Board (150)	1
	240012752	Rear Insulation Board (175)	1
	240012753	Rear Insulation Board (205)	1
	240012754	Rear Insulation Board (235)	1
4	109010249	Base Liner (060,095)	1
	109010250	Base Liner (120)	1
	109010251	Base Liner (150)	1
	109010252	Base Liner (175)	1
	109010253	Base Liner (205,235)	1
5	109010447	Base (060,095)	1
	109010448	Base (120)	1
	109010449	Base (150)	1
	109010450	Base(175)	1
	109010451	Base (205,235)	1
6	109010452	Baffle (095)	1
	109010453	Baffle (120)	1
	109010454	Baffle (150)	1
7	201000159	Screw Block to Base 5/16"x1-1/4"	4
8	HW-008.01	Washer 5/16"	4
9	14695074	SCR,10x1/2,TYPE AB,SLT,HWH,SZN	2

When evaluating HTEX block replacement, please review insulation parts if needed

****Note:** Rear Insulation Board shall be secured in place using 400°F Silicone.

CONVERSION KITS

NATURAL GAS TO PROPANE (LP) CONVERSION KIT	
Part No.	Description
550003778	Kit, Conversion, Natural to LP (All Sizes)

LP TO NATURAL GAS CONVERSION KIT	
Part No.	Description
550003884	Kit, Conversion, LP to Natural (All Sizes)



2201 Dwyer Avenue, Utica, NY 13501
Tel. 800 325 5479
www.ecrinternational.com

All specifications subject to change without notice.
©2021 ECR International, Inc.