



**Models**  
**SFH-3085**  
**SFH-3100**  
**SFH-4100**  
**SFH-4125**  
**SFH-4145**  
**SFH-5160**  
**SFH-5185**  
**SFH-6175**  
**SFH-6210**

# **STARFIRE IV SERIES 4**

## **WATER OIL FIRED CAST IRON BOILER**

### **PARTS AND OPTIONAL ACCESSORIES**

#### Ordering Instructions

Order Parts through your nearest supplier.

When ordering parts, obtain Model Number and Serial Number from data plate on your boiler.

Include following information when ordering.

Part Number \_\_\_\_\_

Part Description \_\_\_\_\_

Boiler Model Number \_\_\_\_\_

Boiler Serial Number \_\_\_\_\_



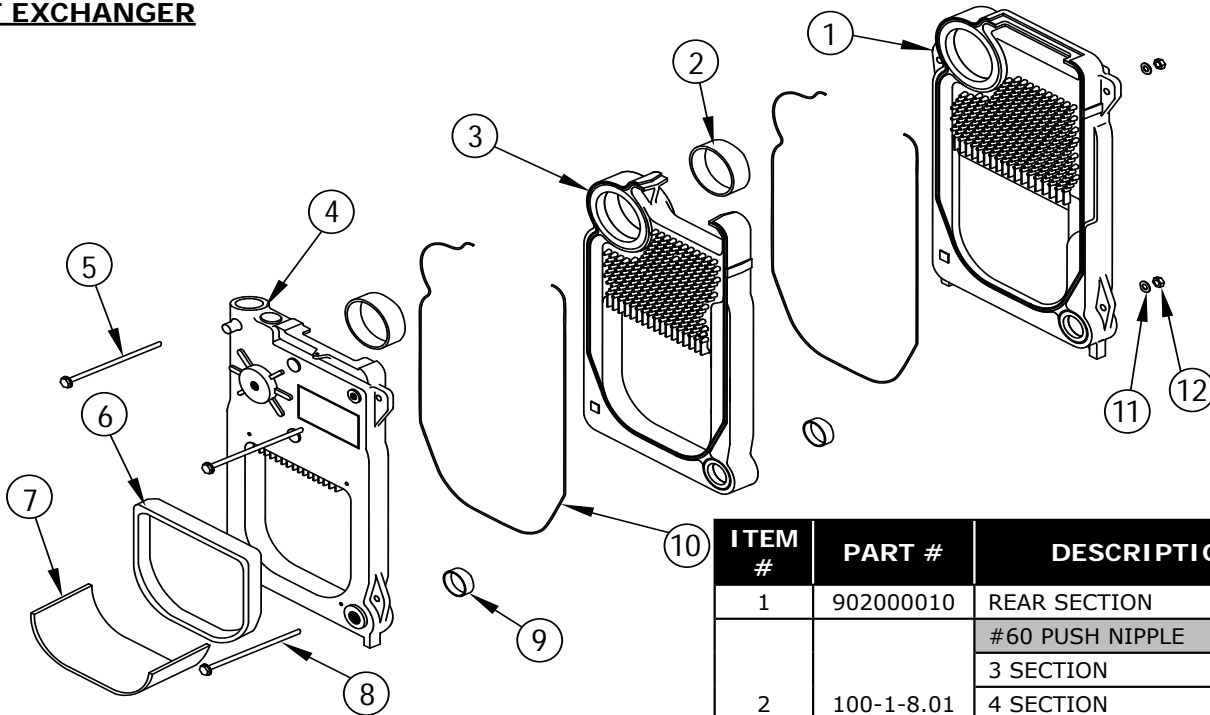
An ISO 9001-2008 Certified Company

**Manufactured by:**  
**ECR International, Inc.**  
2201 Dwyer Avenue, Utica NY 13501  
web site: [www.ecrinternational.com](http://www.ecrinternational.com)

P/N 240009736, Rev. C [02/2013]

## REPLACEMENT PARTS

### HEAT EXCHANGER

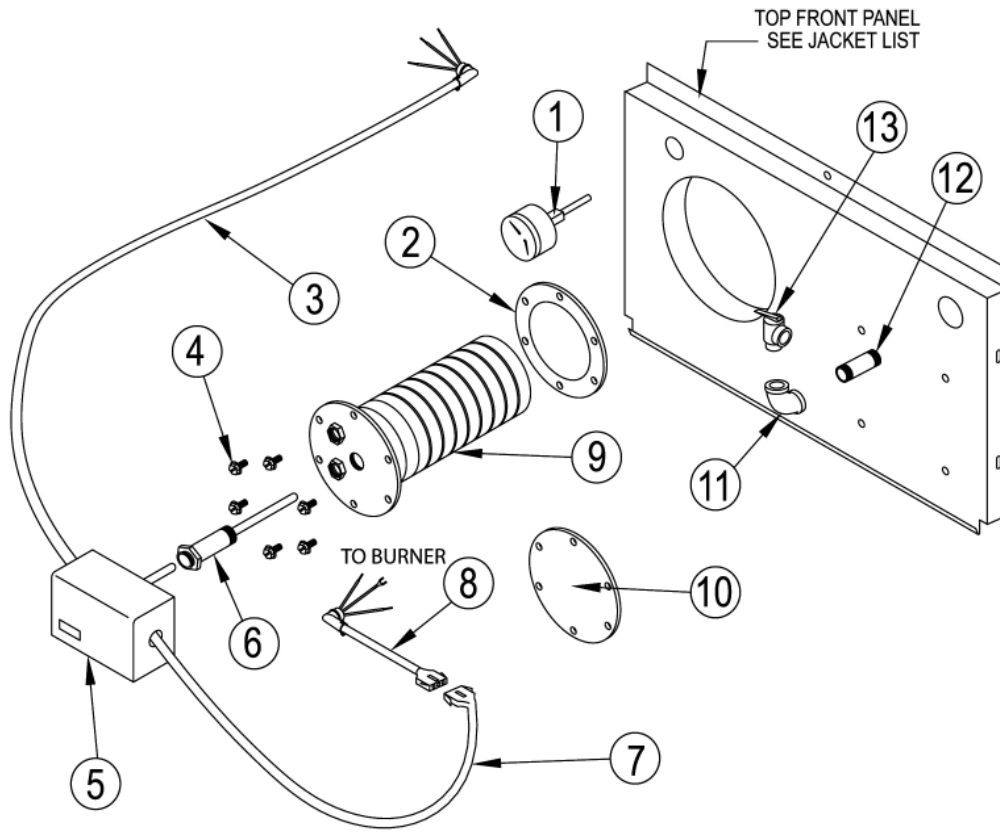


FULLY ASSEMBLED HEAT EXCHANGERS	
912000039	3 SECT. TNKLS W/O COIL
912000043	4 SECT. TNKLS W/O COIL
912000047	5 SECT. TNKLS W/O COIL
912000051	6 SECT. TNKLS W/O COIL
912000040	3 SECT. WITH TANKLESS COIL
912000044	4 SECT. WITH TANKLESS COIL
912000048	5 SECT. WITH TANKLESS COIL
912000052	6 SECT. WITH TANKLESS COIL
912000038	3 SEC. WITH CAST OVER
912000042	4 SEC. WITH CAST OVER
912000046	5 SEC. WITH CAST OVER
912000050	6 SEC. WITH CAST OVER

ITEM #	PART #	DESCRIPTION	QTY
1	902000010	REAR SECTION	1
2	100-1-8.01	#60 PUSH NIPPLE	
		3 SECTION	2
		4 SECTION	3
		5 SECTION	4
		6 SECTION	5
3	902000009	CENTER SECTION	
		3 SECTION	1
		4 SECTION	2
		5 SECTION	3
4	902000007	FRONT SECT. CASTOVER	1
	902000008	FRONT SECT. TANKLESS COIL	
5	HW02510	TIE ROD 1/2 X 10 5/8 (3 SEC)	2
	HW02511	TIE ROD 1/2 X 14 1/4 (4 SEC)	
	HW02512	TIE ROD 1/2 X 17 7/8 (5 SEC)	
	HW02514	TIE ROD 1/2 X 21 3/4 (6 SEC)	
6	5611508	KIT - TARGET WALL & INSULATION BLANKET	1
7	25511005	INSUL BLANKET 16X24 (6 SECTION)	1
8	HW-025.01	TIE ROD 1/2 X 12 1/2 (4 SEC)	1
	HW-025.02	TIE ROD 1/2 X 16 1/2 (5 SEC)	
	HW-025.03	TIE ROD 1/2 X 20 1/2 (6 SEC)	
	HW-025.05	TIE ROD 1/2 X 9 (3 SEC)	
9	100-1-5.01	#22 PUSH NIPPLE	
		3 SECTION	2
		4 SECTION	3
		5 SECTION	4
		6 SECTION	5
10	MS-006.00	ROPE MED DENSITY	
		3 SECTION (13')	1
		4 SECTION (19.5')	
		5 SECTION (26')	
		6 SECTION (32.5')	
11	HW-008.03	WASHER 1/2 ID FLAT	3
12	HW-003.05	NUT 1/2-13 HEX HEAD	3

## REPLACEMENT PARTS

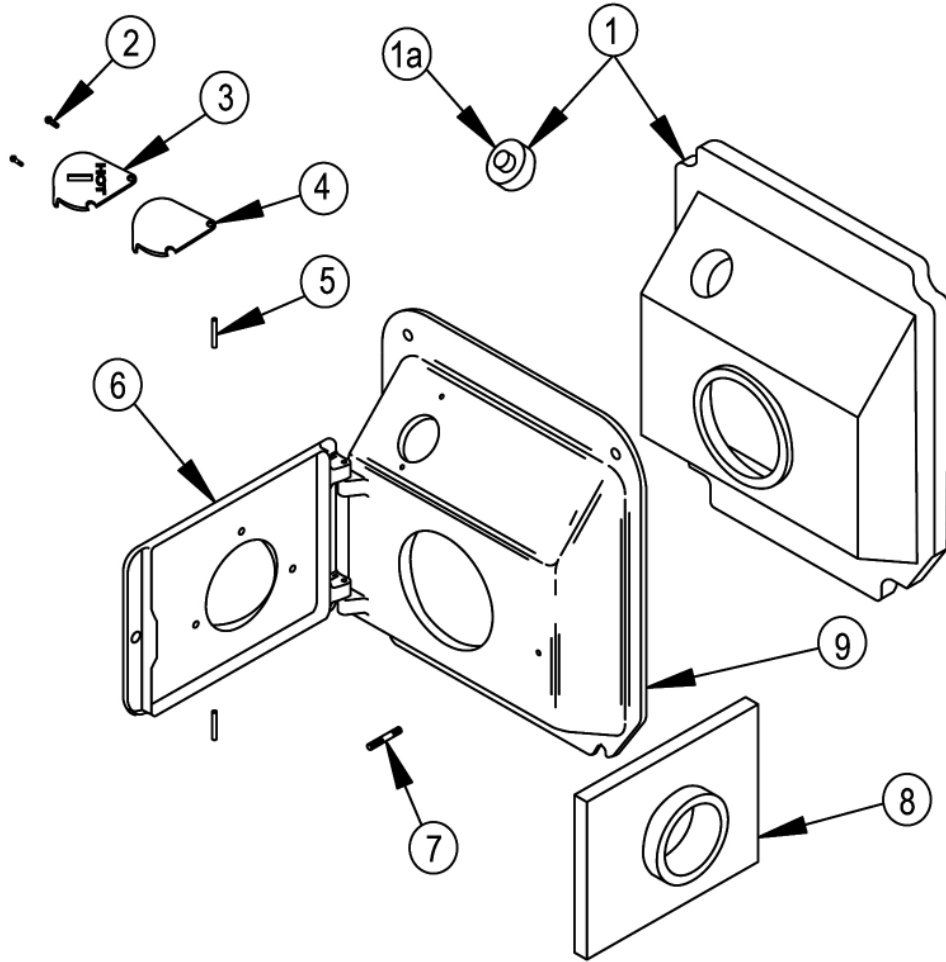
### COIL



ITEM #	PART #	DESCRIPTION	QTY
1	1260006	TEMPERATURE - PRESSURE GAUGE	1
2	240007072	GASKET - SILICON/DURO 70	1
3	37519501	HARNESS CIRCULATOR 72"	1
4	HW08001	BOLT 5/16" X 3/4"	6
5	240009128	LIMIT, HONEYWELL L7248L (FOR BOILERS WITHOUT A TANKLESS COIL)	1
	AQ-010.00	CONTROL L8124A (FOR BOILERS WITH A TANKLESS COIL)	1
5a	240007686	SENSOR HONEYWELL 50001464-001	
6	AQ-020.01	WELL	1
7	2851401	HARNESS CTRL BOX (BECKETT BURNERS)	1
8	1263013	HARNESS, BURNER (BECKETT BURNERS)	1
9	5612001	TANKLESS COIL KIT P3 (FOR 3 SECTION BOILERS)	
	5612002	TANKLESS COIL KIT T4 (4, 5, 6 & 7 SECT. BOILERS)	
<b>(ABOVE KITS INCLUDE ITEM NOS. 2, 4 AND THE APPROPRIATE COIL)</b>			
10	27511401	TANKLESS - COVER KIT	1
		(KIT INCLUDES ITEM NOS. 2, 4 AND COVER PLATE)	
11	1190001	PIPE FIT ELBOW 3/4" NPT	1
12	1310001	PIPE FIT - NPL 3/4" X 4" NPT	1
13	VR-001.01	SAFETY RELIEF VALVE 30#, CONBRACO 16-407-05	1
NOT SHOWN	550001908	GASKET REPLACEMENT KIT (INCLUDES ITEMS #2 & #4)	1

REPLACEMENT PARTS

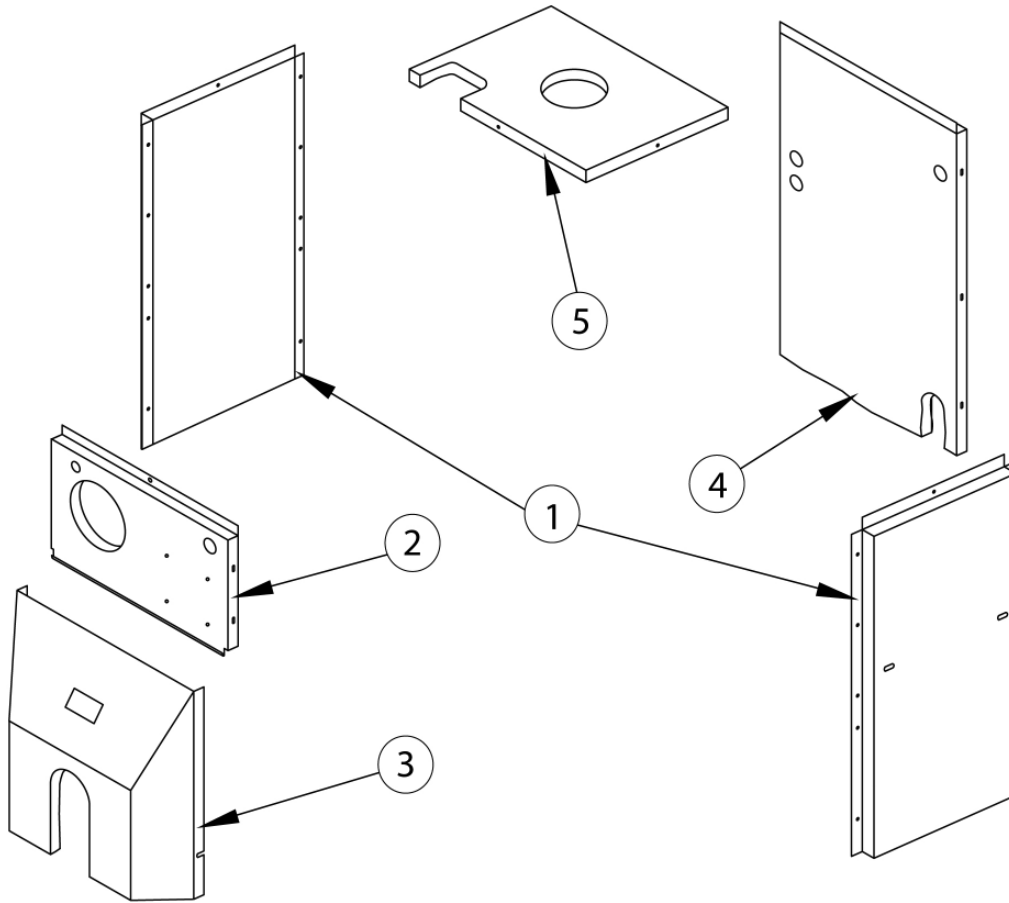
SWING DOOR AND MOUNTING DOOR COMPONENTS



ITEM #	PART #	DESCRIPTION	QTY
1	2552901	MOUNTING DOOR INSULATION & PLUG	1
2	HW-005.01	SCREW 1/4-20X1/2 SELF TAPPING	2
3	10011701	OBSERVATION DOOR	1
4	25511101	OBS. DOOR GASKET	1
5	HW06801	1/4X1.3/4 DRIVE LOCK PIN	2
6	10011501	SWING DOOR	1
7	HW06701	5/16X18X2.3/8 STUD	1
8	2553303	INSULATION-SWING DOOR (BECKETT BURNERS)	1
9	10011301	MOUNTING DOOR	1

REPLACEMENT PARTS

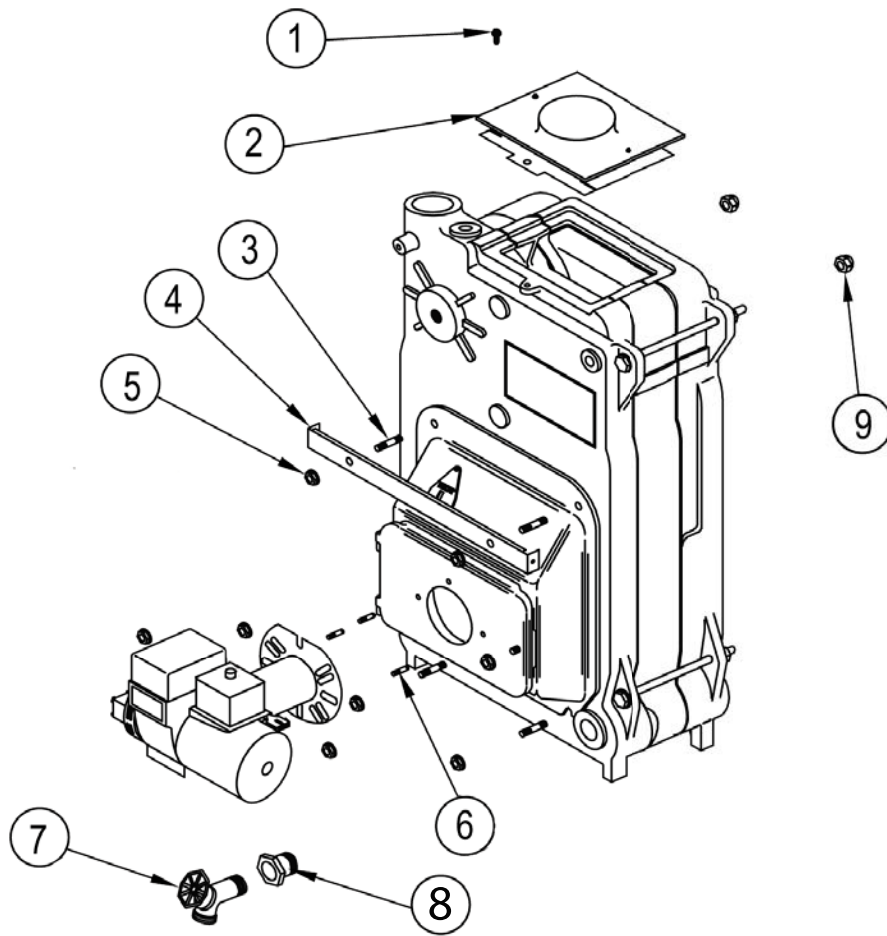
JACKET



ITEM #	PART #	DESCRIPTION	QTY
1	21521802	SIDE PANEL 3 SECTION	2
	21521803	SIDE PANEL 4 SECTION	
	21521804	SIDE PANEL 5 SECTION	
	21521805	SIDE PANEL 6 SECTION	
2	21522401	TOP FRONT PANEL C/O	1
	21522402	TOP FRONT PANEL TNKLS COIL (SHOWN)	
3	21521901	LOWER COWL	1
4	21521501	REAR PANEL	1
5	215-1-3.02	TOP PANEL 3 SECTION	1
	215-1-3.03	TOP PANEL 4 SECTION	
	215-1-3.04	TOP PANEL 5 SECTION	
	2151307	TOP PANEL 6 SECTION	

## REPLACEMENT PARTS

### HARDWARE



ITEM #	PART #	DESCRIPTION	QTY
1	HW-005.01	SCREW 1/4-20X1/2 SELF TAP	1
2	2452902	FLUE COLLECTOR ASSY (4 SECT)	1
	2452903	FLUE COLLECTOR ASSY (5 SECT)	
	2452906	FLUE COLLECTOR ASSY (3 SECT)	
	2452907	FLUE COLLECTOR ASSY (6 SECT)	
3	HW06701	STUD 5/16"-18 X 2 <sup>3</sup> / <sub>8</sub> "	4
4	2252501	SUPPORT JACKET BRACKET	1
5	1330001	NUT 5/16-18 WISLOCK	8
6	HW07001	STUD 5/16"-18 X 1 <sup>1</sup> / <sub>8</sub> "	3
7	240009323	DRAIN LONG	1
8	1060003	PIPE FIT BUSHING 1 <sup>1</sup> / <sub>4</sub> " X <sup>3</sup> / <sub>4</sub> "	
9	HW06401	NUT - ACORN 1/2"-13 UNC YELLOW	2

**REPLACEMENT PARTS**

**BURNER COMPONENTS**

ITEM #	PART #	DESCRIPTION	QTY
1	240009743	BURNER OIL, SFH-3085, BCV	1
	240009744	BURNER OIL, SFH-3100, BCV	
	240009745	BURNER OIL, SFH-4100, BCV	
	240009746	BURNER OIL, SFH-4125, BCV	
	240009747	BURNER OIL, SFH-4145, BCV	
	240009748	BURNER OIL, SFH-5160, BCV	
	240009749	BURNER OIL, SFH-5185, BCV	
	240009750	BURNER OIL, SFH-6175, BCV	
	240009751	BURNER OIL, SFH-6210 BCV	
2	BN08001	BURNER OIL FLANGE GASKET #3616	1
	30A055901	GASKET OB MT FLG #3416	1
3	CD-001.01	CAD CELL	1
4	240008816	CONTROL 7505B1500 (FOR BOILERS WITH BECKETT BURNERS ONLY)	
5	14619244	NOZZLE (BECKETT) 0.75-60°B SFH-3085	1
	14619024	NOZZLE (BECKETT) 0.85-60°B SFH-3100 - SFH4100	
	1320024	NOZZLE (BECKETT) 1.10-60°B SFH-4125	
	14619294	NOZZLE (BECKETT) 1.25-60°B SFH-4145	
	240009766	NOZZLE (BECKETT) 1.35-70°B SFH-5160	
	1320001	NOZZLE (BECKETT) 1.50-70°B SFH-5185	
		NOZZLE (BECKETT) 1.50-70°B SFH-6175	
	14619019	NOZZLE (BECKETT) 1.75-70°B SFH-6210	

<b>BECKETT AFG BURNER PARTS</b>	
PART #	DESCRIPTION
29688	FUEL PUMP, 1 STAGE, 140 PSI, AFG, 2184404U
1250002	BURNER GASKET
1050008	MOTOR
1050007	TRANSFORMER

<b>BECKETT AFG RERATE KITS</b>	
PART #	DESCRIPTION
550002372	SFH-3085/3100
550002373	SFH-4100/4125/4145
550002374	SFH-5160/5185
550002687	SFH-6175/6210



**UTICA BOILERS**  
2201 Dwyer Avenue  
Utica NY 13501

---

web site: [www.ecrinternational.com](http://www.ecrinternational.com)