

BC & OBC SERIES BOILERS

P/N# 240006452, Rev. 1.0 [11/06]

These instructions are in addition to the following Installation Manuals:
2761101 rev 7.1, 2761401 rev 8.1 and 2761501 rev 8.1

These instructions document the Riello burner application to the BC and OBC boilers.

SUPPLEMENTAL INSTRUCTIONS

Boiler Ratings							
Model No.	I=B=R Oil Burner Input		D.O.E. Heating Capacity	I=B=R Net Ratings	Minimum Natural Draft Chimney Size		AFUE
	G.P.H	MBH	MBH	Water MBH	Round (in.)	Square (in.)	Rating
BC3D	0.77	107	93	75	6	8x8x15	86.0
BC3	1.00	140	118	103	6	8x8x15	80.0
BC4D	1.00	140	120	104	6	8x8x15	86.0
BC4	1.40	196	165	143	6	8x8x15	81.0

Riello Burner Setups							
Model No.	Burner Model	Comb Head	Comb Head Setting	Air Shutter Setting	Specified Nozzle*	Pump Pressure	Derate Kits
BC3D	40 F5	SBT	0.0	1.60	.65 x 60 W	150	550001616
BC3	40 F5	SBT	1.0	2.60	.85 x 60 W	150	N/A
BC4D	40 F5	SBT	2.0	2.00	.85 x 60 W	150	550001617
BC4	40 F5	SBT	3.5	3.00	1.10 x 60 W	150	N/A

Note: The above charts are for setting the burner to a starting point only. The burner and appliance must be properly set up using proper testing equipment.

*Specified nozzles are Delevan.

IMPORTANT

Burner Insertion Depth is 4³/₄".

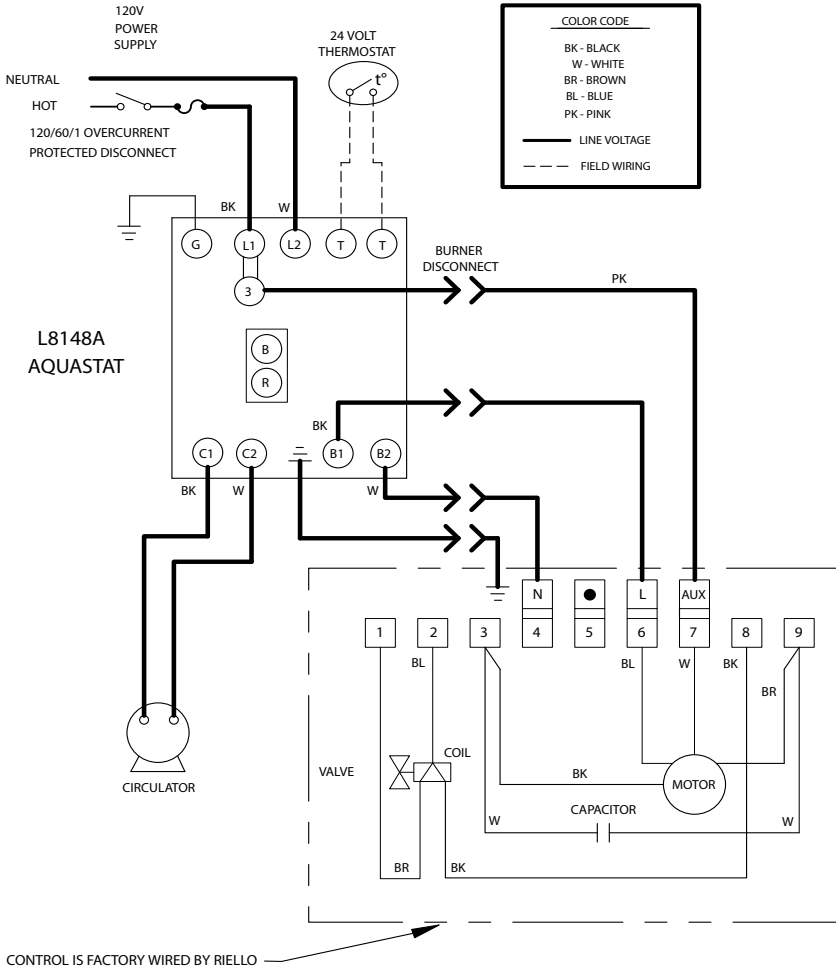
SUPPLEMENTAL INSTRUCTIONS BC / OBC BOILE

RIELLO Burner Replacement Parts List

Part Number	Description	Quantity
240006431	Nozzle .85 x 60 W (BC3 & BC3T only)	1
1320012	Nozzle 1.10 x 60 W (BC4 & BC4T only)	1
30A064701	BRN PUMP DRIVE KEY RIELLO	1
30A064801	BRN PRIMARY CONTROL 530SE RIELLO	1
30A064901	BRN COIL RIELLO	1
30A065101	BRN MOTOR RIELLO	1
30A065201	BRN CAPACITOR 12.5 RIELLO	1
30A065301	BRN ELECTRODE PORCELEAN REILLO	1
30A065401	BRN PUMP REILLO	1
30A065501	BRN HYDRAULIC JACK REILLO	1
30A065601	BRN O-RING PUMP PRESS REILLO	1
30A065701	BRN PHOTO CELL RIELLO	1

SUPPLEMENTAL INSTRUCTIONS BC / OBC BOILE

Electrical Wiring Diagram Wiring Without Tankless Coil



SUPPLEMENTAL INSTRUCTIONS BC / OBC BOILE

Electrical Wiring Diagram Wiring With Tankless Coil

