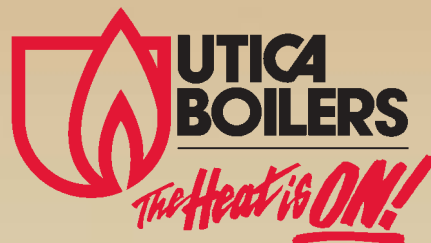


Cast Iron Gas-Fired Steam Boilers

Quality Engineered for Efficiency and Dependability

PEG-C Series



PEG-C Series

Gas-Fired/Steam

Meeting The Comfort Demands Of A Steam Heated Home

The PEG-C boiler represents the finest in steam boiler construction and cost saving technologies. Utica Boilers has been designing and manufacturing steam-heating equipment since 1928, making each Utica boiler a solid investment. Available in six sizes with efficiencies up to 82%, the PEG-C is the ideal replacement or upgrade for homeowners interested in comfort, economy and years of worry-free performance.

Quality Cast Iron Construction

The PEG-C utilizes cast iron construction because of its durability and efficient heat transfer capabilities. Cast iron sections and push nipples are an integral part of each PEG-C heat exchanger. Using only the highest quality cast iron and heat transfer designs, the PEG-C will provide many years of efficient and trouble-free operation.



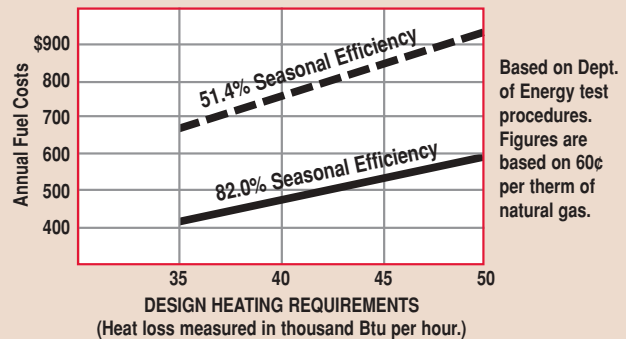
Low Profile Design

The PEG-C boiler is compactly designed with a low profile draft hood allowing installation in areas with low ceilings.

High Energy Efficiency and Lower Heating Costs

With efficiency ratings as high as 82%, the PEG-C provides increased energy savings resulting in lower fuel bills. With the potential cost savings this represents, the PEG-C boiler can pay for itself in a few short years.

Compare The Difference High Efficiency Makes



This graph illustrates the difference in annual operating costs between boilers with higher and lower efficiencies. Boilers installed years ago have seasonal efficiencies as low as 50%. So, your savings in fuel dollars with the Utica Boilers's PEG-C boiler can repay its installed cost in a few short years!

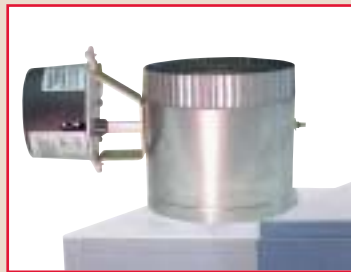
Stainless Steel Burners

Advanced design corrosion resistant stainless steel burners are incorporated into each PEG-C boiler delivering uniform flame patterns that optimize combustion efficiency and quiet operation.

Fuel Saving Components

Advanced engineering can be found in every part of a PEG-C boiler. An optional “on-demand” ignition control eliminates wasted fuel associated with a continuously burning pilot light.

In addition, an integrated automatic vent damper closes when the burner shuts off, preventing heat from leaving through the chimney saving fuel and heating costs.



Factory Tested, Ready to Install

Following a series of rigorous tests, each PEG-C boiler leaves Utica Boilers as a completely packaged and crated unit — ready to install and fire.

Built-In Safety Devices



aiding in preventing a “dry-firing” and potential boiler failure. In addition, two thermally activated safety sensors automatically shut off the gas burners should the chimney or heat exchanger



The PEG-C is equipped with a number of safety devices that protect your family. A low water cut-off constantly monitors water levels,



become blocked. No guess work when your safety is concerned.

Manufacturer’s Warranty

The Utica Boilers PEG-C is covered by a manufacturer’s 10-year warranty for residential installations. In addition, your heating system is backed by an American commitment to quality that is synonymous with the Utica Boilers name. Should it be necessary, repair and service parts are readily available through our nationwide distribution network.

Key PEG-C Boiler Features

- Cast Iron Sections
- Corrosion Resistant Stainless Steel Burners
- Water-Tight Cast Iron Push Nipples
- Standard or Electronic Ignition
- 112,500-299,999 BTU/h input
- Integral Draft Hood, Natural Draft Conventional Chimney Vented
- Natural Gas or Propane

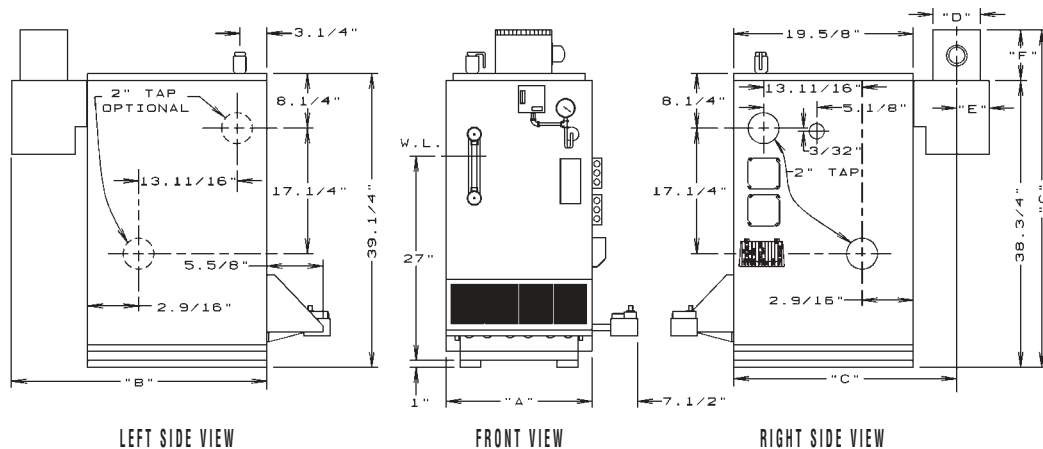
PEG-C Series *Natural Gas Steam Boilers*

BOILER NUMBER	*A G A INPUT BTU/HR.	HEATING CAPACITY BTU/HR.	NET I=B=R STEAM RATING BTU/HR	SQ. FT.	GAS INLET SIZE	DIMENSIONS							ANNUAL FUEL UTILIZATION EFFICIENCY (AFUE)	
						A	B	C	D	E	F	G	ELECT. IGN. & DAMPER	STD. PILOT & DAMPER
PEG112C	112,500	90,000	67,500	281	1/2	14 ¹ / ₄	27 ⁵ / ₈	24 ¹ / ₂	5	3 ¹ / ₂	6	44 ³ / ₄	82.0	78
PEG150C	150,000	120,000	90,000	375	1/2	17 ⁵ / ₈	28 ⁵ / ₈	24 ⁵ / ₈	6	4	6 ¹ / ₂	45 ¹ / ₄	82.0	78
PEG187C	187,500	151,000	113,300	472	1/2	20	29 ⁵ / ₈	25 ¹ / ₂	7	4 ¹ / ₂	7	45 ³ / ₄	82.0	78
PEG225C	225,000	181,000	135,800	556	3/4	22 ¹³ / ₁₆	30 ⁵ / ₈	25 ⁵ / ₈	8	5	8	46 ³ / ₄	82.0	78
PEG262C	262,500	212,000	159,000	663	3/4	25 ⁵ / ₈	30 ⁵ / ₈	25 ⁵ / ₈	8	5	8	46 ³ / ₄	82.0	78
PEG300C	299,999	243,000	182,300	760	3/4	28 ⁵ / ₈	31 ⁵ / ₈	26 ¹ / ₂	9	5 ¹ / ₂	10	48 ³ / ₄	81.0	78

*NOTE: For altitudes above 2,000 ft., ratings should be reduced at the rate of 4% for each 1,000 ft. above sea level.

STANDARD EQUIPMENT: Crated Cast Iron Boiler, Drafthood, Low Water Cut-off (Probe Type), Deluxe Jacket, Wiring, Automatic Vent Damper, Stainless Steel Burners, Blocked Vent and Roll-out Safety Switches, Gas Valve, Pilot, Pressure High Limit Control, Pressure Gauge, Gauge Glass, 2-2" Supply Tappings, 2-2" Return Tappings - L.H. Plugged. Packed in a separate carton: Pop Safety Valve and Boiler Drain. Stack Damper shipped in separate cartons within the crate on all models except PEG300C.

Dimensions



Explanation Notes

The Ratings marked "Net I=B=R Ratings" indicate the amount of equivalent direct cast iron radiation each boiler will take care of under normal conditions and thermostatic control. The Net I=B=R Steam Ratings shown are based on a piping and pickup allowance of 1.333. Proper allowance has been made for piping and pickup in accordance with the factors shown in the I=B=R Standard as published by The Hydronics Institute.

Selection of boiler size should be based on the net BTU per hour output of the connected radiation and system piping.

The manufacturer should be consulted before selecting a boiler for installations having unusual piping and pickup requirements, such as intermittent system operation, extensive piping systems, etc.

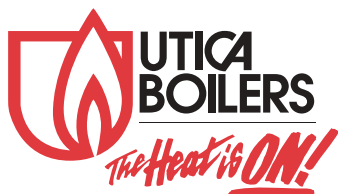
Specifications and dimensions are subject to change without notice.

Your Assurance of Quality

Utica Boilers products are designed, tested, and assembled to ensure that you get the very best in home heating and cooling comfort, and value. Each one meets or exceeds all recognized safety, performance, and efficiency standards.

MEA# 17-79

For more information on Utica Boilers heating and cooling products and systems, contact your local Utica Boilers distributor or call the Utica Boilers Customer Service Department at 1-800-325-5479.



P.O. Box 4729 • Utica, New York 13504
Tel. 315-797-1310 • Fax 866-432-7329
Web Site: www.utica boilers.com
E-mail: sales@utica boilers.com

**USA Homeowner Assistance:
866-847-6656**
**USA Contractor Assistance:
800-325-5479**

An ECR International Brand
ISO 9001-2000 Certified Company



Part # 240005085 Rev. 10/06