



Model
SW3065
SW4100
SW5125

SW SERIES 2

OIL FIRED DIRECT EXHAUST
CAST IRON BOILER

PARTS, KITS AND OPTIONAL ACCESSORIES

Ordering Instructions

Order Parts through your nearest supplier.

When ordering parts, obtain Model Number and Serial Number from data plate on your boiler.

Include following information when ordering.

Part Number _____

Part Description _____

Boiler Model Number _____

Boiler Serial Number _____



An ISO 9001-2008 Certified Company

Manufactured by:

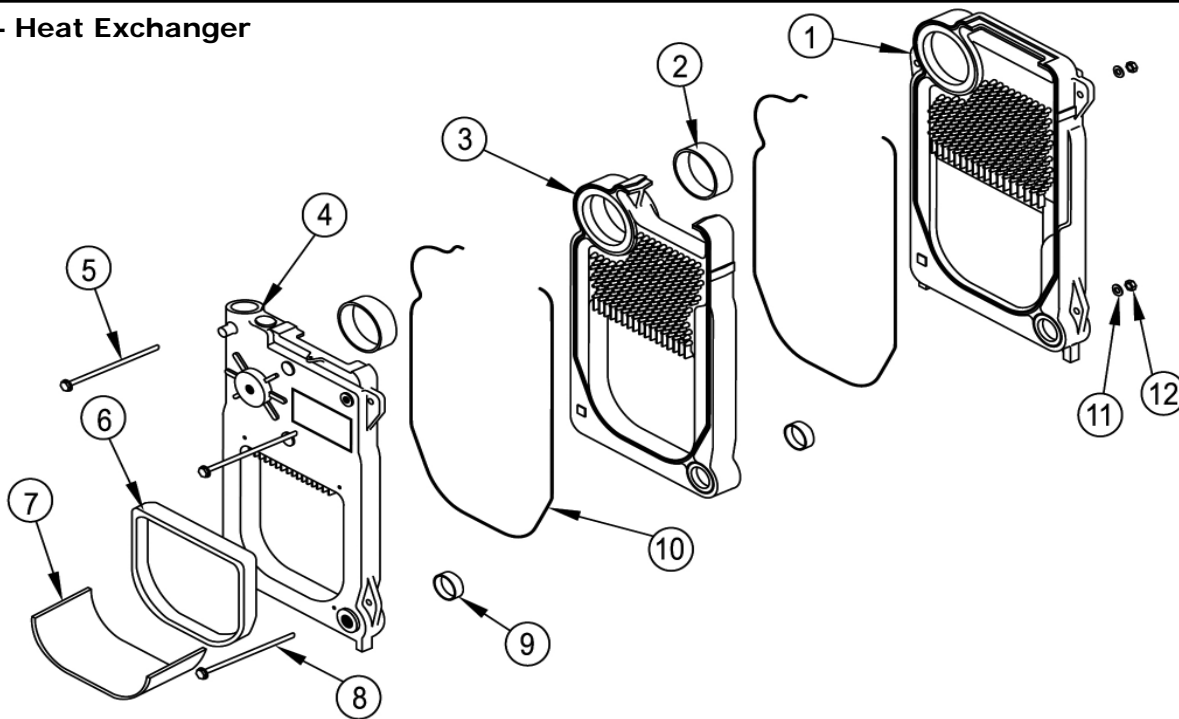
ECR International, Inc.

2201 Dwyer Avenue, Utica NY 13504-4729

web site: www.ecrinternational.com

P/N# 240009677, Rev. B [02/2013]

Figure 16 - Heat Exchanger

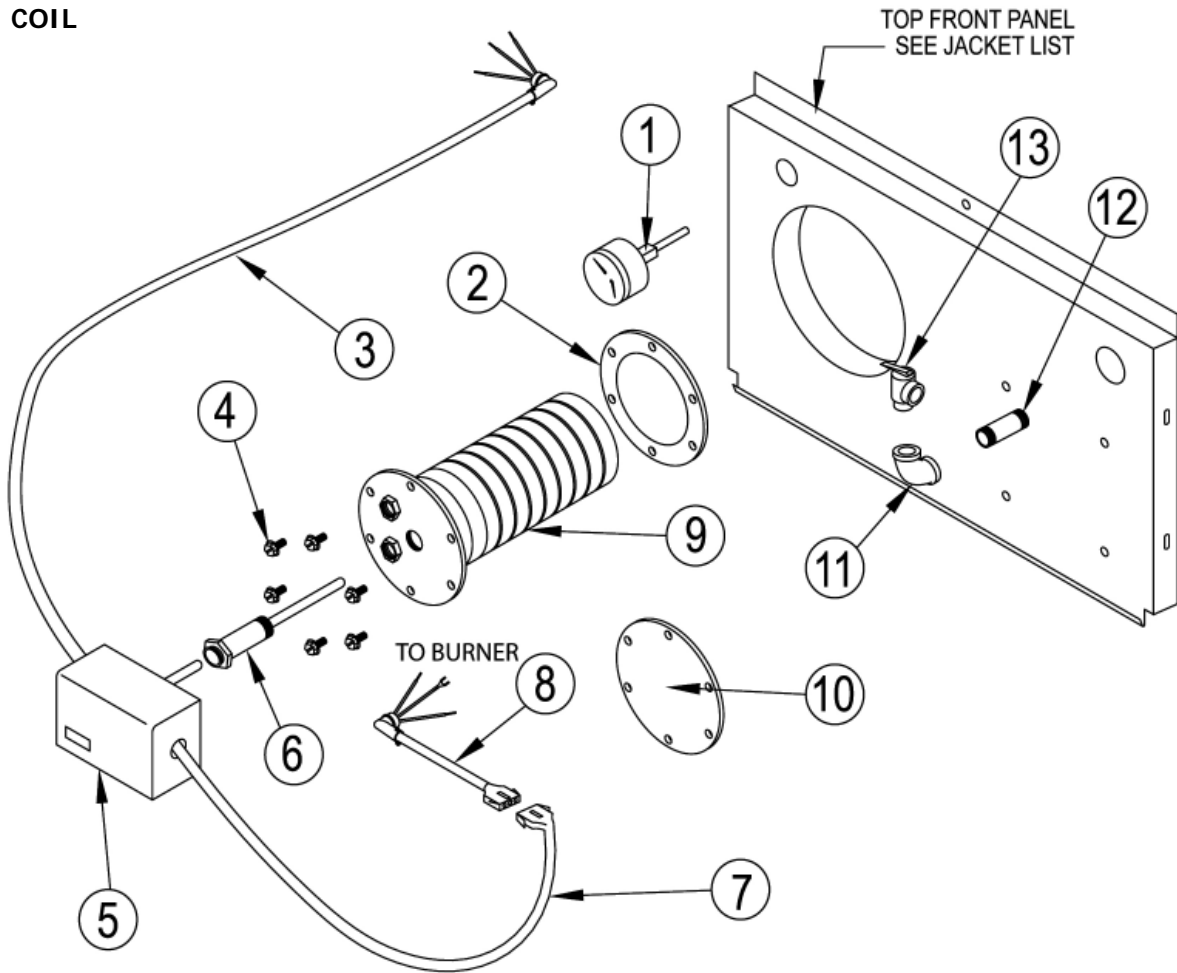


ITEM #	PART #	DESCRIPTION	QTY
1	10051701	REAR SECTION	1
2	100-1-8.01	#60 PUSH NIPPLE	3 Section 2
			4 Section 3
			5 Section 4
3	10051101	CENTER SECTION	3 Section 1
			4 Section 2
			5 Section 3
4	10051801	FRONT SECT. CASTOVER	1
	10051301	FRONT SECT. TANKLESS COIL	1
5	HW02510	TIE ROD 1/2X10% (3 SEC)	2
	HW02511	TIE ROD 1/2X14% (4 SEC)	2
	HW02512	TIE ROD 1/2X17% (5 SEC)	2
6	5611508	KIT - TARGET WALL & INSULATION BLANKET	1
7	N/A	N/A	N/A
8	HW-025.05	TIE ROD 1/2X9 (3 SEC)	1
	HW-025.01	TIE ROD 1/2X12.1/2 (4 SEC)	1
	HW-025.02	TIE ROD 1/2X16 1/2 (5 SEC)	1
9	100-1-5.01	#22 PUSH NIPPLE	3 Section 2
			4 Section 3
			5 Section 4
10	1430001	ROPE MED DENSITY, 84"	3 Section 2
			4 Section 3
			5 Section 4
11	HW-008.03	WASHER 1/2 ID FLAT	3
12	HW-003.05	NUT 1/2-13 HEX HEAD	3

FULLY ASSEMBLED HEAT EXCHANGERS	
PART #	DESCRIPTION
10023701	3 SECT. WITH TANKLESS COIL
10023702	4 SECT. WITH TANKLESS COIL
10023703	5 SECT. WITH TANKLESS COIL
10023601	3 SEC. WITH CAST OVER
10023602	4 SEC. WITH CAST OVER
10023603	5 SEC. WITH CAST OVER

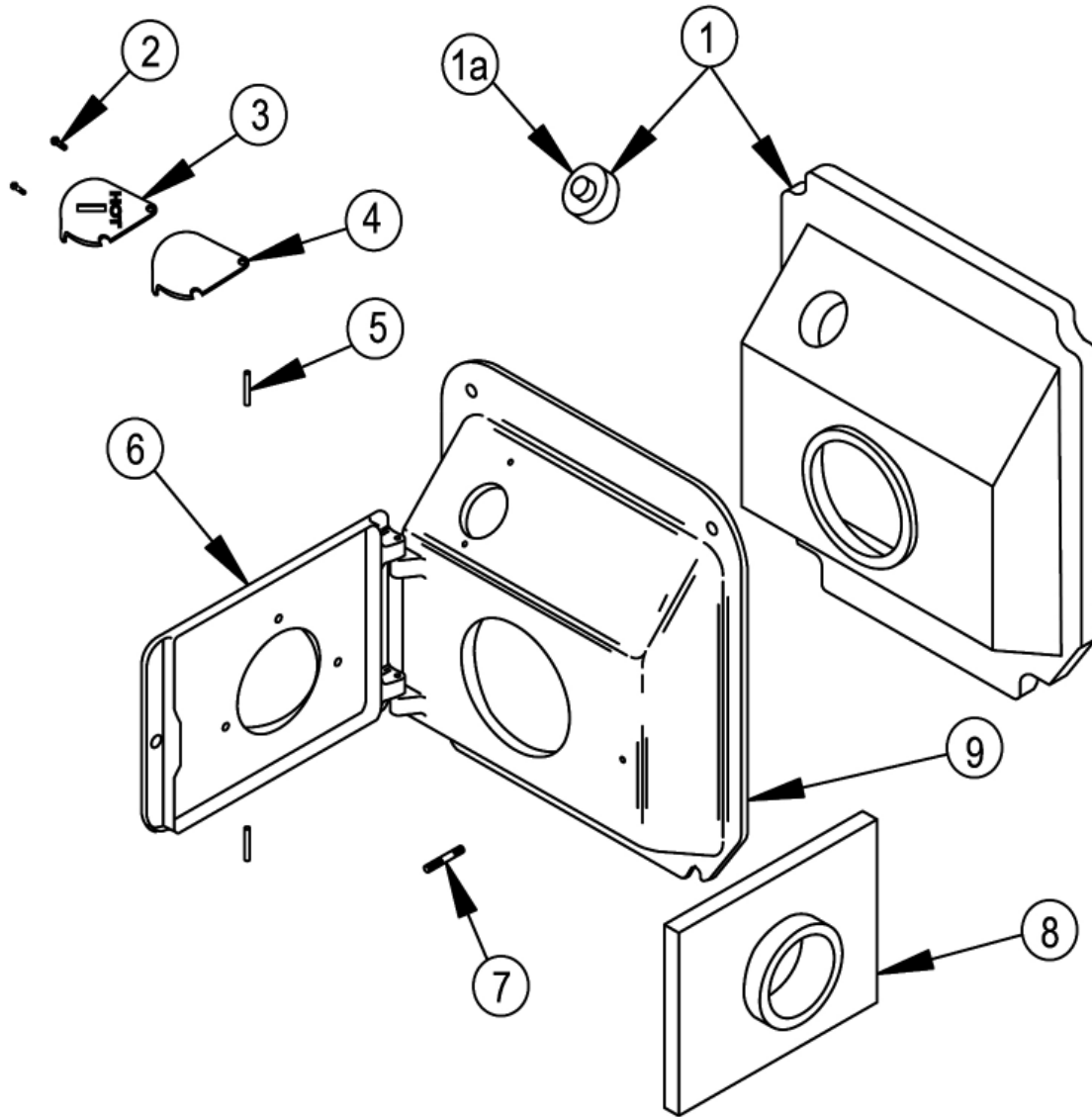
SW SERIES REPLACEMENT PARTS

Figure 17 - COIL



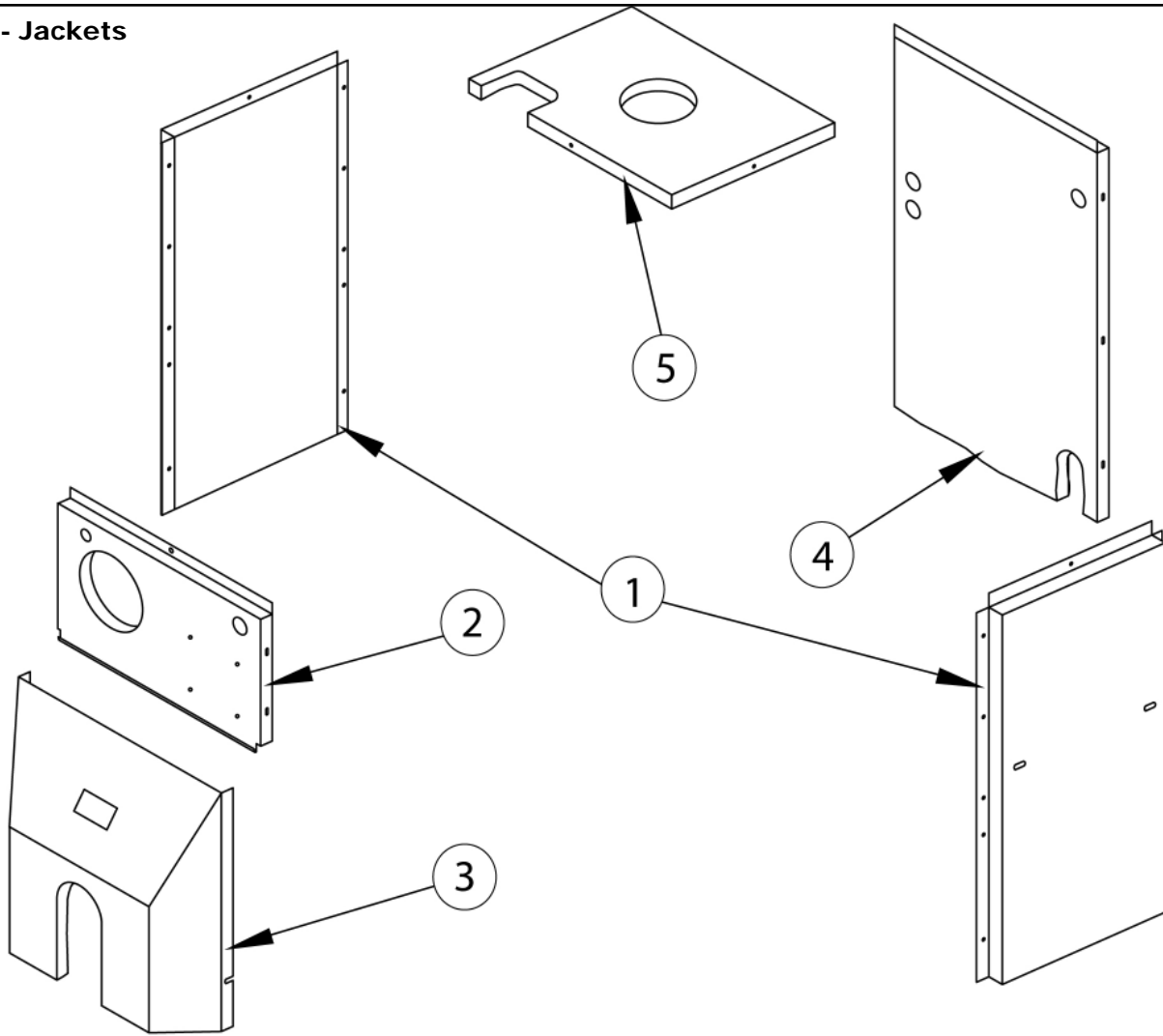
ITEM #	PART #	DESCRIPTION	QTY
1	1260006	GAUGE TEMPERATURE PRESSURE	1
2	240007072	GASKET	1
3	37519501	HARNES CIRCULATOR	1
4	HW08001	SCREW 5/16" X 3/4"	6
5	240009128	CONTROL L7248L (FOR BOILERS WITHOUT A TANKLESS COIL)	1
	AQ-010.00	CONTROL L8124A (FOR BOILERS WITH A TANKLESS COIL)	1
6	AQ-020.01	WELL, 3/4 X 3"	1
7	28512201	HARNES, LIMIT	1
8	28512301	HARNES, BURNER (BECKETT)	1
	1263011	HARNES, BURNER (RIELLO)	1
9	5612001	TANKLESS COIL KIT P3 (FOR 3 SECTION BOILERS)	1
	5612002	TANKLESS COIL KIT T4 (FOR 4 & 5 SECTION BOILERS)	1
10	27511401	TANKLESS - COVER KIT	1
11	1190001	ELBOW 3/4" NPT	1
12	1310001	NPL 3/4" X 4" NPT	1
13	VR-001.01	SAFETY RELIEF VALVE 30#, COMBRACO 10-407-05	1
*	240007686	SENSOR FOR L7248L, HONEYWELL 50001464-001	1
*	NOT SHOWN		

Figure 18 - Swing Door And Mounting Door Components



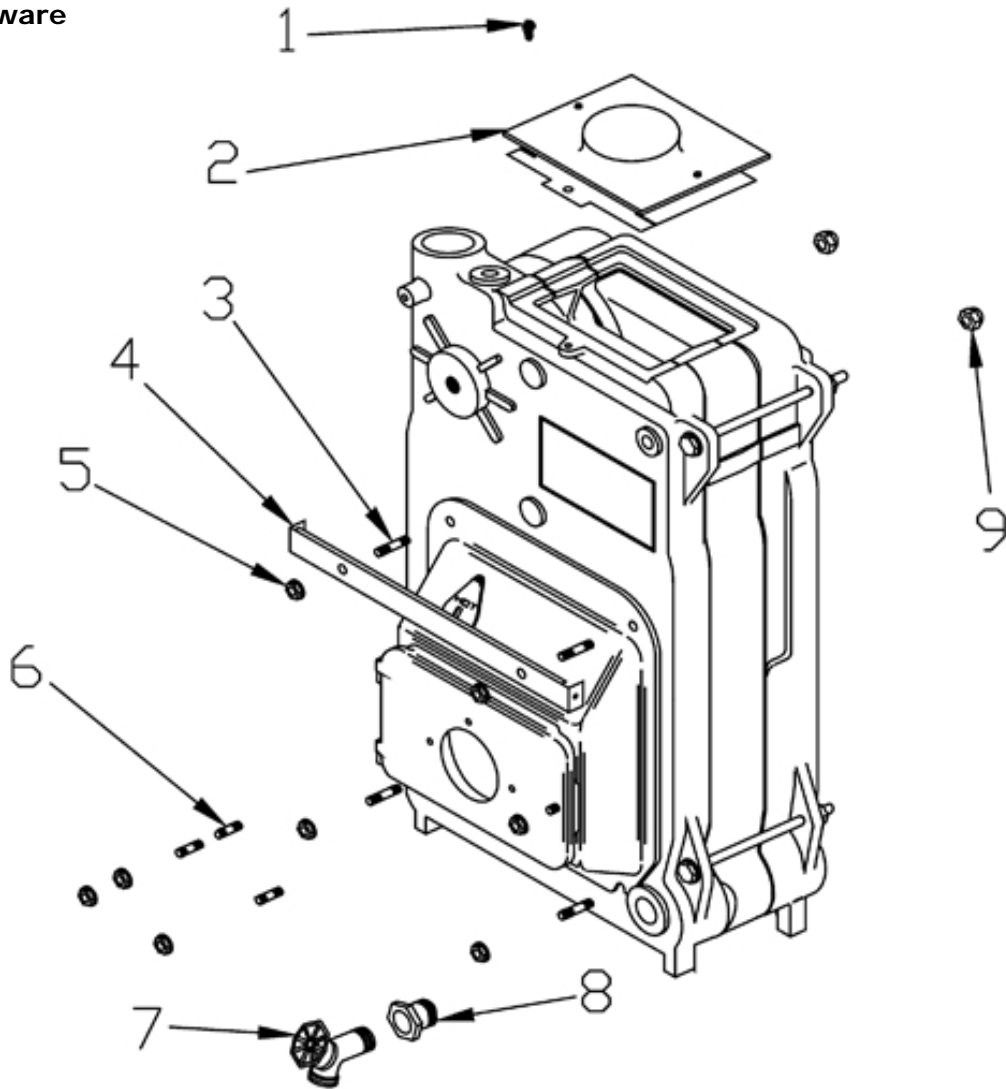
ITEM #	PART #	DESCRIPTION	QTY
1	2552901	MOUNTING DOOR INSULATION & PLUG	1
2	HW-005.01	SCREW 1/4-20X1/2 SELF TAPPING	2
3	10011701	OBSERVATION DOOR	1
4	25511101	OBSERVATION DOOR GASKET	1
5	HW06801	1/4X1.3/4 DRIVE LOCK PIN	2
6	10011501	SWING DOOR	1
7	HW06701	5/16X18X2.3/8 STUD	1
8	2553301	INSULATION-SWING DOOR (FOR BOILERS WITH RIELLO BURNERS ONLY)	1
	2553303	INSULATION-SWING DOOR (FOR BOILERS WITH BECKETT BURNERS ONLY)	1
9	10011301	MOUNTING DOOR	1

Figure 19 - Jackets



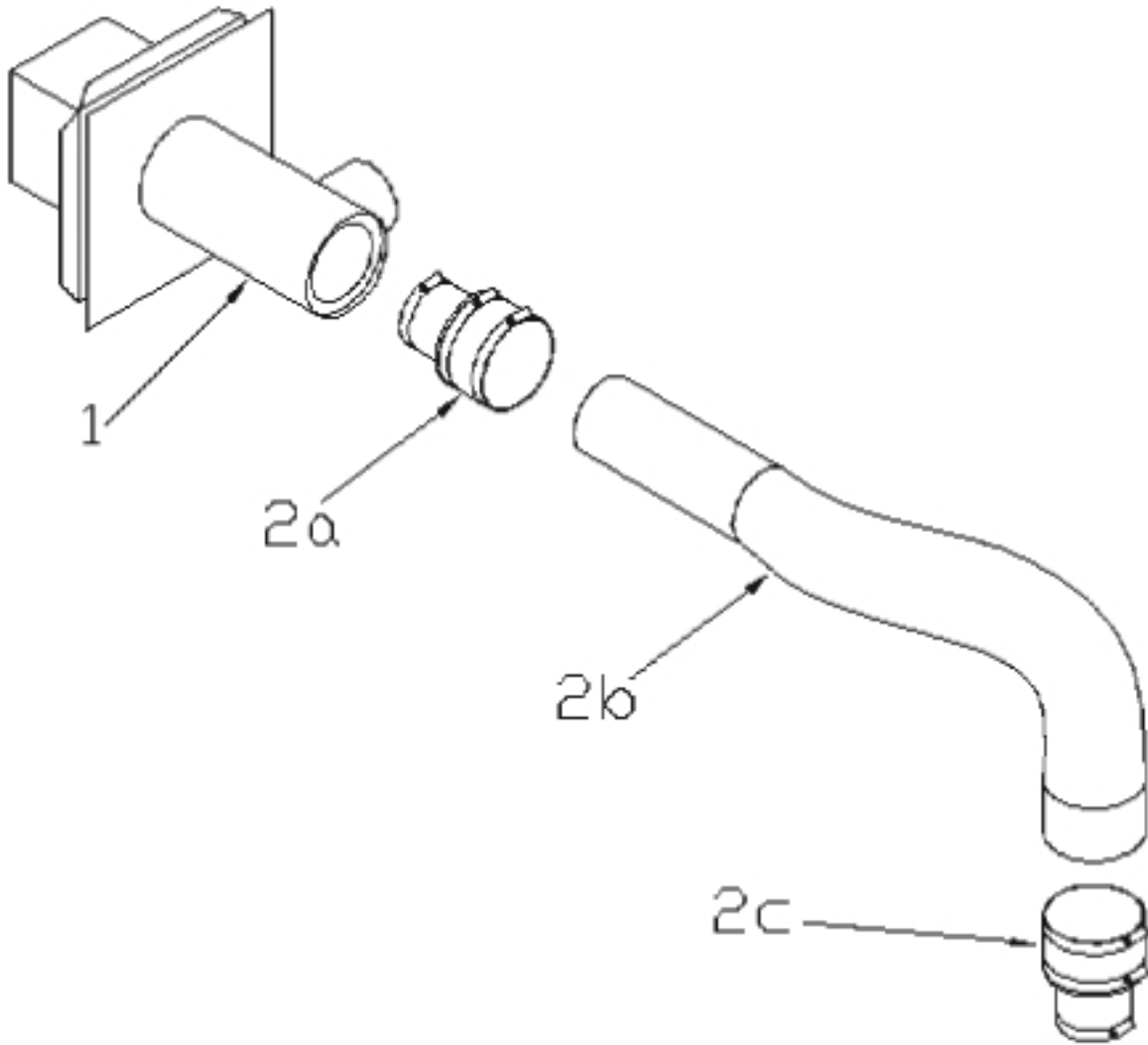
ITEM #	PART #	DESCRIPTION	QTY
1	21521802	SIDE PANEL 3 SECTION	2
	21521803	SIDE PANEL 4 SECTION	2
	21521804	SIDE PANEL 5 SECTION	2
2	21522401	TOP FRONT PANEL C/O	1
	21522402	TOP FRONT PANEL TANKLESS COIL (SHOWN)	1
3	21521901	LOWER COWL	1
4	21521501	REAR PANEL	1
5	215-1-3.02	TOP PANEL 3 SECTION	1
	215-1-3.03	TOP PANEL 4 SECTION	1
	215-1-3.04	TOP PANEL 5 SECTION	1

Figure 20 - Hardware



ITEM #	PART #	DESCRIPTION	QTY
1	HW-005.01	SCREW 1/4-20X1/2 SELF TAP	1
2	550002684	FLUE COLLECTOR ASSY (3 SECT)	1
	550002685	FLUE COLLECTOR ASSY (4 SECT)	1
	550002686	FLUE COLLECTOR ASSY (5 SECT)	1
3	HW06701	STUD 5/16"-18 X 2.3/8"	4
4	2252501	SUPPORT JACKET BRACKET	1
5	1330001	NUT 5/16-18 WISLOCK	8
6	HW07001	STUD 5/16"-18 X 1.3/8"	3
7	240009323	DRAIN VALVE	1
8	1060003	BUSHING 1.1/4" X 3/4"	1
9	HW06401	NUT - ACORN 1/2"-13 UNC YELLOW	2

Figure 21 - Termination Kit Assembly



ITEM #	PART #	DESCRIPTION	QTY
1	28972	TERMINATION 4" FLEX-L CFOLT4C	1
2	240006922	TERM. KIT 4" FLEX-L CFK104-UT INCLUDES A,B,C	A) TERMINAL ADAPTER CFAT44
		B) 10' x 4' VENT KIT CFV104/6	1
		C) APPLIANCE ADAPTER CFAA44P	1

SW SERIES REPLACEMENT PARTS

BURNER COMPONENTS			
ITEM #	PART #	DESCRIPTION	QTY
1	BN08701	BURNER OIL UT1601 AFII 100 (SW3)	1
	BN08702	BURNER OIL UT1602 AFII 100 (SW4)	1
	1050012	BURNER OIL UT1603 AFII 150 (SW5)	1
2	1250002	BURNER OIL FLANGE GASKET #3616	1
	1250001	GASKET OB MT FLG #3416	1
3	CD-001.01	CAD CELL (FOR BOILERS WITH BECKETT ONLY)	1
4	1140003	CONTROL R1784P1031 (HONEYWELL)	1
	240008817	CONTROL 7505P152M (BECKETT)	1
5	NZ01001	NOZZLE .60 45B (SW3) (BECKETT)	1
	NZ01101	NOZZLE .85 45B (SW4) (BECKETT)	1
	1320021	NOZZLE 1.10 45B (SW5) (BECKETT)	1
	1320022	NOZZLE .60 80W (SW3) (RIELLO)	1
	1320023	NOZZLE .80 60W (SW4) (RIELLO)	1
	1320024	NOZZLE 1.10 60B (SW5) (RIELLO)	1
BECKETT AFII BURNER PARTS			
1	RP03801	BLAST TUBE AF2	
2	RP03901	FUEL PUMP AF2 DANFOSS	
3	RP04001	7" DRAWER ASSY AF2	
4	RP04101	OIL BRN TRANSFORMER AF2	
5	RP04201	OIL BRN MOTOR AF2	
6	1402006	FUEL PUMP	
7	RP04401	SOLENOID VALVE COMB.	