

REPAIR PARTS MANUAL

**GAS-FIRED DIRECT VENT CONDENSING
HOT WATER BOILER (125-200 MBH)**



TABLE OF CONTENTS

| | |
|---|----|
| I. Circulator Pumps (Optional) | 2 |
| II. Burner Assembly | 3 |
| III. Boiler Block and Piping Assembly | 4 |
| IV. Jacket and Base Assembly | 6 |
| V. Exhaust Tee and Condensate Trap Assembly | 8 |
| VI. Mixer and Air Pressure Switch Assembly | 9 |
| VII. Flue Adapter and Exhauster Assembly | 10 |

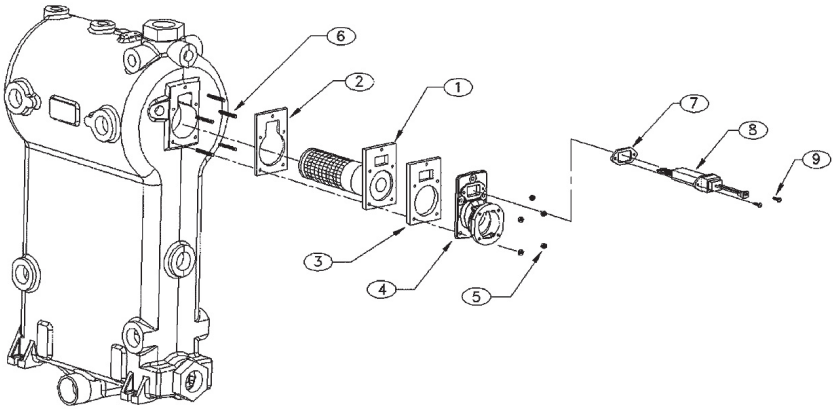
I. CIRCULATOR PUMPS (OPTIONAL)

| PART NO. | DESCRIPTION | QTY. |
|-----------|-------------------------------------|------------------|
| CI-001.01 | Circulator Pump w/Flange, B&G | 1 ^(a) |
| CI-001.03 | Circulator Pump w/Flange, Taco | |
| CI-006.01 | Circulator Pump w/Flange, Grundfos | |
| 14626043 | Ball Valve, 1¼" Set (Male & Female) | 1 ^(b) |

^(a) Please specify pump when ordering. Consult factory for details.

^(b) Not available on all models. Consult factory for details.

II. BURNER ASSEMBLY



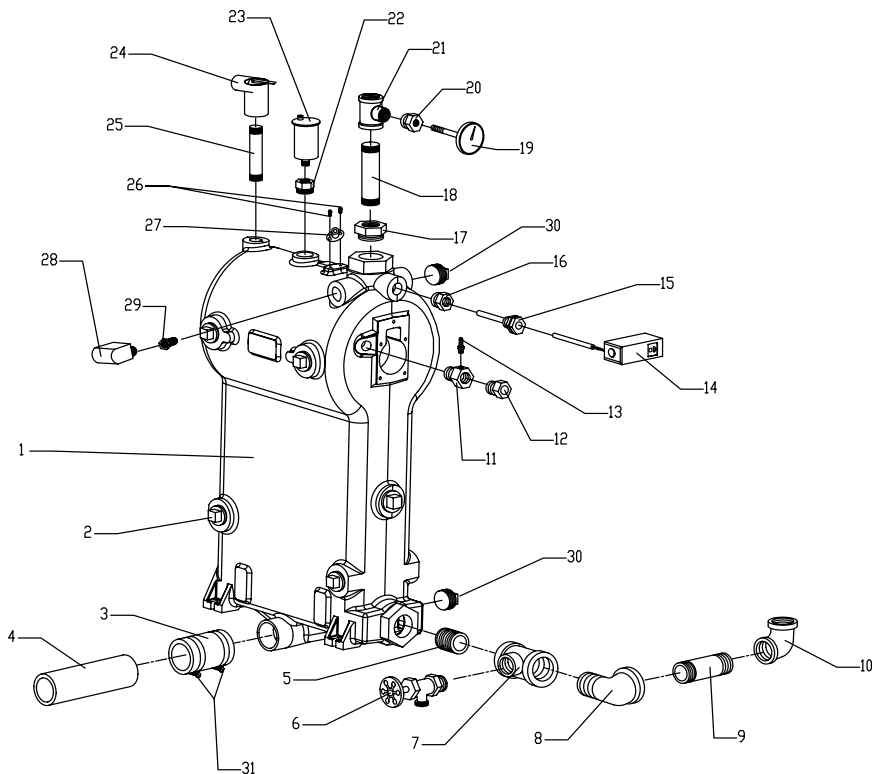
| ITEM | PART NO. | DESCRIPTION | QTY. |
|------|----------|---------------------------------|------|
| 1 | 2272149 | Burner Replacement Kit | 1 |
| 2 | 1250009 | Burner/Casting Gasket | 1 |
| 3 | 1250008 | Burner/Flue Adapter Gasket | 1 |
| 4 | 12101022 | Flue Adapter | 1 |
| 5 | 14695810 | Hex Nut w/Serrated Washer ¼"-20 | 5 |
| 6 | 1450011 | Threaded Stud ¼"-20 x 1½" | 5 |

Hot Surface Igniter Replacement Kit (P/N#2272133)

(includes Items 7-9 (below))

| | | | |
|---|----------|----------------------|---|
| 7 | 1250010 | Igniter/Mixer Gasket | 1 |
| 8 | 1264005 | Hot Surface Igniter | 1 |
| 9 | 14695809 | Screw 10-32 x ⅜" | 2 |

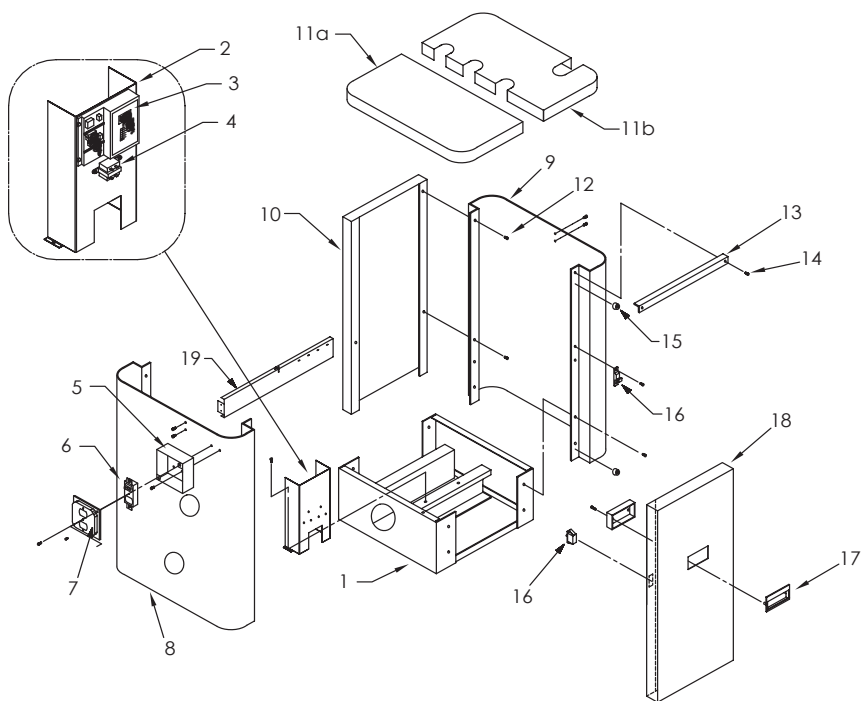
BOILER BLOCK AND PIPING ASSEMBLY



BOILER BLOCK AND PIPING ASSEMBLY

| ITEM | PART NO. | DESCRIPTION | QTY. |
|------|-----------|--|------|
| 1 | 2272160 | Block Replacement Kit | 1 |
| 2 | 1395002 | 1¼" Cast Iron Square Head Plug | 12 |
| 3 | 14631301 | Hose 3" Long x 2¾" ID x 2¾" OD | 1 |
| 4 | 1400008 | Vent Pipe 2" CPVC SCH-40 x 7" Long | 1 |
| 5 | 1310015 | Nipple, Black 1½" Close | 1 |
| 6 | 14622000 | Valve BLR DR ¾" | 1 |
| 7 | 1510010 | Reducing Tee 1½" x 1¼" x ¾" | 1 |
| 8 | 1190004 | 1¼" Street Elbow Blk. 90° | 1 |
| 9 | 1310002 | Nipple, Std. Blk. 1¼" x 4½" | 1 |
| 10 | 1190002 | Elbow 1¼" x 90° | 1 |
| 11 | 14631004 | Sight Glass Adapter | 1 |
| 12 | 14619002 | Observation Port ¾" | 1 |
| 13 | 1230010 | Fitting, Brass ⅛" NPT x ⅜" Straight Barb | 1 |
| 14 | 14631324 | Aquastat | 1 |
| 15 | 14662804 | Well Control ½" | 1 |
| 16 | 14693004 | ¾" x ½" Std. Black Bushing | 1 |
| 17 | 14693204 | 1½" x 1¼" Std. Black Bushing | 1 |
| 18 | PF06501 | 1¼" x 7" NPT Std. Black Pipe Nipple | 1 |
| 19 | 1260006SP | Temp/Pressure Gauge, 2" Shank | 1 |
| 20 | 1060002 | ¾" x ¼" Std. Black Iron Bushing | 1 |
| 21 | PF05901 | 1¼" x 1¼" x ¾" Std. Black Tee | 1 |
| 22 | 14693001 | ¾" x ⅛" Black Bushing | 1 |
| 23 | 1580006 | Air Purge Vent w/Check Valve | 1 |
| 24 | 14622011 | ¾" Relief Valve | 1 |
| 25 | 14607002 | ¾" x 6½" Std. Black Nipple | 1 |
| 26 | 14695802 | Screw Soc HD Cap 8-32 x ⅜" | 2 |
| 27 | 1500005 | Casting Temperature Switch | 1 |
| 28 | 2272137 | LWCO Replacement Kit | 1 |
| 29 | 14693005 | 1" x ¾" Black Bushing | 1 |
| 30 | 1395004 | 1" Cast Iron Square Head Solid Plug | 2 |
| 31 | 14631302 | Clamp, Stainless Steel #44 | 2 |

JACKET AND BASE ASSEMBLY

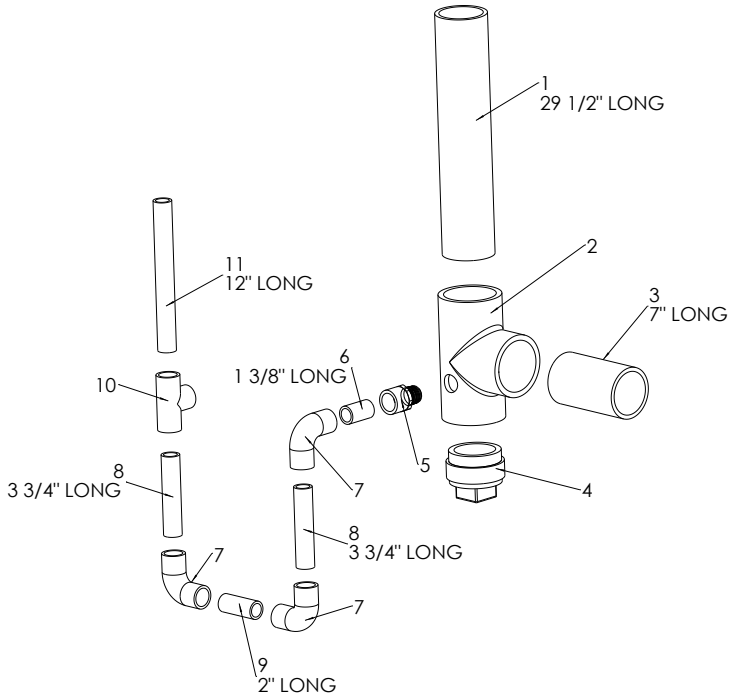


JACKET AND BASE ASSEMBLY

| ITEM | PART NO. | DESCRIPTION | QTY. |
|------|-------------|---|------|
| 1 | 2272144 | Base Replacement Kit (125-200) | 1 |
| 2 | 650001028 | Control Panel | 1 |
| 3 | 14662803 | Control Integrated | 1 |
| 4 | 550001339 | 40 VA Transformer Replacement Kit | 1 |
| 5 | 14631316 | 4" x 4" x 2 1/8" J-Box | 1 |
| 6 | 14631319 | Switch, P & S | 1 |
| 7 | 14631318 | J-Box Plate Cover | 1 |
| 8 | 2272152AC | Jacket Panel, Left Side Replacement Kit, Blue | 1 |
| | 2272152AD | Jacket Panel, Left Side Replacement Kit, Gray | 1 |
| 9 | 2272151AC | Jacket Panel, Right Side Replacement Kit, Blue | 1 |
| | 2272151AD | Jacket Panel, Right Side Replacement Kit, Gray | 1 |
| 10 | 750001031AC | Jacket Panel, Back | 1 |
| 11a | 2370003AC | Jacket Panel, Top Left | 1 |
| 11b | 2370004AC | Jacket Panel, Top Right | 1 |
| 12 | 14695074 | Screw #10 x 1/2" ZP | 14 |
| 13 | 750001034 | Jacket Tie Bar | 1 |
| 14 | 14695060 | Screw #10 x 1/2" | 12 |
| 15 | 1225013 | Tap Bumper | 4 |
| 16 | 1225012 | Latch and Clip Kit | 1 |
| 17 | 14631095 | Door Pull | 1 |
| 18 | 2272150 | Jacket Service Door Replacement Kit | 1 |
| 19 | 2485001 | Pressure Switch Mounting Plate | 1 |
| * | 1263010 | LWCO Harness | 1 |
| * | 1263020 | Wire Harness | 1 |
| * | 14631174 | 2 1/2" Plug | 1 |
| * | 2272164AC | Jacket, Complete Replacement Kit, Blue | 1 |
| * | 2272164AH | Jacket, Complete Replacement Kit, Blue and Gray | 1 |

* Not Shown

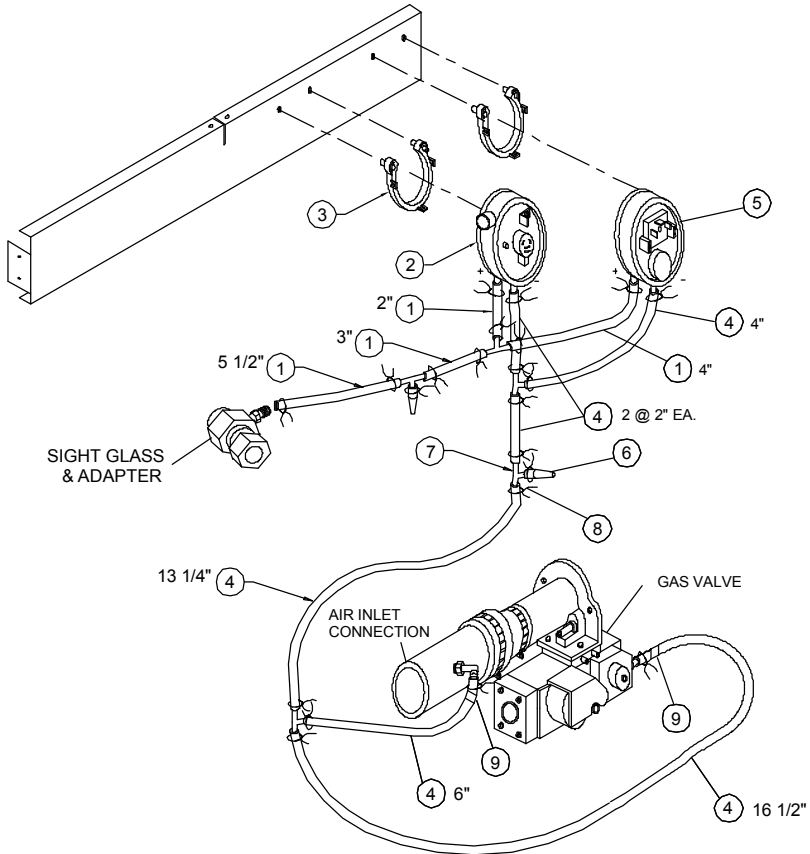
EXHAUST TEE AND CONDENSATE TRAP ASSEMBLY



| ITEM | PART NO. | DESCRIPTION | QTY. |
|------|-----------|--|------|
| 1 | 1400008 | Vent Pipe 2" CPVC SCH-40 x 29½" Long | 1 |
| 2 | 14631305 | Tee 2" CPVC SCH-80 | 1 |
| 3 | 1400008 | Vent Pipe 2" CPVC SCH-40 x 7" Long | 1 |
| 4 | 240005852 | Cleanout, PVC, 2" | 1 |
| 5 | 1001002 | PVC Fitting ½" NPT Male x ½" Slip Female | 1 |
| 6 | 1400014 | Pipe ½" PVC SCH-40 x 1⅜" | 1 |
| 7 | 1190005 | Elbow ½" x 90° PVC SCH-40 | 3 |
| 8 | 1400014 | Pipe ½" PVC SCH-40 x 3¾" | 2 |
| 9 | 1400014 | Pipe ½" PVC SCH-40 x 2" | 1 |
| 10 | 1510012 | Tee ½" x ½" x ½" PVC SCH-40 | 1 |
| 11 | 1400014 | Pipe ½" PVC SCH-40 x 12" | 1 |
| * | 29571 | 3" Concentric Vent Kit | 1 |

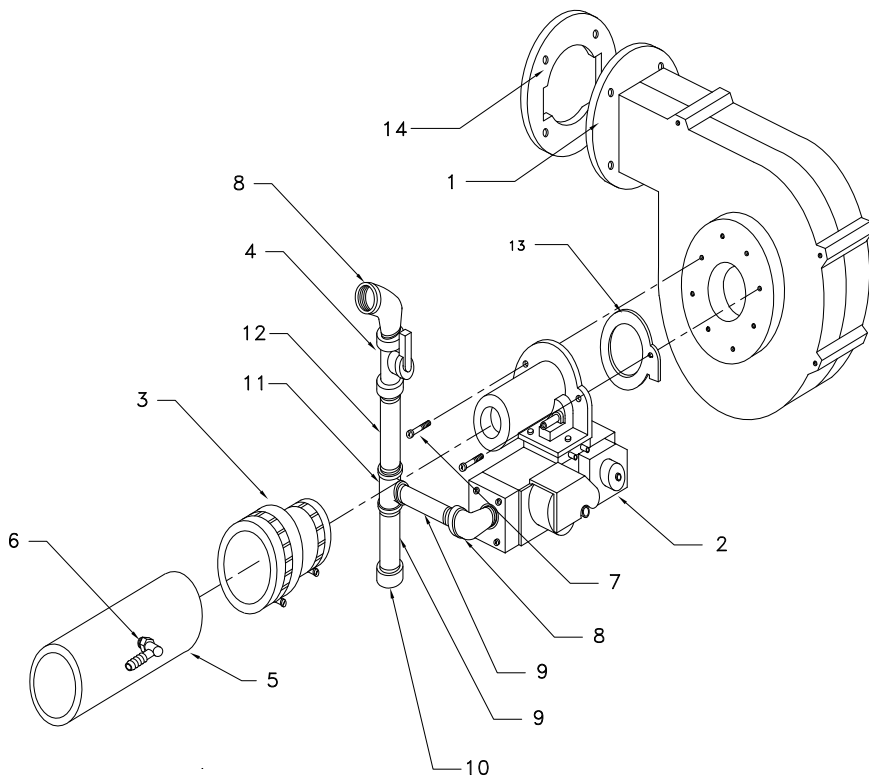
* Not Shown

MIXER AND AIR PRESSURE SWITCH ASSEMBLY



| ITEM | PART NO. | DESCRIPTION | QTY. |
|------|-----------|--|--------|
| 1 | 14629003 | Silicone Tubing, $\frac{3}{16}$ " I.D. | Varies |
| 2 | 1401004 | Air Pressure Switch, $3\frac{1}{2}$ " W.C. | 1 |
| 3 | 1401002 | Air Pressure Switch Clip | 2 |
| 4 | 1552004 | Orange Silicone Tubing, $\frac{3}{16}$ " I.D. | Varies |
| 5 | 1401003 | Air Pressure Switch. $\frac{1}{2}$ " W.C. | 1 |
| 6 | 1230006 | $\frac{3}{16}$ " Black Vinyl Cap | 2 |
| 7 | 1510009 | Plastic Barbed Hose Tee, $\frac{3}{16}$ " I.D. | 5 |
| 8 | 1110001 | Rotor Clamp | 22 |
| 9 | PB-002.02 | Pilot Orifice, BBR10 | 2 |

FLUE ADAPTER AND EXHAUSTER ASSEMBLY



FLUE ADAPTER AND EXHAUSTER ASSEMBLY

| ITEM | PART NO. | DESCRIPTION | QTY. |
|------|----------|--|------|
| 1 | 2272145 | Blower Replacement Kit (includes #13 (below)) | 1 |
| 2 | 2272140 | Gas Valve Replacement Kit (125 Only) | 1 |
| | 2272141 | Gas Valve Replacement Kit (150 Only) | 1 |
| | 2272142 | Gas Valve Replacement Kit (175 Only) | 1 |
| | 2272143 | Gas Valve Replacement Kit (200 Only) | 1 |
| 3 | 14631311 | 2" x 1½" Flex Coupling | 1 |
| 4 | 1570038 | Ball Valve ½" (Blue) | 1 |
| 5 | 1400007 | Vent Pipe 2" PVC SCH-40 (8" Long) | 1 |
| 6 | 1230011 | Fitting, PE, ⅛" NPT" x ¾", Barb 90° | 1 |
| 7 | 1450012 | Screw T25 Torx | 2 |
| 8 | 14693801 | Elbow Street Mall ½" - 90 PWX | 2 |
| 9 | 14607301 | Nipple Blk. Std. ½" NPT x 3" | 2 |
| 10 | 1225015 | Cap ½" Cast Iron | 1 |
| 11 | 14657015 | Tee Black ½" | 1 |
| 12 | 14607803 | Nipple Blk. Std. ½" x 4½" | 1 |
| 13 | 1250021 | Gasket, Cork, Venturi | 1 |
| 14 | 1250007 | Gasket, Fan Flue Adapter | 1 |
| * | 1272033 | Nat to LP Replacement Kit (125 Only) | 1 |
| * | 1272034 | Nat to LP Replacement Kit (150 Only) | 1 |
| * | 1272035 | Nat to LP Replacement Kit (175 Only) | 1 |
| * | 1272036 | Nat to LP Replacement Kit (200 Only) | 1 |
| * | 1272037 | LP to Nat Replacement Kit (125-200) | 1 |

* Not Shown

