



Models
BC3095
BC4100
BC4115

BC Series II

OIL-FIRED CAST IRON BOILER

Parts and Optional Accessories

Ordering Instructions

Order Parts through your nearest supplier.

When ordering parts, obtain Model Number and Serial Number from data plate on your boiler.

Include following information when ordering.

Part Number _____

Part Description _____

Boiler Model Number _____

Boiler Serial Number _____



An ISO 9001-2008 Certified Company

Manufactured by:

ECR International, Inc.

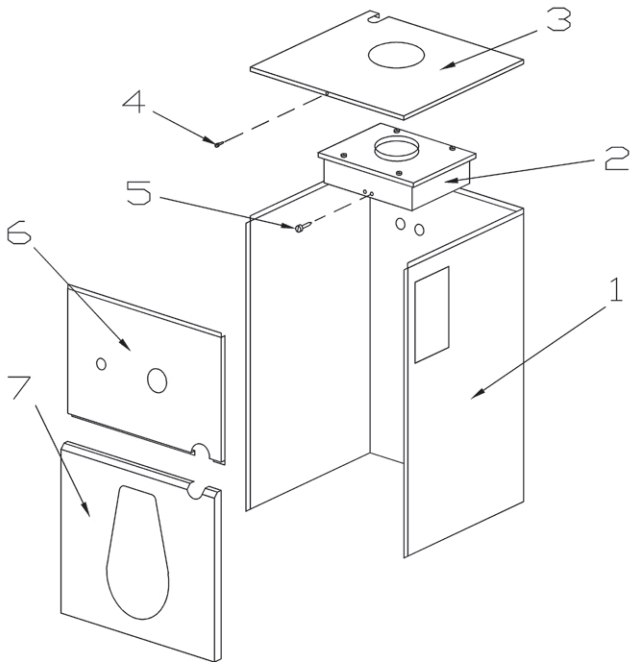
2201 Dwyer Avenue, Utica NY 13501

web site: www.ecrinternational.com

P/N 240009514, Rev. B [12/2012]

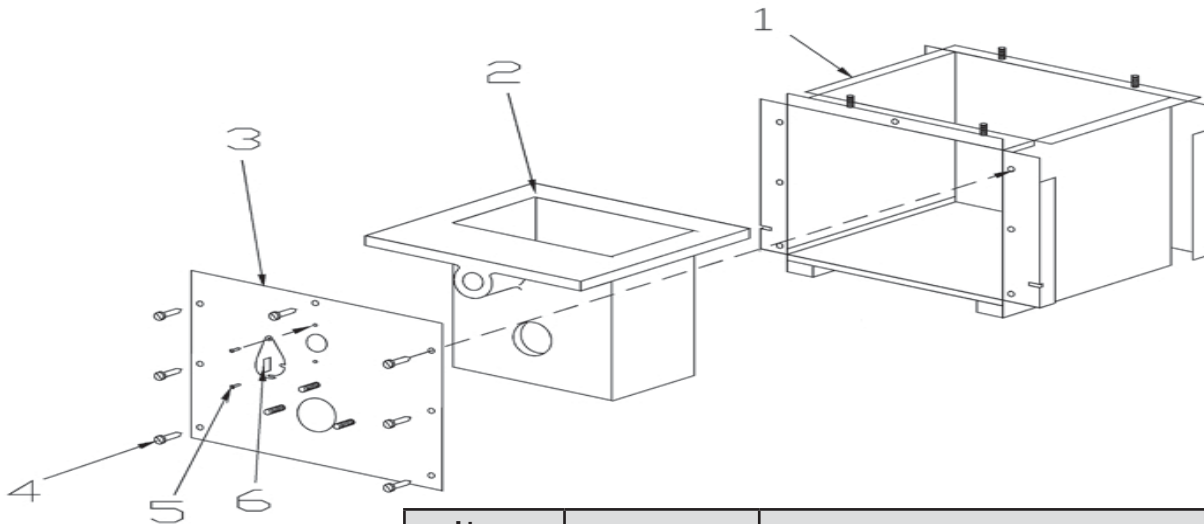
REPLACEMENT PARTS

JACKET AND FLUE COLLECTOR ASSEMBLY



Item Number	Part Number	Description	QTY
1	2162801	Pnl Jkt Wrapper Assy. BC3	1
	2162802	Pnl Jkt Wrapper Assy. BC4	1
2	2462101	Flue Collector Assy. BC3	1
	2462102	Flue Collector Assy. BC4	1
3	2162701	Pnl Jkt Top Assy. BC3	1
	2162702	Pnl Jkt Top Assy. BC4	1
4	14695074	Scr 8-18x1/2 Stl Hx Wash Hd	16
5	14695039	Scr 5/16-18x1.5 Type F SLHX	2
6	2162501	Pnl Jkt Top Frt Assy. BC	1
7	2162601	Pnl Jkt Low Frt Assy. BC	1

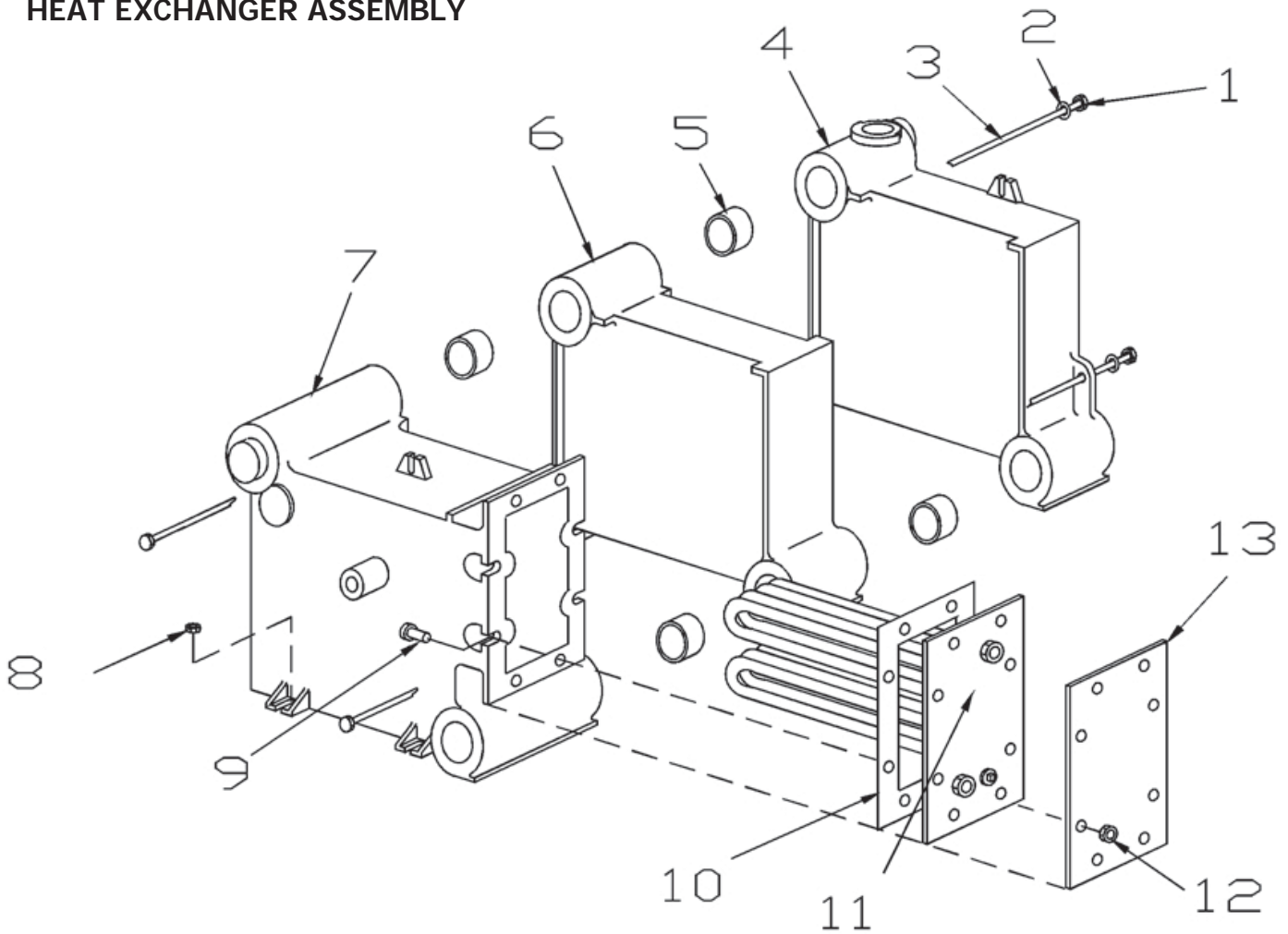
BASE ASSEMBLY



Item Number	Part Number	Description	QTY
1	2262101	Base Assy BC3	1
	2262102	Base Assy BC4	1
2	252-2-3.01	Combustion Chamber BC3	1
	252-2-3.02	Combustion Chamber BC4	1
3	2261201	Base Burner Mtg pl Assy, BC3, 4	1
4	HW-005.01	Scr-1/4-20x1/2 Self Tap	7
5	14695039	Scr 5/16-18x1.5 Type F SLHX	2
6	10011701	Cast Iron Obsv Door	1

REPLACEMENT PARTS

HEAT EXCHANGER ASSEMBLY

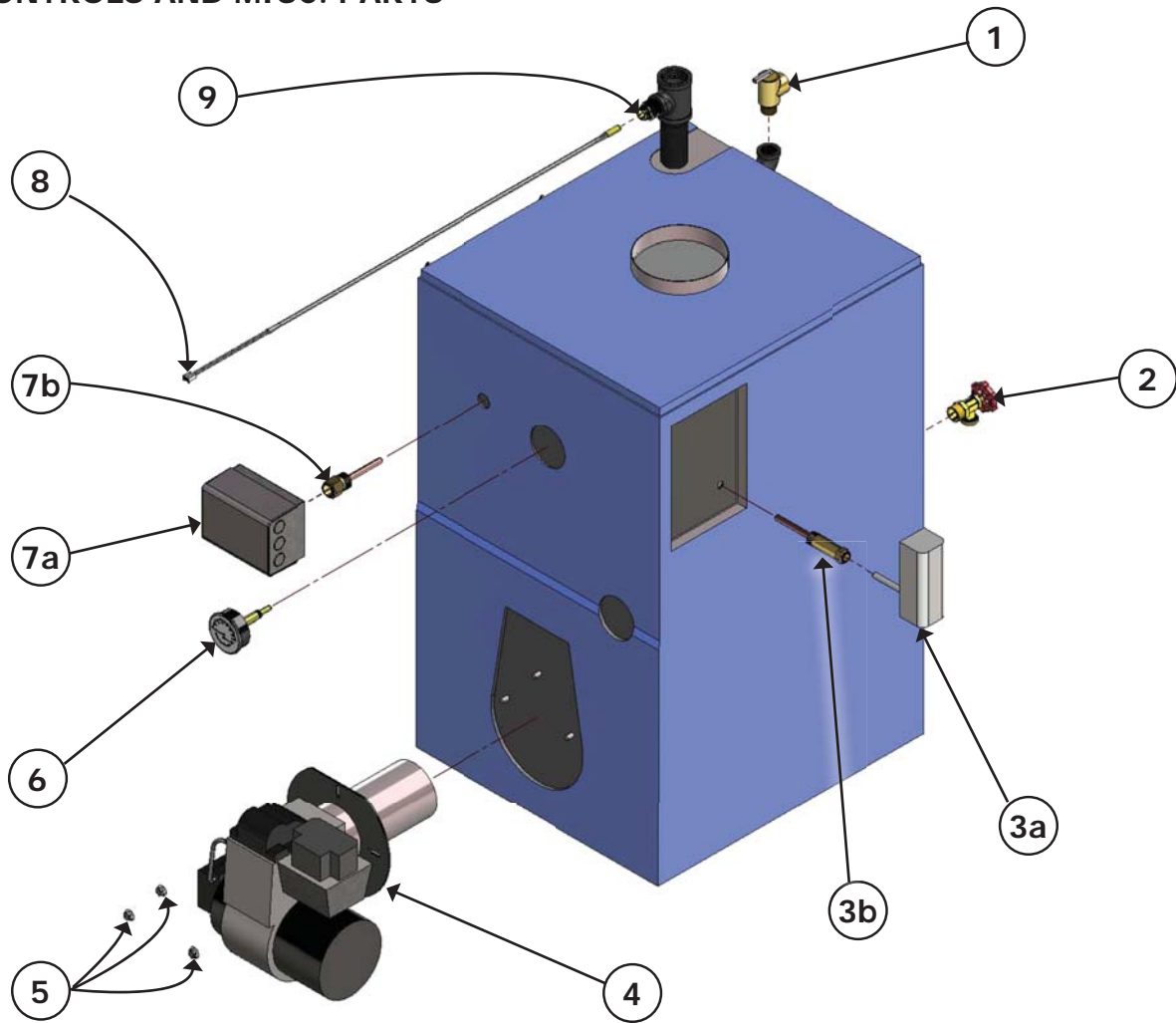


Item Number	Part Number	Description	QTY
1	HW-003.02	Nut 1/4-20 Hex Stl ZP	2
2	HW-008.01	Washer - 5/16 Flat Stl ZP	2
3	14605051	Tie Rod 1/4-20x13x3 IH WH BC3	2
	14605053	Tie Rod 1/4-20x17x3 IH WH BC4	2
4	902000001	Right Section B	1
5	43300976*	Nipple 2" Mach.	BC3(4)
			BC4(6)
6	902000002	Center Section B	BC3(1)
			BC4(2)
7	100-2-4.01	Tankless Section B	1
8	1330001	Nut 5/16-18 Wislock	4
9	HW-012.02	Bolt 7/16-14x1-1/2 Sq Hd	8
10	252-2-2.00	Gasket Tankless	1
11	252-3-1.02	Tankless Coil L-24	1
12	HW-013.01	Nut 7/16-14 Sq Stl	8
13	202-2-1.00	Cover plate B/SF S Tankless	1

* Four (4) nipples required for center section replacement

REPLACEMENT PARTS

BURNER, CONTROLS AND MISC. PARTS



Item Number	Part Number	Description	QTY
1	VR-001.01	Safety Relief Valve, Combraco 10-407-05	1
2	240009323	Drain Valve	1
3a	AQ-08.00	Low Limit, Honeywell L4006A	1
3b	AQ-020.01	Well, Honeywell 123871A	1
4	240009509	Oil Burner, Beckett AFG	1
5	1330001	Nut-5/16-18 Wizlock	3
6	1260006	Temperature-Pressure Gauge	1
7a	240009128	Limit, Honeywell L7248L	1
7b	1635001	Well, Honeywell 123870A	1
8	240007732	Sensor L7224/7248 Honeywell	1
9	240009283	Well, 3/4 x 1/2, Hydrolevel 48-205	1