



Models
SFH-3085
SFH-3100
SFH-4100
SFH-4125
SFH-4145
SFH-5160
SFH-5185
SFH-6175
SFH-6210

STARFIRE IV SERIES 4

WATER OIL FIRED CAST IRON BOILER

PARTS AND OPTIONAL ACCESSORIES

Ordering Instructions

Order Parts through your nearest supplier.

When ordering parts, obtain Model Number and Serial Number from data plate on your boiler.

Include following information when ordering.

Part Number _____

Part Description _____

Boiler Model Number _____

Boiler Serial Number _____



An ISO 9001-2008 Certified Company

Manufactured by:

ECR International, Inc.

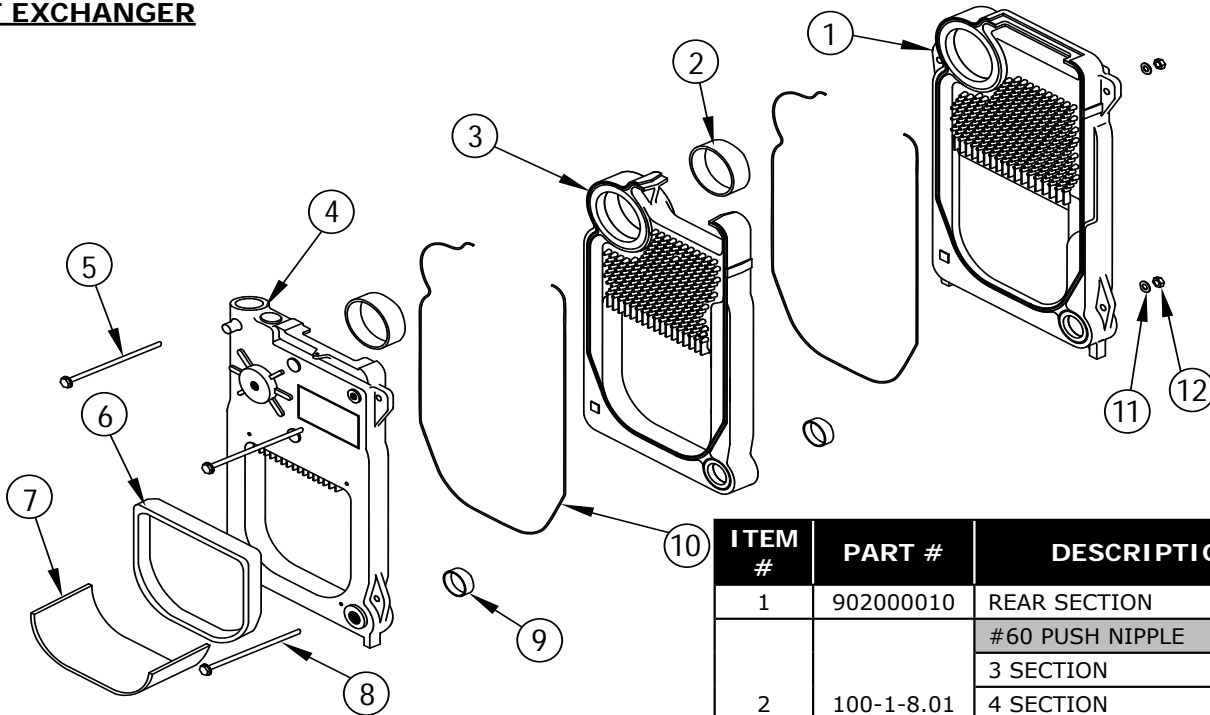
2201 Dwyer Avenue, Utica NY 13501

web site: www.ecrinternational.com

P/N 240009736, Rev. B [10/2012]

REPLACEMENT PARTS

HEAT EXCHANGER

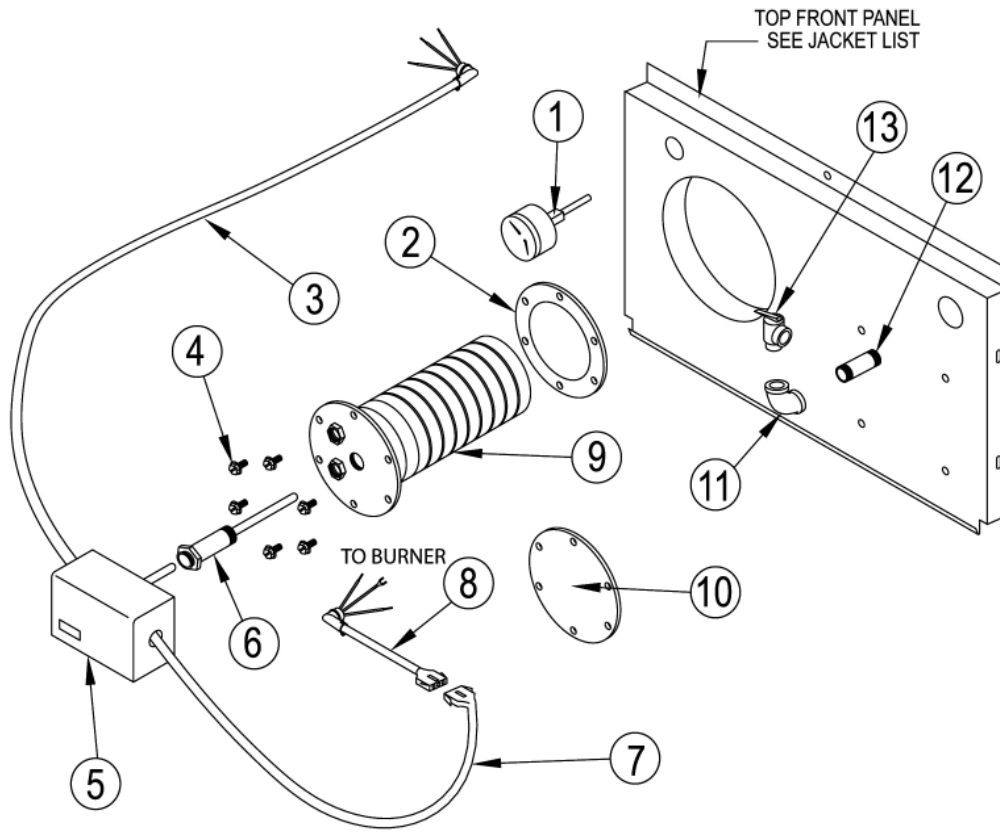


FULLY ASSEMBLED HEAT EXCHANGERS	
912000039	3 SECT. TNKLS W/O COIL
912000043	4 SECT. TNKLS W/O COIL
912000047	5 SECT. TNKLS W/O COIL
912000051	6 SECT. TNKLS W/O COIL
912000040	3 SECT. WITH TANKLESS COIL
912000044	4 SECT. WITH TANKLESS COIL
912000048	5 SECT. WITH TANKLESS COIL
912000052	6 SECT. WITH TANKLESS COIL
912000038	3 SEC. WITH CAST OVER
912000042	4 SEC. WITH CAST OVER
912000046	5 SEC. WITH CAST OVER
912000050	6 SEC. WITH CAST OVER

ITEM #	PART #	DESCRIPTION	QTY
1	902000010	REAR SECTION	1
2	100-1-8.01	#60 PUSH NIPPLE	
		3 SECTION	2
		4 SECTION	3
		5 SECTION	4
		6 SECTION	5
3	902000009	CENTER SECTION	
		3 SECTION	1
		4 SECTION	2
		5 SECTION	3
4	902000007	FRONT SECT. CASTOVER	1
	902000008	FRONT SECT. TANKLESS COIL	
5	HW02510	TIE ROD 1/2 X 10 5/8 (3 SEC)	2
	HW02511	TIE ROD 1/2 X 14 1/4 (4 SEC)	
	HW02512	TIE ROD 1/2 X 17 7/8 (5 SEC)	
	HW02514	TIE ROD 1/2 X 21 3/4 (6 SEC)	
6	5611508	KIT - TARGET WALL & INSULATION BLANKET	1
7	25511005	INSUL BLANKET 16X24 (6 SECTION)	1
8	HW-025.01	TIE ROD 1/2 X 12 1/2 (4 SEC)	1
	HW-025.02	TIE ROD 1/2 X 16 1/2 (5 SEC)	
	HW-025.03	TIE ROD 1/2 X 20 1/2 (6 SEC)	
	HW-025.05	TIE ROD 1/2 X 9 (3 SEC)	
9	100-1-5.01	#22 PUSH NIPPLE	
		3 SECTION	2
		4 SECTION	3
		5 SECTION	4
		6 SECTION	5
10	MS-006.00	ROPE MED DENSITY	
		3 SECTION (13')	1
		4 SECTION (19.5')	
		5 SECTION (26')	
6 SECTION (32.5')			
11	HW-008.03	WASHER 1/2 ID FLAT	3
12	HW-003.05	NUT 1/2-13 HEX HEAD	3

REPLACEMENT PARTS

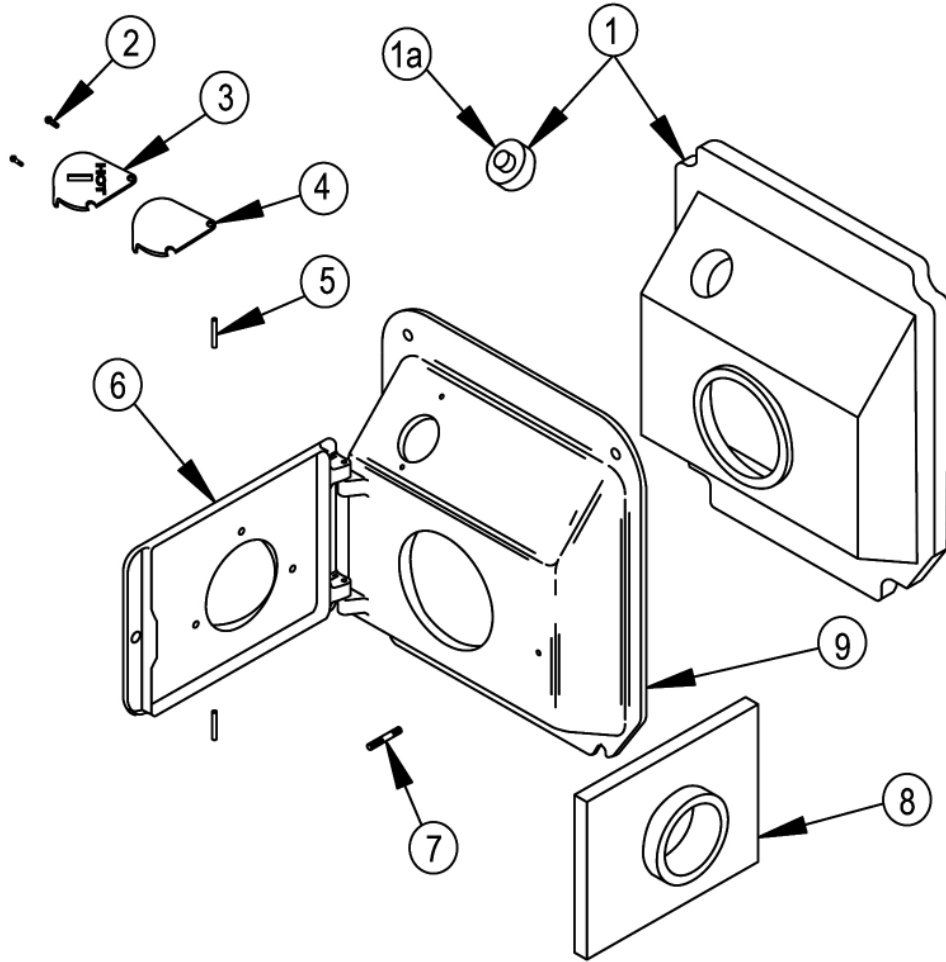
COIL



ITEM #	PART #	DESCRIPTION	QTY
1	1260006	TEMPERATURE - PRESSURE GAUGE	1
2	240007072	GASKET - SILICON/DURO 70	1
3	37519501	HARNESS CIRCULATOR 72"	1
4	HW08001	BOLT 5/16" X 3/4"	6
5	240009128	LIMIT, HONEYWELL L7248L (FOR BOILERS WITHOUT A TANKLESS COIL)	1
	AQ-010.00	CONTROL L8124A (FOR BOILERS WITH A TANKLESS COIL)	1
5a	240007686	SENSOR HONEYWELL 50001464-001	
6	AQ-020.01	WELL	1
7	2851401	HARNESS CTRL BOX (BECKETT BURNERS)	1
8	1263013	HARNESS, BURNER (BECKETT BURNERS)	1
9	5612001	TANKLESS COIL KIT P3 (FOR 3 SECTION BOILERS)	
	5612002	TANKLESS COIL KIT T4 (4, 5, 6 & 7 SECT. BOILERS)	
(ABOVE KITS INCLUDE ITEM NOS. 2, 4 AND THE APPROPRIATE COIL)			
10	27511401	TANKLESS - COVER KIT	1
		(KIT INCLUDES ITEM NOS. 2, 4 AND COVER PLATE)	
11	1190001	PIPE FIT ELBOW 3/4" NPT	1
12	1310001	PIPE FIT - NPL 3/4" X 4" NPT	1
13	VR-001.01	SAFETY RELIEF VALVE 30#, CONBRACO 16-407-05	1
NOT SHOWN	550001908	GASKET REPLACEMENT KIT (INCLUDES ITEMS #2 & #4)	1

REPLACEMENT PARTS

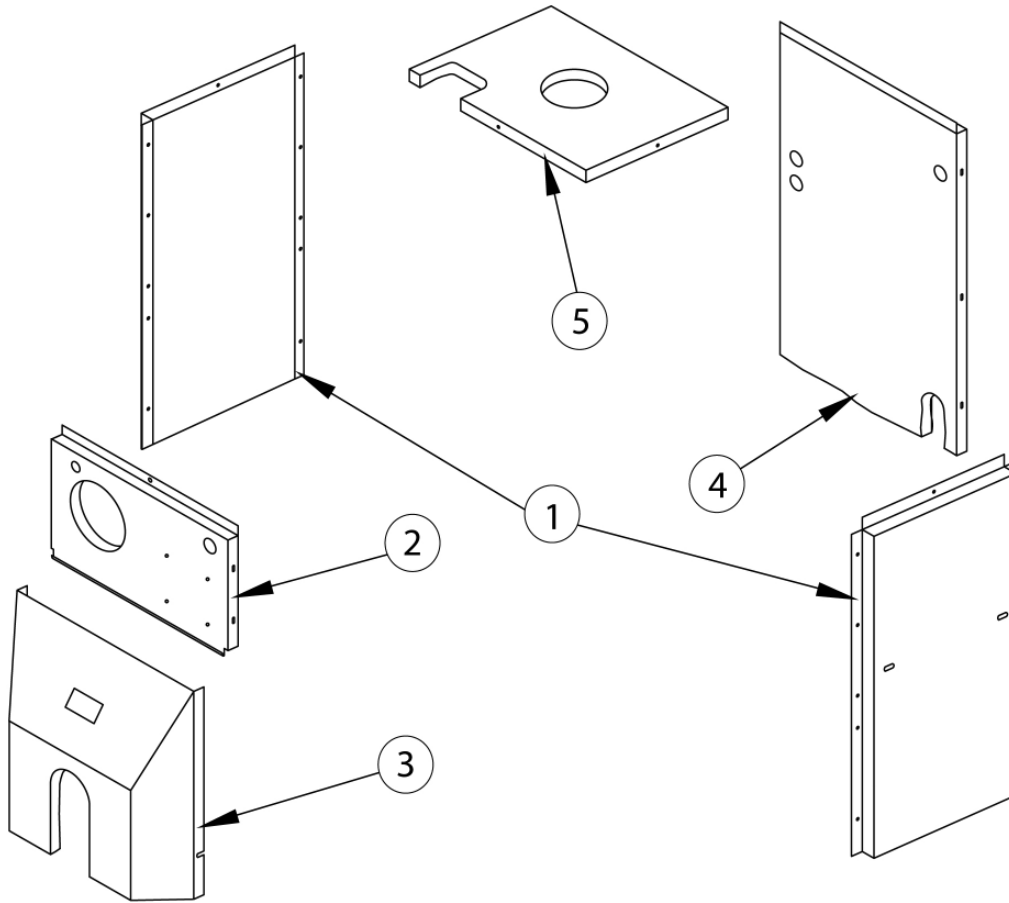
SWING DOOR AND MOUNTING DOOR COMPONENTS



ITEM #	PART #	DESCRIPTION	QTY
1	2552901	MOUNTING DOOR INSULATION & PLUG	1
2	HW-005.01	SCREW 1/4-20X1/2 SELF TAPPING	2
3	10011701	OBSERVATION DOOR	1
4	25511101	OBS. DOOR GASKET	1
5	HW06801	1/4X1.3/4 DRIVE LOCK PIN	2
6	10011501	SWING DOOR	1
7	HW06701	5/16X18X2.3/8 STUD	1
8	2553303	INSULATION-SWING DOOR (BECKETT BURNERS)	1
9	10011301	MOUNTING DOOR	1

REPLACEMENT PARTS

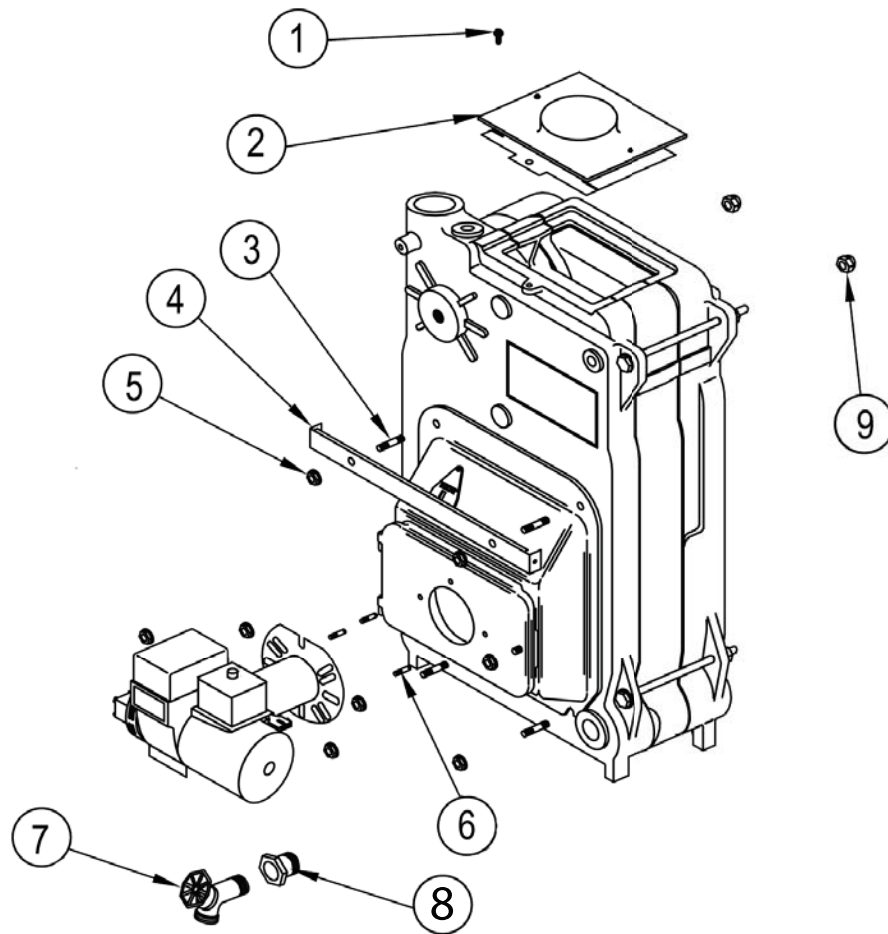
JACKET



ITEM #	PART #	DESCRIPTION	QTY
1	21521802	SIDE PANEL 3 SECTION	2
	21521803	SIDE PANEL 4 SECTION	
	21521804	SIDE PANEL 5 SECTION	
	21521805	SIDE PANEL 6 SECTION	
2	21522401	TOP FRONT PANEL C/O	1
	21522402	TOP FRONT PANEL TNKLS COIL (SHOWN)	
3	21521901	LOWER COWL	1
4	21521501	REAR PANEL	1
5	215-1-3.02	TOP PANEL 3 SECTION	1
	215-1-3.03	TOP PANEL 4 SECTION	
	215-1-3.04	TOP PANEL 5 SECTION	
	2151307	TOP PANEL 6 SECTION	

REPLACEMENT PARTS

HARDWARE



ITEM #	PART #	DESCRIPTION	QTY
1	HW-005.01	SCREW 1/4-20X1/2 SELF TAP	1
2	2452902	FLUE COLLECTOR ASSY (4 SECT)	1
	2452903	FLUE COLLECTOR ASSY (5 SECT)	
	2452906	FLUE COLLECTOR ASSY (3 SECT)	
	2452907	FLUE COLLECTOR ASSY (6 SECT)	
3	HW06701	STUD 5/16"-18 X 2 ³ / ₈ "	4
4	2252501	SUPPORT JACKET BRACKET	1
5	1330001	NUT 5/16-18 WISLOCK	8
6	HW07001	STUD 5/16"-18 X 1 ¹ / ₈ "	3
7	HW-016.02	DRAIN LONG	1
8	1060003	PIPE FIT BUSHING 1 ¹ / ₄ " X ³ / ₄ "	
9	HW06401	NUT - ACORN 1/2"-13 UNC YELLOW	2

REPLACEMENT PARTS

BURNER COMPONENTS

ITEM #	PART #	DESCRIPTION	QTY
1	240009743	BURNER OIL, SFH-3085, BCV	1
	240009744	BURNER OIL, SFH-3100, BCV	
	240009745	BURNER OIL, SFH-4100, BCV	
	240009746	BURNER OIL, SFH-4125, BCV	
	240009747	BURNER OIL, SFH-4145, BCV	
	240009748	BURNER OIL, SFH-5160, BCV	
	240009749	BURNER OIL, SFH-5185, BCV	
	240009750	BURNER OIL, SFH-6175, BCV	
	240009751	BURNER OIL, SFH-6210 BCV	
2	BN08001	BURNER OIL FLANGE GASKET #3616	1
	30A055901	GASKET OB MT FLG #3416	1
3	CD-001.01	CAD CELL	1
4	240008816	CONTROL 7505B1500 (FOR BOILERS WITH BECKETT BURNERS ONLY)	
5	14619244	NOZZLE (BECKETT) 0.75-60°B SFH-3085	1
	14619024	NOZZLE (BECKETT) 0.85-60°B SFH-3100 - SFH4100	
	1320024	NOZZLE (BECKETT) 1.10-60°B SFH-4125	
	14619294	NOZZLE (BECKETT) 1.25-60°B SFH-4145	
	240009766	NOZZLE (BECKETT) 1.35-70°B SFH-5160	
	1320001	NOZZLE (BECKETT) 1.50-70°B SFH-5185	
		NOZZLE (BECKETT) 1.50-70°B SFH-6175	
	14619019	NOZZLE (BECKETT) 1.75-70°B SFH-6210	

BECKETT AFG BURNER PARTS	
PART #	DESCRIPTION
29688	FUEL PUMP, 1 STAGE, 140 PSI, AFG, 2184404U
1250002	BURNER GASKET
1050008	MOTOR
1050007	TRANSFORMER

BECKETT AFG RERATE KITS	
PART #	DESCRIPTION
550002372	SFH-3085/3100
550002373	SFH-4100/4125/4145
550002374	SFH-5160/5185
550002687	SFH-6175/6210



UTICA BOILERS
2201 Dwyer Avenue
Utica NY 13501

web site: www.ecrinternational.com