



Models

PEGDID075D
PEGDID112D
PEGDID150D
PEGDID187D
PEGDID225D
PEGDID262D
PEGDID299D

SERIES IV GAS-FIRED STEAM BOILERS

PARTS AND OPTIONAL ACCESSORIES

Ordering Instructions

Order Parts through your nearest supplier.

When ordering parts, obtain Model Number and Serial Number from data plate on your boiler.

Include following information when ordering.

Part Number _____

Part Description _____

Boiler Model Number _____

Boiler Serial Number _____



An ISO 9001-2008 Certified Company

Manufactured by:

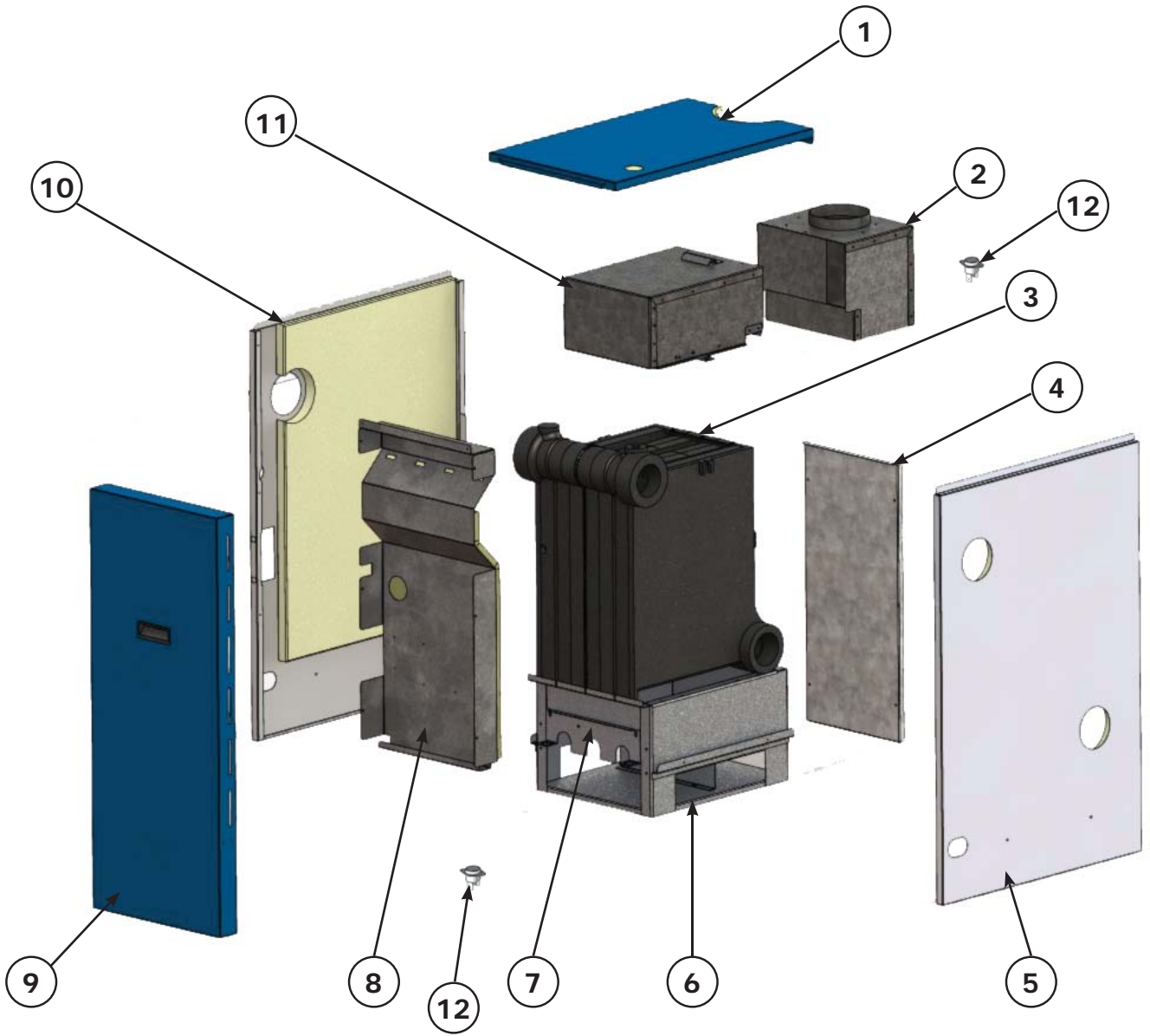
ECR International, Inc.

2201 Dwyer Avenue, Utica NY 13504-4729

web site: www.ecrinternational.com

P/N# 240009575, Rev. A [06/2012]

JACKET SECTION AND BASE PARTS



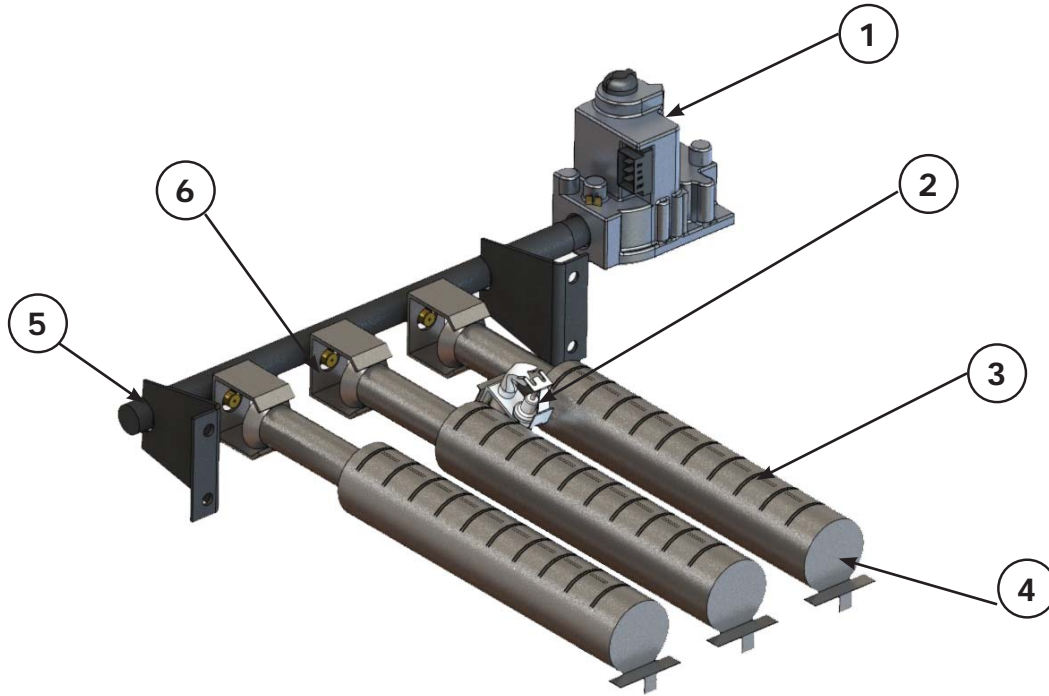
REPAIR PARTS

JACKET SECTION AND BASE PARTS

Jacket, Heat Exchanger and Base					
Item	Description	Part no	Item	Description	Part no
1	Top Panel PEG075DID	109008851AC	7	Rollout Shield 075	109008905
	Top Panel PEG112DID	109008852AC		Rollout Shield 112	109008906
	Top Panel PEG150DID	109008853AC		Rollout Shield 150	109008907
	Top Panel PEG187DID	109008854AC		Rollout Shield 187	109008908
	Top Panel PEG225DID	109008855AC		Rollout Shield 225	109008909
	Top Panel PEG262DID	109008856AC		Rollout Shield 262	109008910
	Top Panel PEG299DID	109008857AC		Rollout Shield 299	109008911
2	Draft Hood Assy 075	3002050	8	Intermediate Panel ,PEG075DID	109008823
	Draft Hood Assy 112	3002051		Intermediate Panel ,PEG112DID	109008824
	Draft Hood Assy 150	3002052		Intermediate Panel ,PEG150DID	109008825
	Draft Hood Assy 187	3002053		Intermediate Panel ,PEG187DID	109008826
	Draft Hood Assy 225	3002054		Intermediate Panel ,PEG225DID	109008827
	Draft Hood Assy 262	3002055		Intermediate Panel ,PEG262DID	109008828
	Draft Hood Assy 299	3002056		Intermediate Panel ,PEG299DID	109008829
3	Heat Exchanger S4 075	912000031	9	Access Door PEG075DID	109008837AC
	Heat Exchanger S4 112	912000032		Access Door PEG112DID	109008838AC
	Heat Exchanger S4 150	912000033		Access Door PEG150DID	109008839AC
	Heat Exchanger S4 187	912000034		Access Door PEG187DID	109008840AC
	Heat Exchanger S4 225	912000035		Access Door PEG225DID	109008841AC
	Heat Exchanger S4 262	912000036		Access Door PEG262DID	109008842AC
	Heat Exchanger S4 299	912000037		Access Door PEG299DID	109008843AC
4	Rear Panel PEG075DID	109008844	10	Left Panel	109008821AD
	Rear Panel PEG112DID	109008845	11	Flue collector Assy 075	3002043
	Rear Panel PEG150DID	109008846		Flue collector Assy 112	3002044
	Rear Panel PEG187DID	109008847		Flue collector Assy 150	3002045
	Rear Panel PEG225DID	109008848		Flue collector Assy 187	3002046
	Rear Panel PEG262DID	109008849		Flue collector Assy 225	3002047
	Rear Panel PEG299DID	109008850		Flue collector Assy 262	3002048
				Flue collector Assy 299	3002049
5	Right Panel	109008822AD	12	Blocked Vent Switch	AQ02101
6	Base, 075	42500663	13	Rollout Switch	AQ02101
	Base, 112	42500664			
	Base, 150	42500665			
	Base, 187	42500666			
	Base, 225	42500667			
	Base, 262	42500668			
	Base, 299	42500669			

REPAIR PARTS

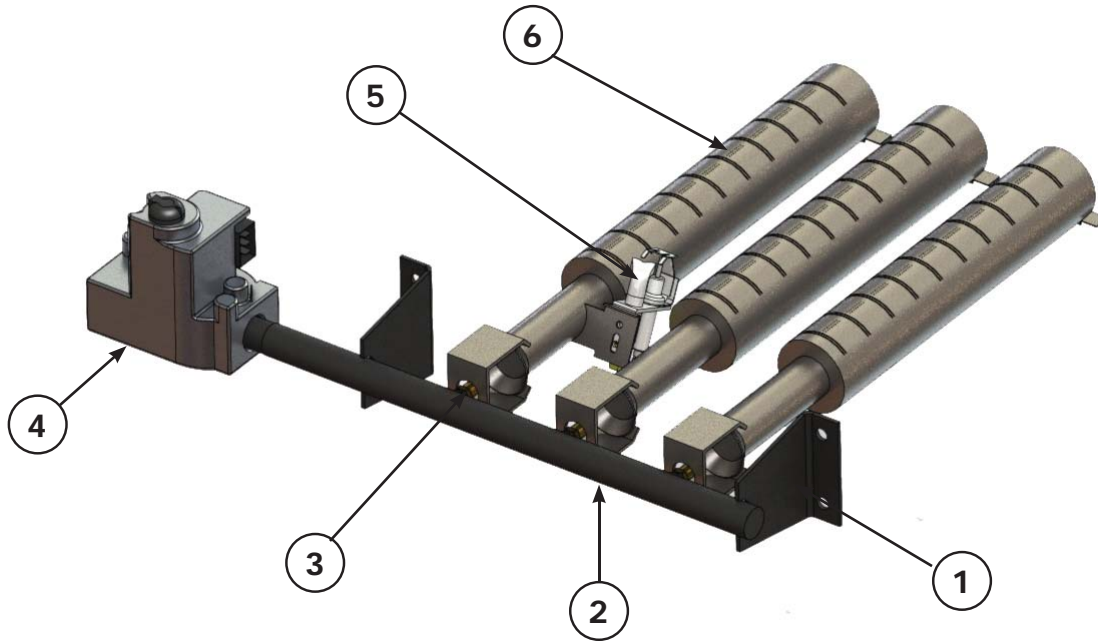
NATURAL GAS BURNERS AND MANIFOLD PARTS



Natural Gas Valve, Manifold & Burners		
Item	Description	Part no
1	1/2 x 1/2 Valve, Natural Gas, Spark, 075 thru 150	VG01101
	3/4 x 3/4 Valve, Natural Gas, Spark 187 thru 299	VG01103
2	Natural Gas Burner Pilot	14662092
3	Burner, Pilot, Titan, SST	14615531
4	Burner	14615532
5	1/2" Manifold, 075	14616033
	1/2" Manifold, 112	14616034
	1/2" Manifold, 150	14616035
	3/4" Manifold, 187	14616013
	3/4" Manifold, 225	14616014
	3/4" Manifold, 262	14616015
	3/4" Manifold, 299	14616016
6	Orifice, 1/8", #34 drill	14615031

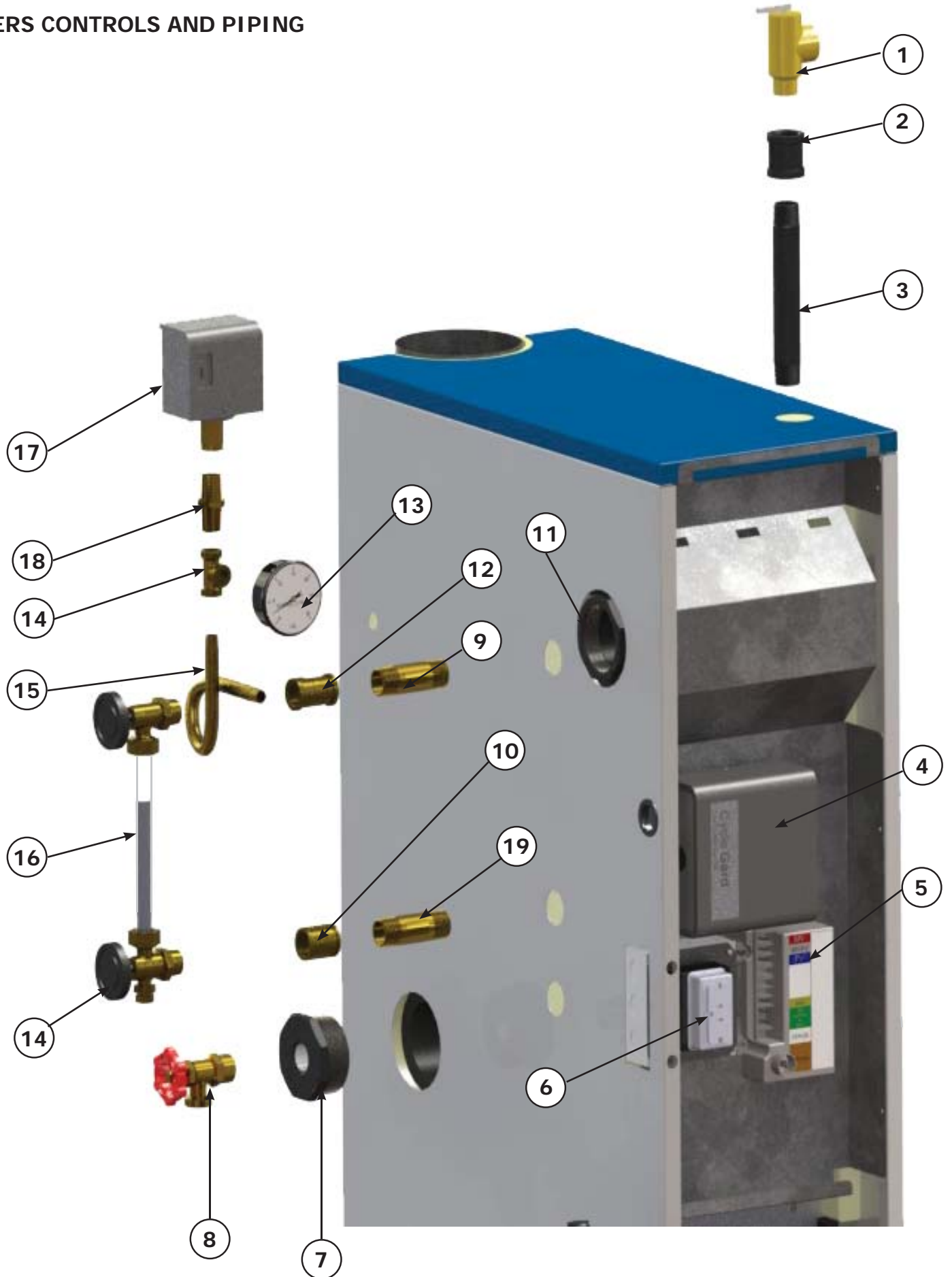
REPAIR PARTS

PROPANE GAS BURNERS AND MANIFOLD PARTS



Propane Gas Valve, Manifold & Burners		
Item	Description	Part no
1	Burner with Pilot bracket	14615531
2	1/2" Manifold, 075	14616033
	1/2" Manifold, 112	14616034
	1/2" Manifold, 150	14616035
	3/4" Manifold, 187	14616013
	3/4" Manifold, 225	14616014
	3/4" Manifold, 262	14616015
	3/4" Manifold, 299	14616016
3	Orifice 1/4 NPT, #51 drill, 075 thru 150	14615036
	Orifice 1/2 NPT, #51 drill, 187 thru 299	14615064
4	1/2" Gas Valve 075 thru 150	240007039
	3/4 " Gas Valve for 187 thru 299	240007040
5	Propane Gas Pilot	14662094
6	Burner	14615532

BOILERS CONTROLS AND PIPING



REPAIR PARTS

Boiler Controls & Piping		
Item	Description	Part no
1	3/4" ASME Relief Valve, 15PSI	1570001
2	3/4" Coupling, Black Iron	1150001
3	3/4 Nipple x 6", Sch 80, Black Iron	14607002
4	Hydrolevel Cycle Guard CG400-2090 LWCO	240009340
5	Spark Ignition Control	14662070
6	Transformer, AT150D 1001,50VA	14662305
7	2-1/2 x 3/4 Bushing	14693083
8	3/4" Drain Valve	240009323
9	1/2 Nipple x 3", brass	1310003
10	1/2 Coupling, brass	14693052
11	2 1/2"NPT x 2"NPT bushing	240009591
12	1/2 x 1/2 x 1/4 Tee, brass	14693051
13	Pressure Gauge	14623006
14	1/4" Tee, brass	14693057
15	90° Degree Syphon	14643004
16	8" Water Gauge Glass	GA-004.00
17	Honeywell Pressuretrol PA404A1074 0.5 to 9 psi	14662015
18	1/4" Hex Nipple, Brass	240009692
19	1/2" x 3.25 Brass Nipple	240009393
*	Wire Harness	240009570
*	Gas Valve Harness	37413602
* Not Shown		



UTICA BOILERS
2201 Dwyer Avenue
Utica NY 13501

web site: www.ecrinternational.com