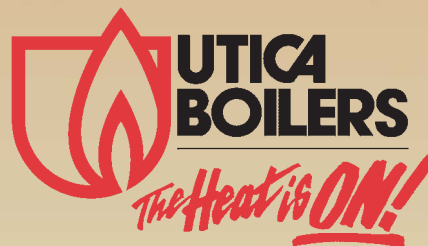


Cast Iron Oil-Fired Boiler

Quality Engineered for Efficiency and Dependability

BC Series



Warm-Up to the Economy and Efficiency of the BC Series Boiler

The BC Series boiler offers high efficiency ratings with cast-iron construction at a modest price for cost conscious homeowners. With efficiencies up to 86%, the BC is an ideal replacement or upgrade for homeowners interested in comfort, economy and years of worry-free performance.

Quality, Cast-Iron Construction

The BC utilizes cast iron construction because of its durability and efficient heat transfer capabilities. Cast iron sections and push nipples are an integral part of each BC heat exchanger. Using only the highest quality cast iron and heat transfer designs ensure that the BC will provide many years of efficient and trouble-free operation.

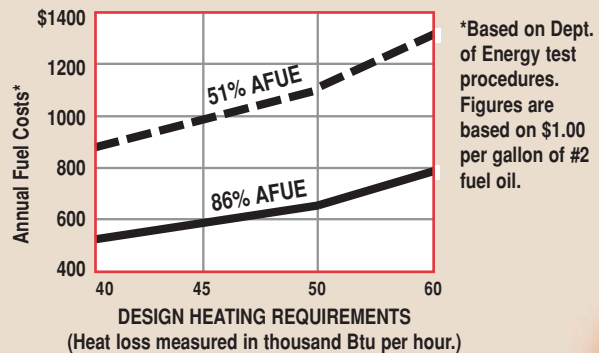
Tankless Heater Option

The BC may be ordered with a tankless heater coil to provide domestic hot water. Used with a flow control valve and tempering valve, it provides most households with sufficient domestic hot water without purchasing another appliance.

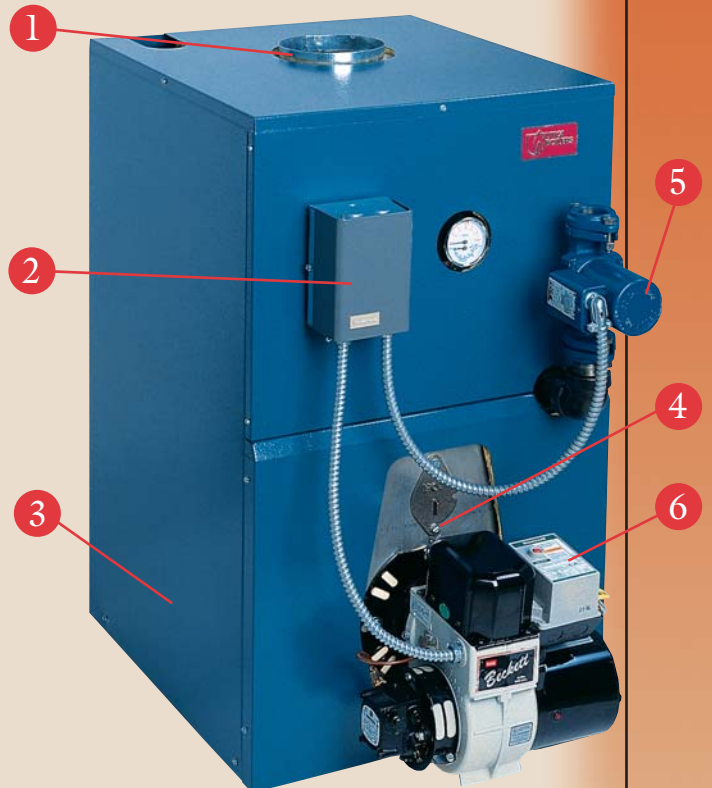


High Energy Efficiency and Lower Heating Costs

With efficiency ratings as high as 86%, the BC provides increased energy savings resulting in lower fuel bills. With the potential cost savings this represents, the BC boiler will pay for itself in a few short years.



Note the difference in annual fuel costs between boilers with higher and lower efficiencies. Boilers installed years ago have seasonal efficiencies as low as 50%. With the cost-savings made possible by higher efficiencies, your new BC boiler can repay its installed cost in just a few short years.





Manufacturers Limited Lifetime Warranty

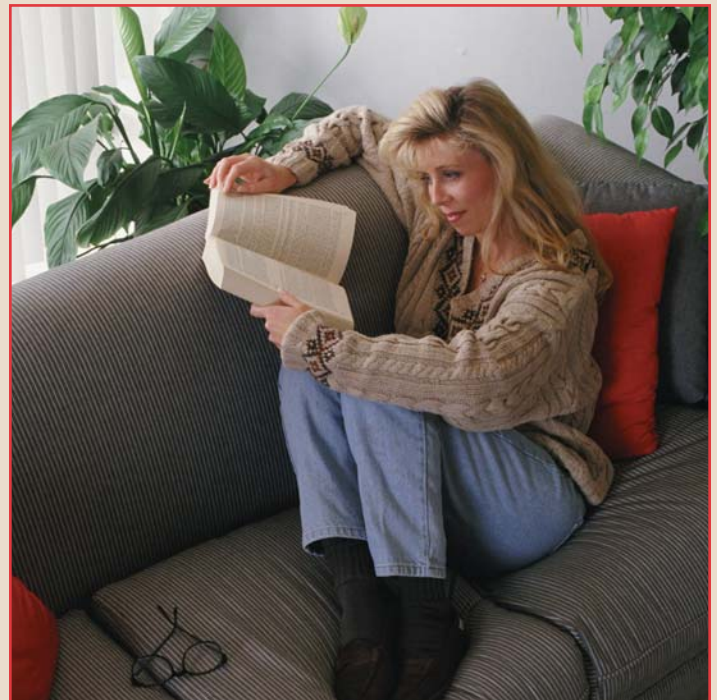
Utica Boilers backs its residential, cast-iron heat exchangers with a Limited Lifetime Warranty. This Warranty is meant to protect your investment, but is also offered to illustrate our commitment to customer satisfaction.

Key BC Boiler Features

- Cast-iron sections and push nipples
- Efficiency rating up to 86% AFUE
- Tankless Heater Option
- 107,800-196,000 BTU/h input (0.77-1.40 gallons/hr)
- Natural draft conventional chimney vented
- Electronic Low Water Cut Off now available to meet the latest codes requirements

BC Boiler Details.

- 1 Top Flue outlet and cleaning access
- 2 Aquastat Control
- 3 Corrosion Resistant, Fully Insulated Jacket
- 4 Flame Inspection Port
- 5 Circulation Pump
- 6 Beckett Oil Burner



BC Series

Ratings and Data

(1) BOILER MODEL NO.	(2) I=B=R OIL BURNER INPUT		D.O.E. HEATING CAPACITY	(3) (5) I=B=R NET RATINGS	MINIMUM NATURAL DRAFT CHIMNEY SIZE		PUMP PRESSURE	NOZZLE FURNISHED	A.F.U.E. RATING
	G.P.H.	MBH	MBH	WATER MBH	ROUND	SQUARE	PSI	140 PSIG	
BC3D*	.77	108	93	75	6	8X8X15	140	.65X80B	86.0
BC3	1.00	140	118	103	6	8X8X15	140	.85X80B	80.0
BC4D*	1.00	140	120	104	6	8X8X15	140	.85X80B	86.0
BC4	1.40	196	165	143	6	8X8X15	140	1.25X80B	81.0

*Indicates an ENERGY STAR® product

Tankless Water Heater Capacities

BOILER NO.	FIRING RATE G.P.H.	TANKLESS HEATER NO.	TANKLESS HEATER CAPACITY INTERMITTENT DRAW G.P.M.	BOILER WATER CONTENT GALS.	COIL TAPPING SIZES
BC3D	0.65	L-24	Available on request	6.7	1/2"
BC3	1.0	L-24	3.25	6.7	1/2"
BC4D	1.0	L-24	3.25	8.2	1/2"
BC4	1.4	L-24	4.00	8.2	1/2"

Dimensions

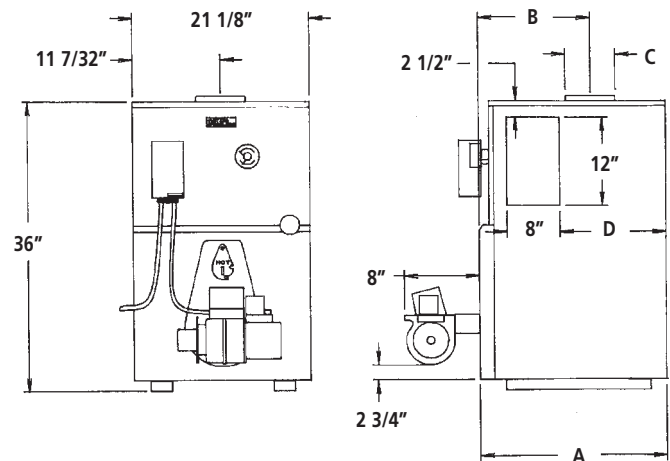
BOILER NO.	A LENGTH OF FLUSH JACKET	B FRONT OF CASTING TO CENTER LINE OF FLUE OUTLET	C DIA. OF FLUE OUTLET	D TANKLESS COIL TO BACK OF JACKET
BC3	19"	9 3/4"	6"	8 7/8"
BC4	23"	11 3/4"	6"	12 3/4"

(Specifications and dimensions are subject to change without notice)

STANDARD EQUIPMENT: Crated Boiler, Flush Jacket, Oil Burner, Target Wall/Liner, Circulator — 1-1/4", ASME Relief Valve, Temperature/Pressure Gauge, Drain Valve, Wiring Harness, Burner Electrical Disconnect, Supply Tapping — 2", Return Tapping — 1-1/2", High Limit and Circulator Control, Primary Control. For Tankless Heater Units — add Tankless Hot Water Coil, Flow Restrictor and Triple Aquastat Relay.

Explanation Notes

1. Add suffix "T" to denote boiler with tankless heater.
2. I=B=R burner capacity is based on an oil heating value of 140,000 Btu/gal. and with 13% CO₂.
3. Net ratings based on 170°F temperature in radiators and include 15% allowance for normal piping and pick-up load. Consult manufacturer for unusual piping and pick-up requirements.
4. Nozzle listed is for use with Beckett burner. When alternate burner is used, consult burner manufacturer's recommendations.
5. For equivalent square feet of radiation, divide I=B=R output by 150.
6. MEA number for the BC series boiler is 47-76E.
7. MEA number for the R.W. Beckett AF burner is 156-77-E.
8. Electrical service to be 120 Volts, 15 Amps & 60 Hz.

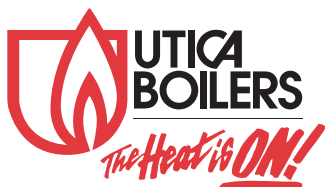


Tested for 30 lbs.
ASME Working
Pressure



Your Assurance Of Quality

Utica Boilers products are designed, tested, and assembled to ensure that you receive the very best in home heating and cooling comfort, and value. Each product meets or exceeds all recognized safety, performance efficiency standards.



P.O. Box 4729 • Utica, New York 13504
Tel. 315-797-1310 • Fax 315-724-9319
Web Site: www.utica boilers.com
E-mail: sales@utica boilers.com

For more information on Utica Boilers heating and cooling products and systems contact your local Utica Boilers distributor. Or call the Utica Boilers Customer Service Department at 1-800-325-5479.

