



MGC SERIES 3

Gas-Fired Hot Water Boilers

PARTS, KITS & OPTIONAL ACCESORIES

Models

MGC-8D
MGC-8DP
MGC-9D
MGC-9DP

Ordering Instructions
Order Parts through your nearest supplier.
When ordering parts, obtain Model Number and Serial from data plate on your boiler.
Include following information when ordering.

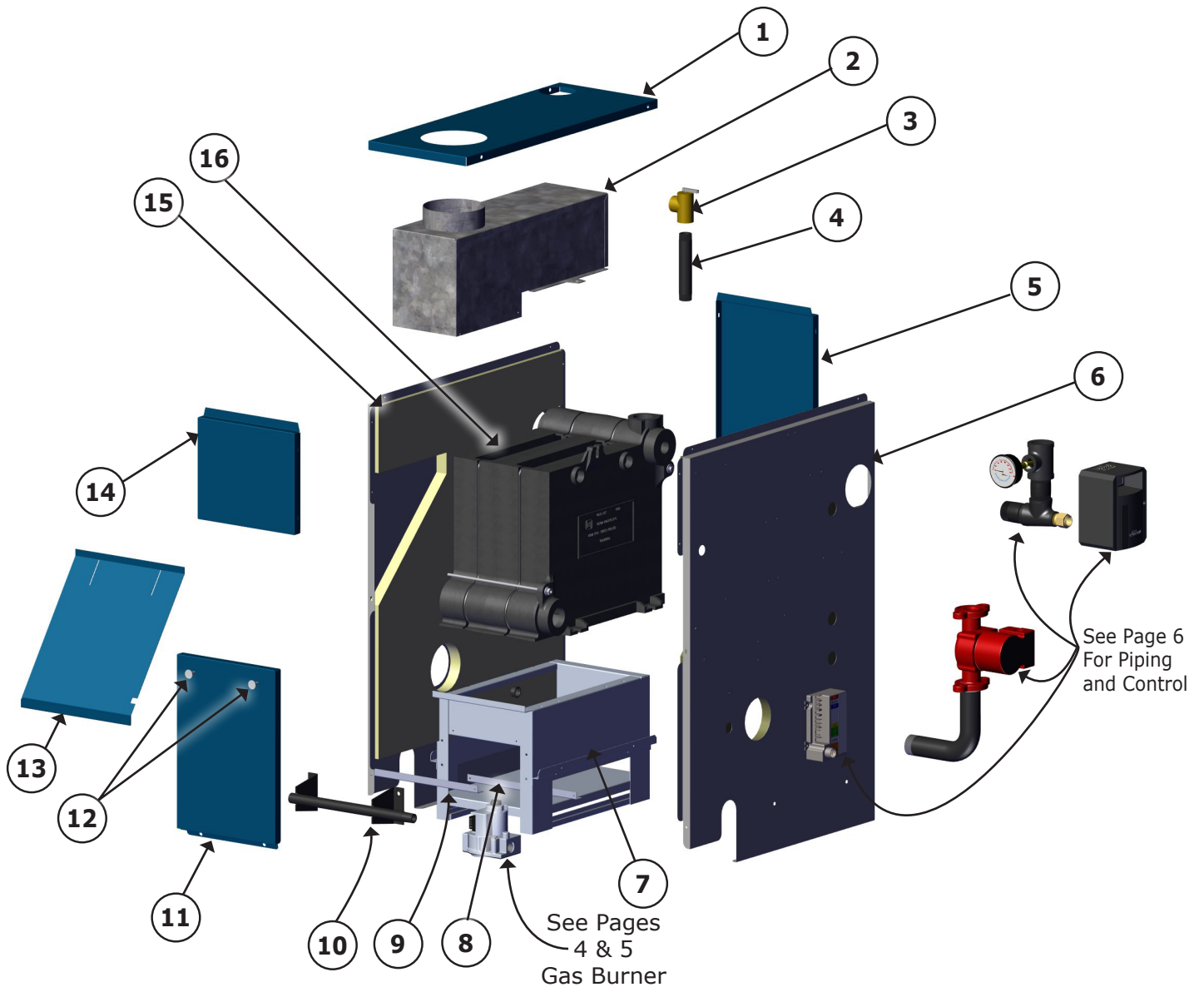
Part Number _____
Part Description _____
Boiler Model Number _____
Boiler Serial Number _____

Check our website frequently for updates: www.ecrinternational.com



Manufactured by:
ECR International Inc.
2201 Dwyer Avenue, Utica, NY 13501
Tel. 800 325 5479
www.ecrinternational.com
PN 240013154 REV. B [10/01/2021]

REPAIR PARTS



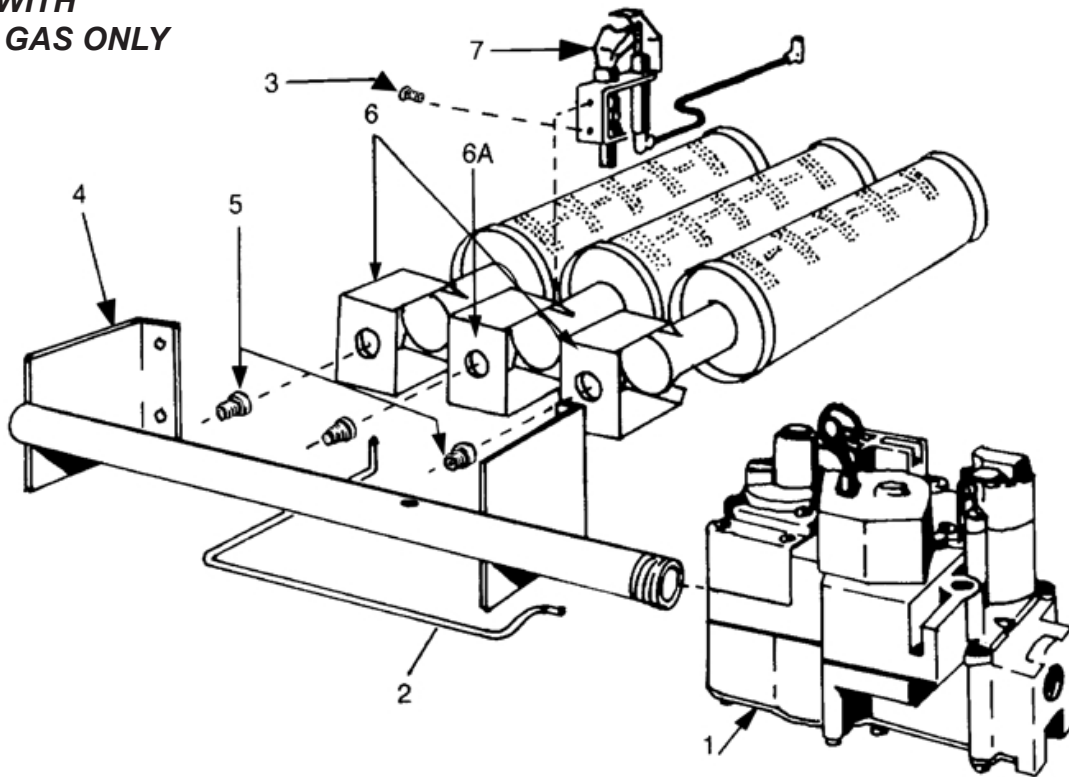
REPAIR PARTS

JACKET ASSEMBLY

KEY NO.	Part Number		DESCRIPTION
	8 SECTION	9 SECTION	
‡	550002546	550002547	Jacket Complete
1	42500848AC	42500849AC	Jacket, Top Panel
2	42500678	42500679	Draft Diverter
3	14622011		3/4" ASME Safety Relief Valve
4	14607002		3/4" x 6 1/2" Nipple
5	42500838AC	42500839AC	Jacket, Back Panel
6	109008574AD		Jacket, Right Side Panel
7a	42500668	42500669	Base
7b	14614130		Base Insulation Sides (2)
	14614118	14614119	Base Insulation Front
	14614128	14614129	Base Insulation Rear
8	42500648	42500649	Base Baffle
9	42500658	42500659	Jacket Tie Bar
10	See Pages 4 & 5		Gas Manifold
11	42500828AC	42500829AC	Jacket, Service Door
12	13702153		Knob, Service Door (Pair)
13	42500818AC	42500819AC	Jacket, Diverter
14	42500808AC	42500809AC	Jacket, Front Panel Upper
15	109008736AD		Jacket, Left Side Panel
16	41000831	41000931	Block Assembly
‡	14614018		Cerafelt Gasket
‡	240006939		Vent Damper
‡	43300668	43300669	Base Assembly (7a, 7b, 8)
‡ Not illustrated			

REPAIR PARTS

**FOR USE WITH
NATURAL GAS ONLY**

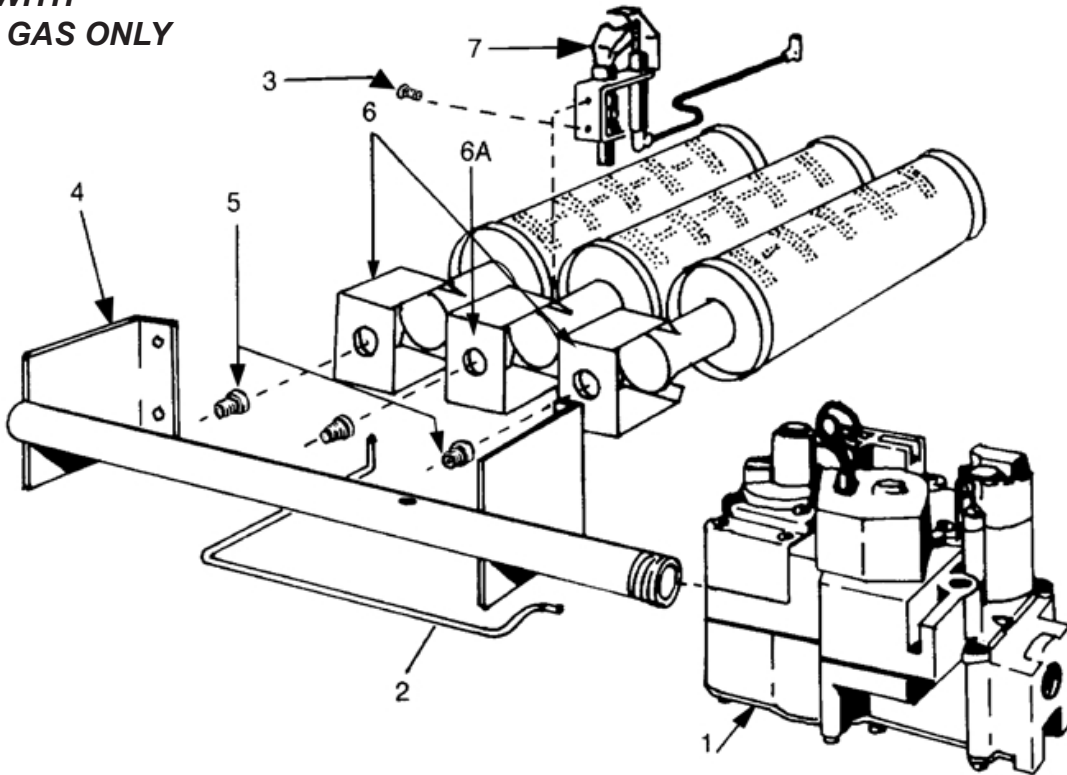


**NOTE: Actual gas valve may look
different than gas valve shown**

NATURAL GAS BURNER & MANIFOLD PARTS			
KEY NO.	Part Number		DESCRIPTION
	8 SECTION	9 SECTION	
1	14662058		Gas Valve, Natural Gas
2	14615006		Pilot Tube
3	14695301		10-32 x 3/16" Slotted Hex Head Screws (2 REQD)
4	14616015	14616016	Gas Manifold
5	240013128		Main Burner Orifice*
6	14615532		Main Burner Regular**
6A	14615531		Main Burner, Pilot Mount
7	240011102		Pilot Burner
‡	42500938	42500939	Rollout Shield
*Requires 1 less than the number of sections.			
**Requires 2 less than the number of sections.			
‡ Not illustrated			

REPAIR PARTS

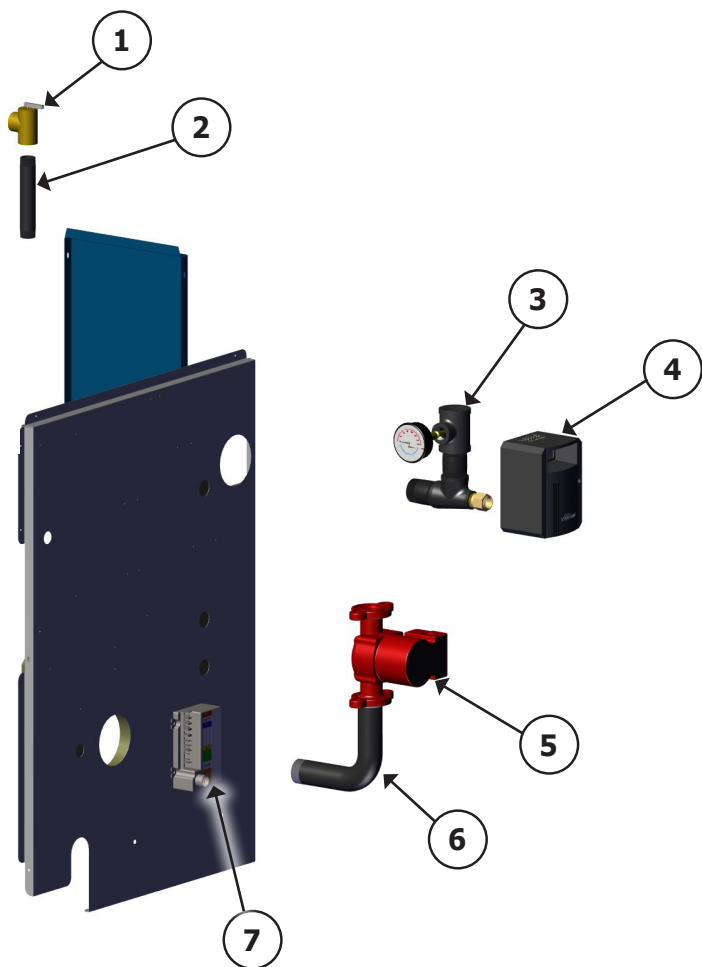
**FOR USE WITH
PROPANE GAS ONLY**



**NOTE: Actual gas valve may look
different than gas valve shown**

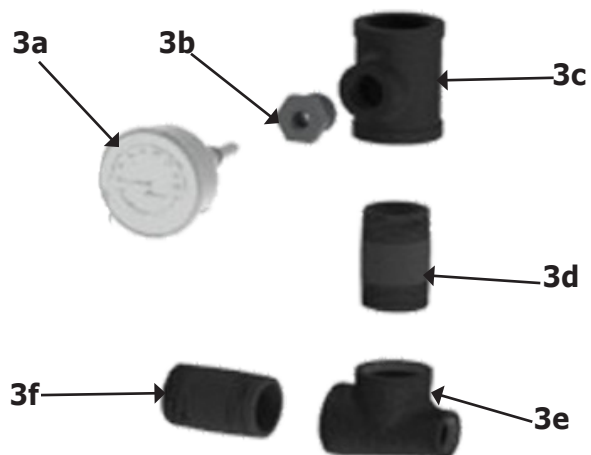
PROPANE GAS BURNER & MANIFOLD PARTS			
KEY NO.	Part Number		DESCRIPTION
	8 SECTION	9 SECTION	
1	550002740		Gas Valve, LP Gas
2	14615006		Pilot Tube
3	14695301		10-32 x 3/16" Slotted Hex Head Screws (2 REQD)
4	14616015	14616016	Gas Manifold
5	240013145		Main Burner Orifice*
6	14615532		Main Burner Regular**
6A	14615531		Main Burner, Pilot Mount
7	240011102		Pilot Burner (includes)***
	PB00208		
	14662087		
‡	42500938	42500939	Rollout Shield
*Requires 1 less than the number of sections. **Requires 2 less than the number of sections. *** Pilot shipped natural gas only orifice and fitting required for LP conversion			
‡ Not illustrated			

BOILER CONTROLS AND PIPING



Key No.	Part No.	DESCRIPTION
1	14622011	3/4" ASME Relief Valve
2	14607002	3/4" x 6 1/2" Nipple
3	1260006SP	3a Temperature Pressure Gauge - 2" shank
	1060002	3b Bushing, 3/4" x 1/4", Black Iron
	PF05901	3c Tee, 1 1/4" x 1 1/4" x 3/4", Black Iron
	14607044	3d Adapter, 1 1/4" x 2 1/2", Black Iron
	1510001	3e 1 1/4" x 3/4" x 1 1/4" Tee
	14607044	3f 1 1/4" x 2 1/2" Nipple
4	240009113	Hydrolevel Control
‡	240009989	Replacement Sensor Only For Hydrolevel 3250 (12")
5	CI-006.01	Grundfos Pump UP15-42F Circulator
	CI-001.03	Taco Pump 007
6	14607003	1 1/4" Bent Return Adapter
7	14662070	Intermittent Pilot Control
‡	240007709	Sensor Well
‡	1500009	Blocked Vent Safety Switch (36TX16-6282) 280°F
‡	14629002	Rollout Switch
‡	240006939	7" Vent Damper
‡	14693008	2 1/2" x 1 1/4" Bushing (2 REQD)
‡	14693024	2 1/2" Plug
‡	14693083	2 1/2" x 3/4" Bushing
‡	1395003	1/2" Plug (3 REQD)
‡	240006837	400°F Black Silicone Rubber Adhesive Sealant (10.3 oz. Cartridge)
‡ Not illustrated		

Temperature Pressure Gauge Assembly



REPAIR PARTS**MISCELLANEOUS PARTS**

Part No.	DESCRIPTION	QTY.
37519501	Circulator Harness	1
240005480	Damper Harness, 61"	1
240010924	Wire Harness, Rollout/Blocked Vent Safety Switch	2
43300942	Wire Harness, Gas Valve	1
EF-016.01	Strain Relief Connector	1
240010487	Wire Clip	1
206000023	Bushing, 7/8 to 3/4	1
14634032	Strain Relief Bushing	2
14695074	Screw, 10 x 12	2



2201 Dwyer Avenue, Utica, NY 13501
Tel. 800 325 5479
www.ecrinternational.com

All specifications subject to change without notice.
©2021 ECR International, Inc.