



KEYSTONE

OIL-FIRED CAST IRON
HOT WATER BOILER

Parts and Optional Accessories

Model

UH3KWC0.80(T)

UH4KWC1.00(T)

UH4KWC1.25(T)

UH5KWC1.55(T)

Ordering Instructions

Order Parts through your nearest supplier.

When ordering parts, obtain Model Number and Serial Number from data plate on your boiler.

Include following information when ordering.

Part Number _____

Part Description _____

Boiler Model Number _____

Boiler Serial Number _____



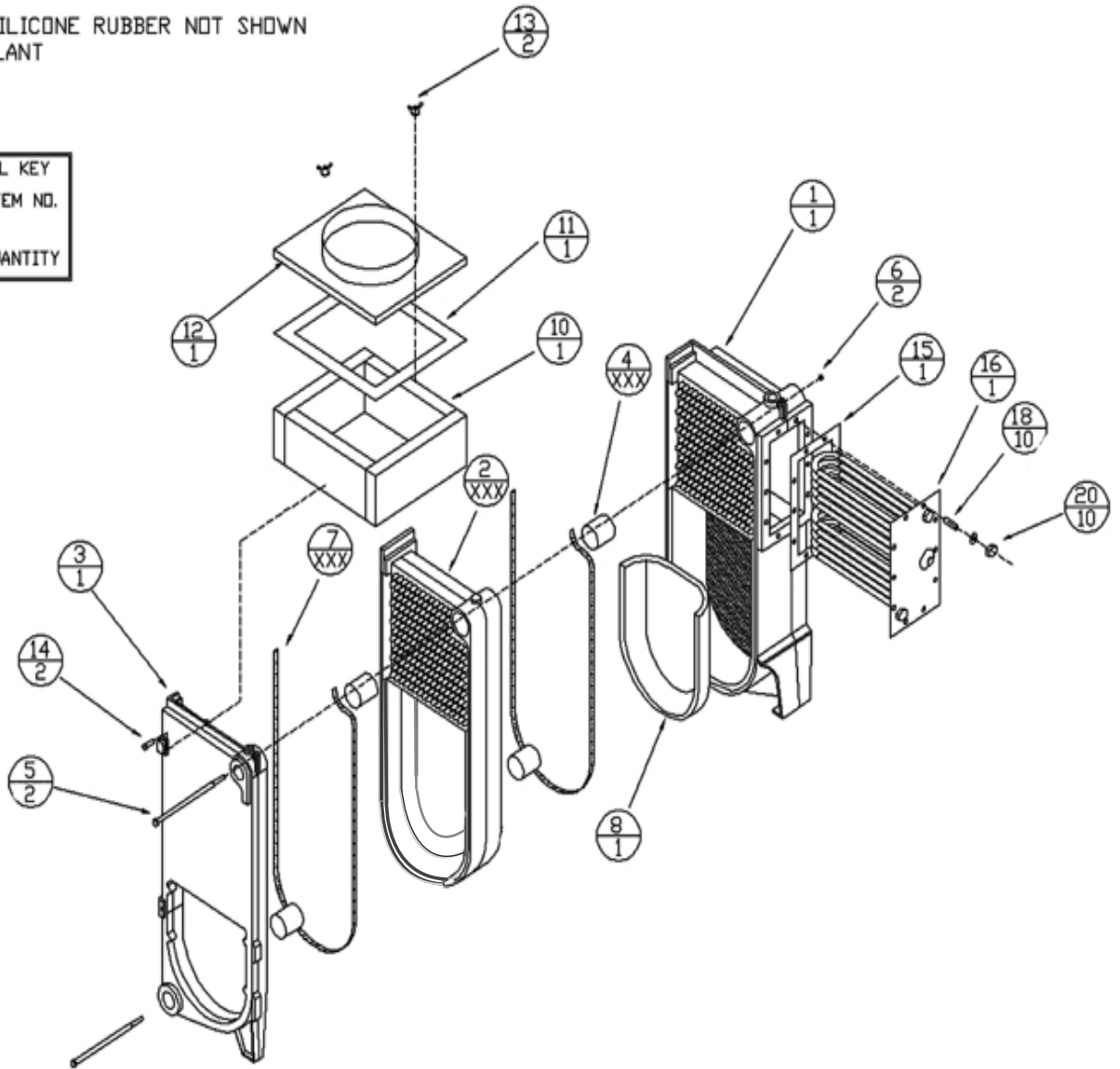
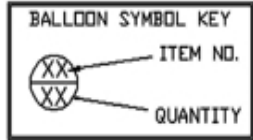
Manufactured by:
ECR International Inc.
2201 Dwyer Avenue, Utica, NY 13501
Tel. 800 325 5479
www.ecrinternational.com
PN 240013024 REV. B [12/31/2020]

REPAIR PARTS

17/1 COVER PLATE FOR BOILERS WITHOUT TANKLESS COIL NOT SHOWN

21/2 1 1/4" SQUARE HEAD PLUGS NOT SHOWN

22/XXX 400°F BLACK SILICONE RUBBER NOT SHOWN
ADHESIVE SEALANT



REPAIR PARTS

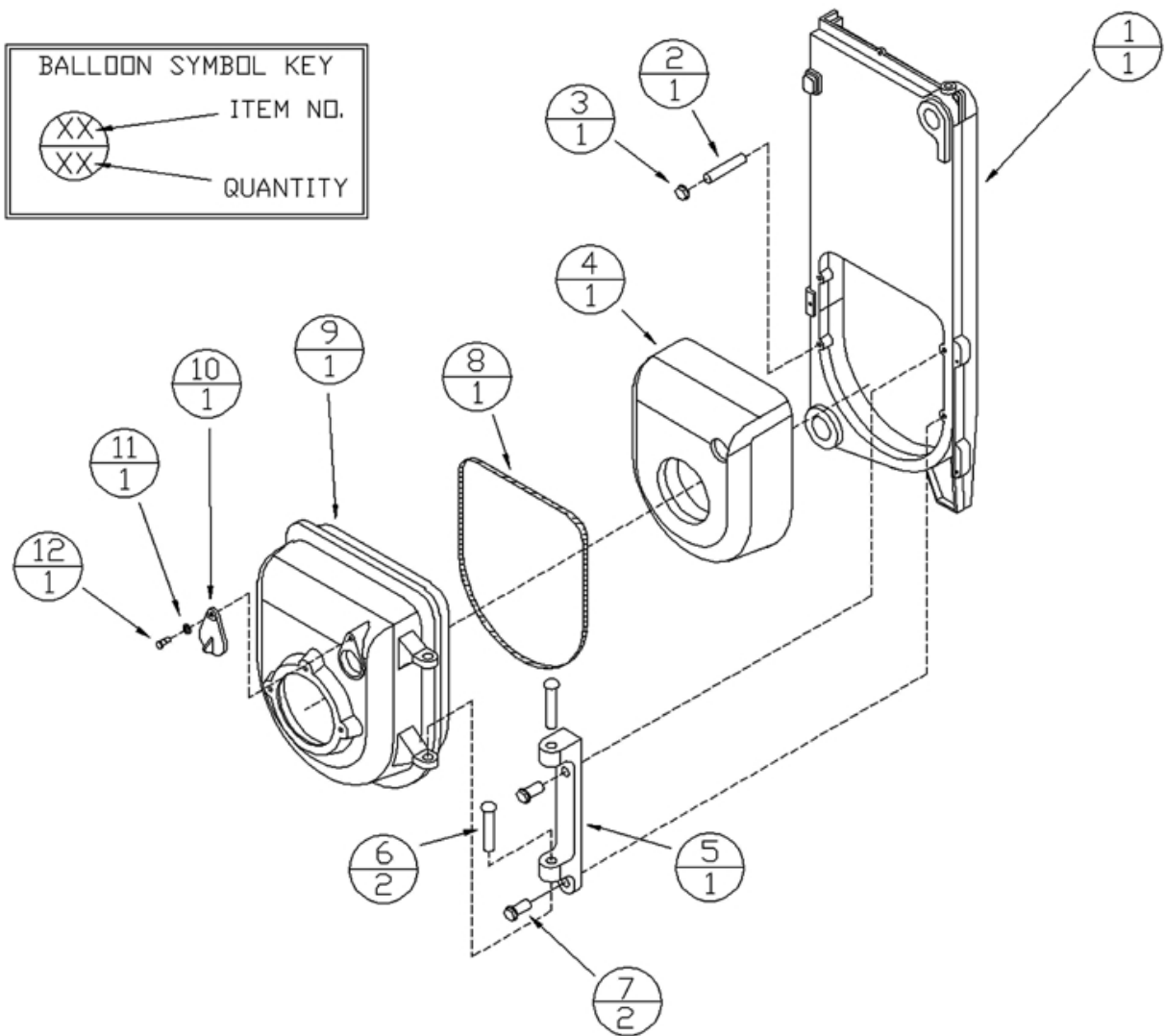
ITEM	DESCRIPTION	3	4	5
1	Water Boiler Back Section (3)	40300008	40300008	40300008
2	Water Boiler Middle Section (2)	40300007	40300007	40300007
3	Empire Water Front Section (1)	40300006	40300006	40300006
4*	Cast Iron Machined Nipples 2"	43300976	43300976	43300976
5*	1/4" Tie Rods	14605002	14605051	14605053
6	Tie Rods 1/4"20 Hex Head Nut	HW-003.02	HW-003.02	HW-003.02
7*	5/16" x 701/2" Braided Rope	43300955	43300955	43300955
8	Target Wall	14619003	14619003	14619003
10	Collector Complete (includes 11, 12, 13)	42500279	42500280	42500281
11	Insulation Tape (includes 10, 12, 13)			
12	Collector Top (includes 10,11,13)			
13	8/32" Brass Wing Nut	13704007	13704007	13704007
14	5/16 X 1¼ Type A Hex Washer Head Screw	14695039	14695039	14695039
15**	Coil Gasket	240007071	240007071	240007071
16**	3.7 GPM Tankless Coil	14627020	14627020	14627020
17	Coil Housing Cover Plate (not shown)	43300256	43300256	43300256
18**	Stainless Steel 3/8"16 x 1-1/2" Stud	14695113	14695113	14695113
20**	Stainless Steel 3/8" Top Lock Nut	1330008	1330008	1330008
21	1¼" Solid Plug (not shown)	1395002	1395002	1395002
22	Black Silicone Sealant (not shown)	240006837	240006837	240006837
‡	*** Heat Exchanger Assembly	550003930	550003931	550003932
‡	**Replacement Coil Kit (contains items 15, 16, 18, 20)	43360408	43360408	43360408
‡	Coil Conversion Kit (adds Tankless coil to non-coil boiler, contains items 15, 16 and control well)	550003211	550003211	550003211

* Note: Item quantities marked XXX vary depending upon the number of sections. Four cast iron nipples for first middle replacement section and two for each additional section. Black silicone sealant is sold in 10.1 oz. Cartridges.

‡ Not illustrated.

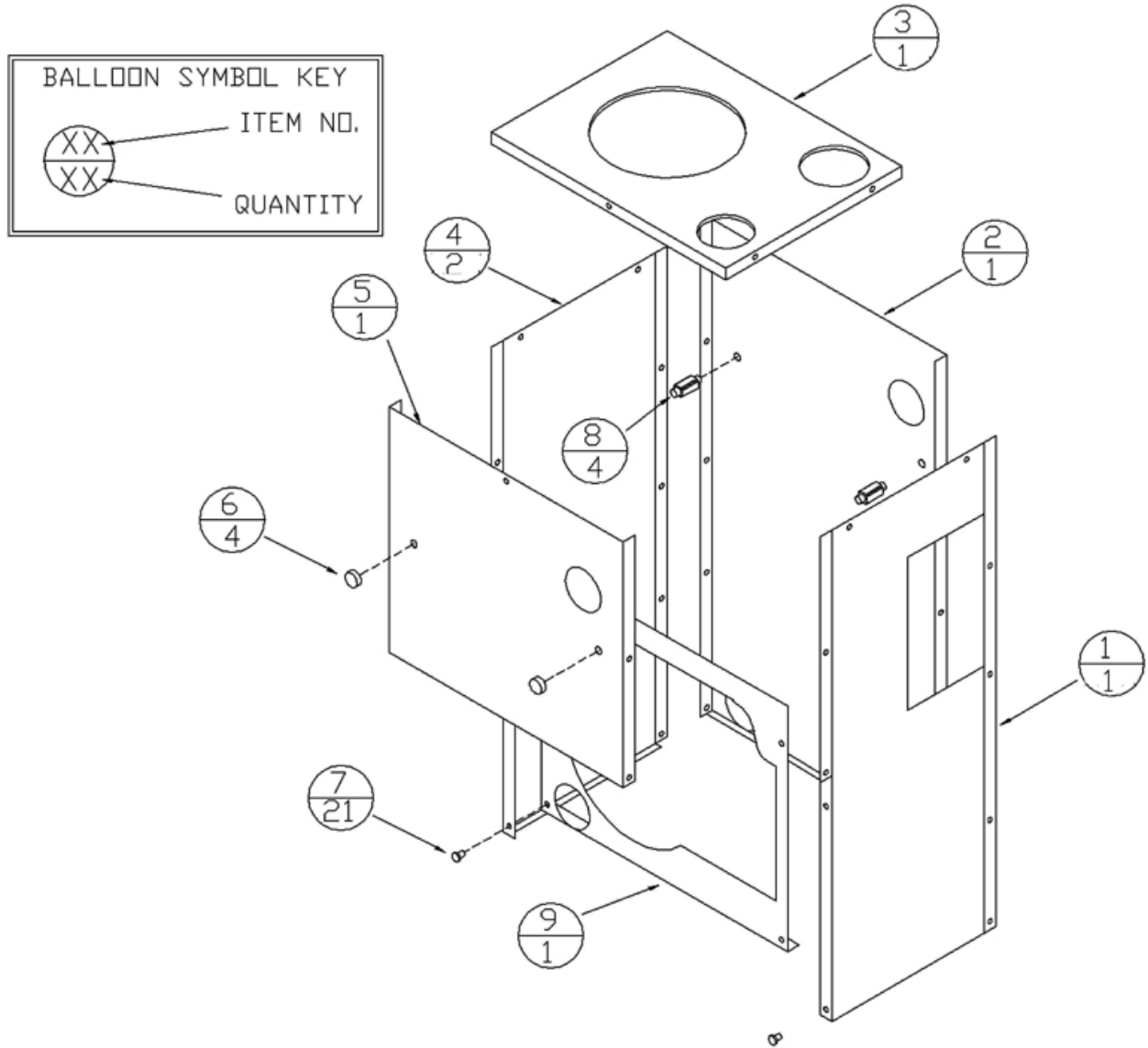
*** Includes swing door assembly and new tankless coil gasket. Does not include flue collector (item 10), tankless coil (item 16) or coil cover plate (item 17). Order these items separately as needed.

REPAIR PARTS



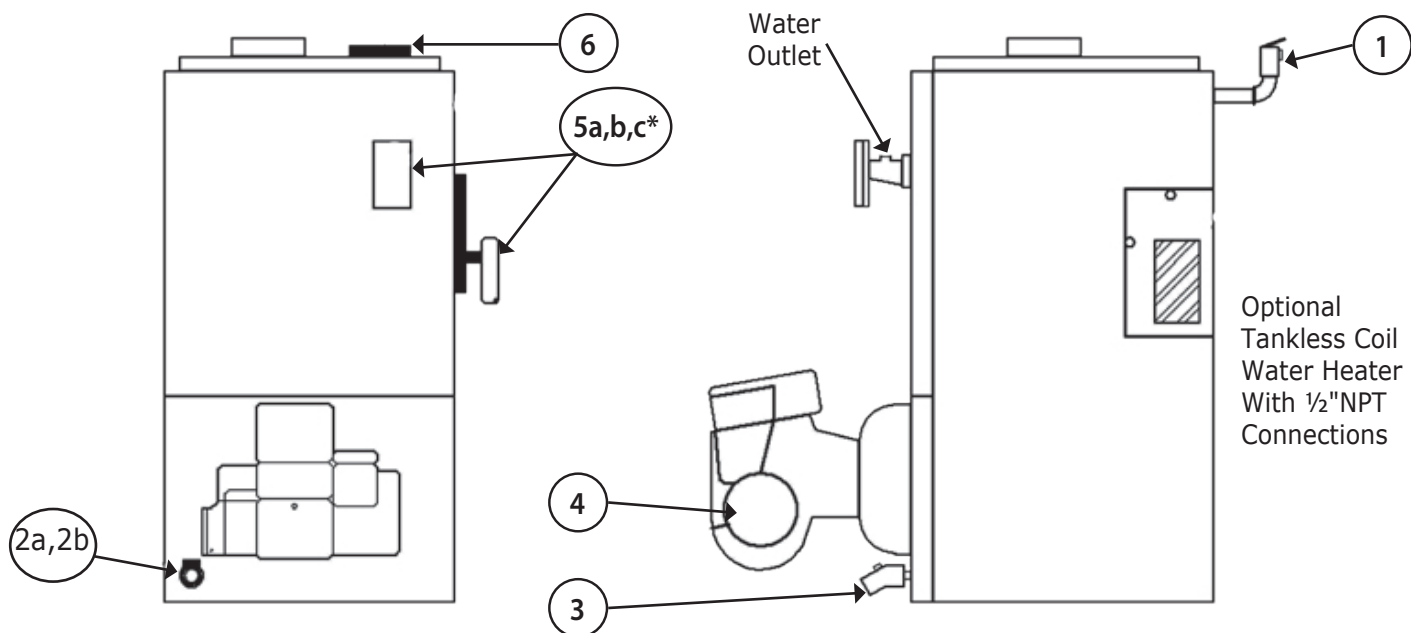
ITEM	DESCRIPTION	PART#
1	Empire Water Front Section (EW1)	40300006
2	3/8" - 16 X 2-1/4" stud	14695125
3	3/8" Whizlock Nut	14695126
4	Swing Door Insulation	14614014
5	Swing Door Hinge	40300010
6	1/4" x 2" Round Head Rivet	14695121
7	3/8" x 1" Hex Head Serrated Flange Bolt	14695124
8	3/8" x 48" Round Braid	43300905
9	Swing Door	40300009
10	Observation Door	40300014
11	5/16" Lock Washer	14695123
12	3/8" x 3/8" Shoulder Bolt 5/16"-18 Thread	14695122

REPAIR PARTS



ITEM	DESCRIPTION	3	4	5
1	Right Side Jacket Panel	42500244AD	42500245AD	42500246AD
2	Back jacket Panel	42500269AD	42500269AD	42500269AD
3	Top jacket Panel	42500254AD	42500255AD	42500256AD
4	Left Side Jacket Panel	42500264AD	42500265AD	42500266AD
5	Upper Side Jacket Panel	42500267AD	42500267AD	42500267AD
6	5/16" Acorn Nut	14695042	14695042	14695042
7	#10 x 1/2" Jacket Screw	14695074	14695074	14695074
8	Stand Off	14695103	14695103	14695103
9	Lower Front Jacket Panel (boiler w/swing door)	42500268AD	42500268AD	42500268AD
XX	Complete Jacket for Boiler with Swing Door	42600289AD	42600290AD	42600291AD

REPAIR PARTS



* Item 5a Hydrolevel limit control is located on front supply tapping for less-coil boilers and on tankless coil cover plate for with-coil boilers. Note different control well used in each location.

ITEM	DESCRIPTION	3	4	5
1	¾" Safety Relief Valve		14622011	
2a	1¼" x 2½" Pipe Nipple		14607044	
2b	1¼" x ¾" x 1¼" Reducing Tee		1510001	
3	¾" Drain Valve		240009323	
4	Oil Burner, Beckett AFG	550003927	550003960	550003960
5a	Limit Control Hydrolevel 3250 with Sensor		240010867	
5b	Replacement Sensor Only		240009989	
5c	Long Control Well for Front Supply Tapping		240007709	
	Short Control Well for Tankless Coil Plate		240009283	
6	Temperature Pressure Gauge 2" Stem		1260006	
*	Taco 007 Circulator		CI-001.03	
*	Circulator, Grundfos UP15-42F		CI-006.01	



2201 Dwyer Avenue, Utica, NY 13501

Tel. 800 325 5479

www.ecrinternational.com

All specifications subject to change without notice.

©2020 ECR International, Inc.