



**STARFIRE IV  
WATER  
OIL FIRED  
CAST IRON BOILER**

- Models**  
**SFH-3085**  
**SFH-3100**  
**SFH-4100**  
**SFH-4125**  
**SFH-4145**  
**SFH-5160**  
**SFH-5185**  
**SFH-6185**  
**SFH-6210**

**PARTS AND OPTIONAL ACCESSORIES**

Ordering Instructions:

Order Parts through your nearest supplier.

When ordering parts, obtain Model Number and Serial Number from data plate on your boiler.

Include following information when ordering.

Part Number \_\_\_\_\_

Part Description \_\_\_\_\_

Boiler Model Number \_\_\_\_\_

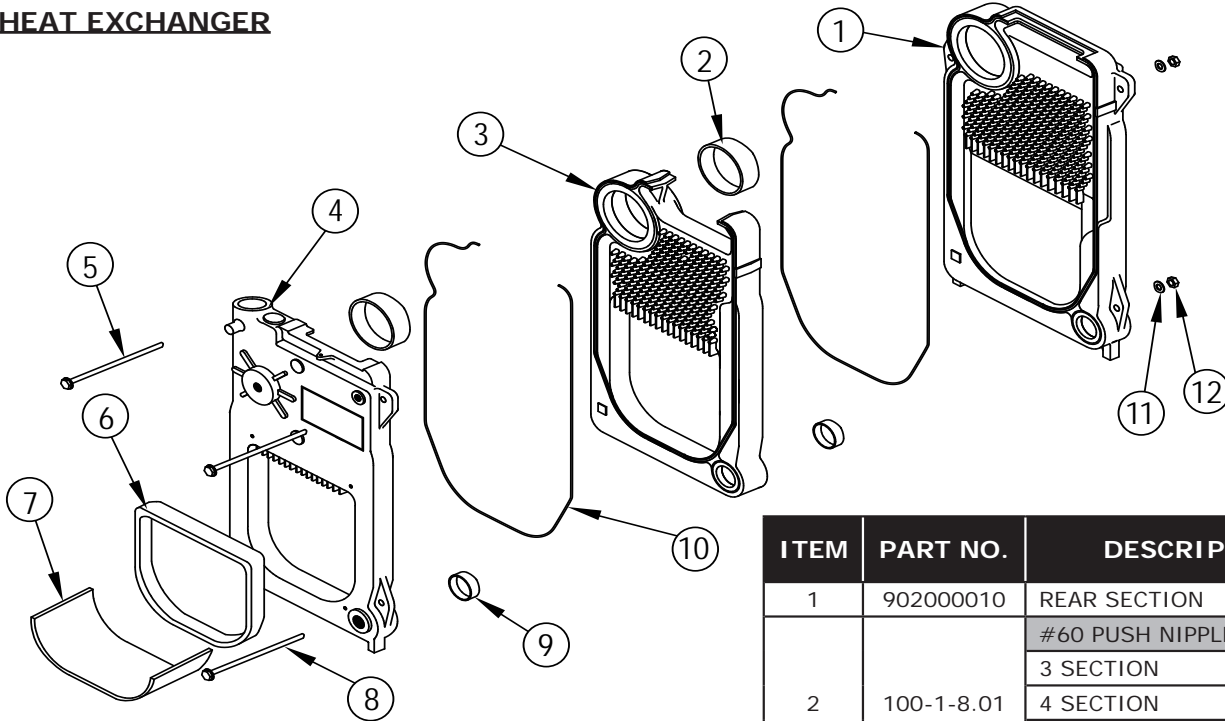
Boiler Serial Number \_\_\_\_\_



**Manufactured by:**  
ECR International Inc.  
2201 Dwyer Avenue, Utica, NY 13501  
Tel. 800 253 7900  
[www.ecrinternational.com](http://www.ecrinternational.com)  
PN 240012629 REV. A [09/30/2019]

## REPLACEMENT PARTS

### HEAT EXCHANGER

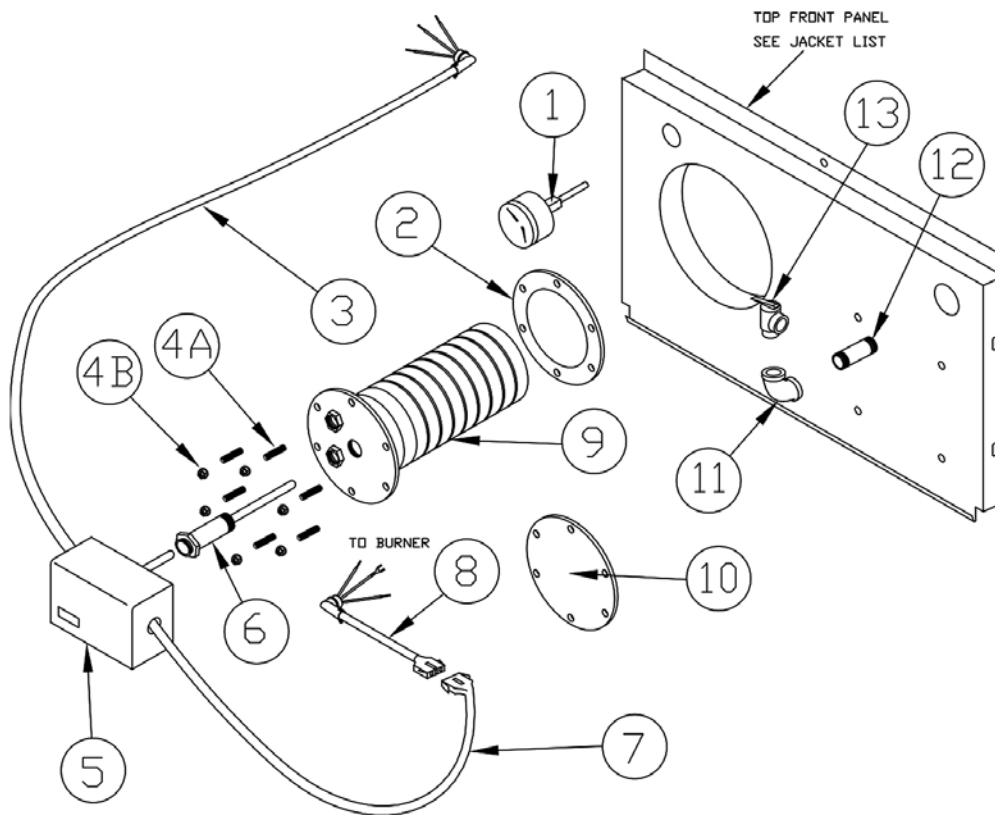


| FULLY ASSEMBLED HEAT EXCHANGERS |                            |
|---------------------------------|----------------------------|
| 912000039                       | 3 SECT. TNKLS W/O COIL     |
| 912000043                       | 4 SECT. TNKLS W/O COIL     |
| 912000047                       | 5 SECT. TNKLS W/O COIL     |
| 912000051                       | 6 SECT. TNKLS W/O COIL     |
| 912000040                       | 3 SECT. WITH TANKLESS COIL |
| 912000044                       | 4 SECT. WITH TANKLESS COIL |
| 912000048                       | 5 SECT. WITH TANKLESS COIL |
| 912000052                       | 6 SECT. WITH TANKLESS COIL |
| 912000038                       | 3 SEC. WITH CAST OVER      |
| 912000042                       | 4 SEC. WITH CAST OVER      |
| 912000046                       | 5 SEC. WITH CAST OVER      |
| 912000050                       | 6 SEC. WITH CAST OVER      |

| ITEM | PART NO.   | DESCRIPTION                            | QTY |
|------|------------|--|-----|
| 1    | 902000010  | REAR SECTION                           | 1   |
| 2    | 100-1-8.01 | #60 PUSH NIPPLE                        |     |
|      |            | 3 SECTION                              | 2   |
|      |            | 4 SECTION                              | 3   |
|      |            | 5 SECTION                              | 4   |
|      |            | 6 SECTION                              | 5   |
| 3    | 902000009  | CENTER SECTION                         |     |
|      |            | 3 SECTION                              | 1   |
|      |            | 4 SECTION                              | 2   |
|      |            | 5 SECTION                              | 3   |
| 4    | 902000007  | FRONT SECT. CASTOVER                   | 1   |
|      | 902000008  | FRONT SECT. TANKLESS COIL              |     |
| 5    | HW02510    | TIE ROD 1/2 X 10 5/8 (3 SEC)           | 2   |
|      | HW02511    | TIE ROD 1/2 X 14 1/4 (4 SEC)           |     |
|      | HW02512    | TIE ROD 1/2 X 17 7/8 (5 SEC)           |     |
|      | HW02514    | TIE ROD 1/2 X 21 3/4 (6 SEC)           |     |
| 6    | 5611508    | KIT - TARGET WALL & INSULATION BLANKET | 1   |
| 7    | 25511005   | INSUL BLANKET 16X24 (6 SECTION)        | 1   |
| 8    | HW-025.01  | TIE ROD 1/2 X 12 1/2 (4 SEC)           | 1   |
|      | HW-025.02  | TIE ROD 1/2 X 16 1/2 (5 SEC)           |     |
|      | HW-025.03  | TIE ROD 1/2 X 20 1/2 (6 SEC)           |     |
|      | HW-025.05  | TIE ROD 1/2 X 9 (3 SEC)                |     |
| 9    | 100-1-5.01 | #22 PUSH NIPPLE                        |     |
|      |            | 3 SECTION                              | 2   |
|      |            | 4 SECTION                              | 3   |
|      |            | 5 SECTION                              | 4   |
|      |            | 6 SECTION                              | 5   |
| 10   | 3002172    | ROPE MED DENSITY                       |     |
|      |            | 3 SECTION                              | 2   |
|      |            | 4 SECTION                              | 3   |
|      |            | 5 SECTION                              | 4   |
|      |            | 6 SECTION                              | 5   |
| 11   | HW-008.03  | WASHER 1/2 ID FLAT                     | 3   |
| 12   | HW-003.05  | NUT 1/2-13 HEX HEAD                    | 3   |

## REPLACEMENT PARTS

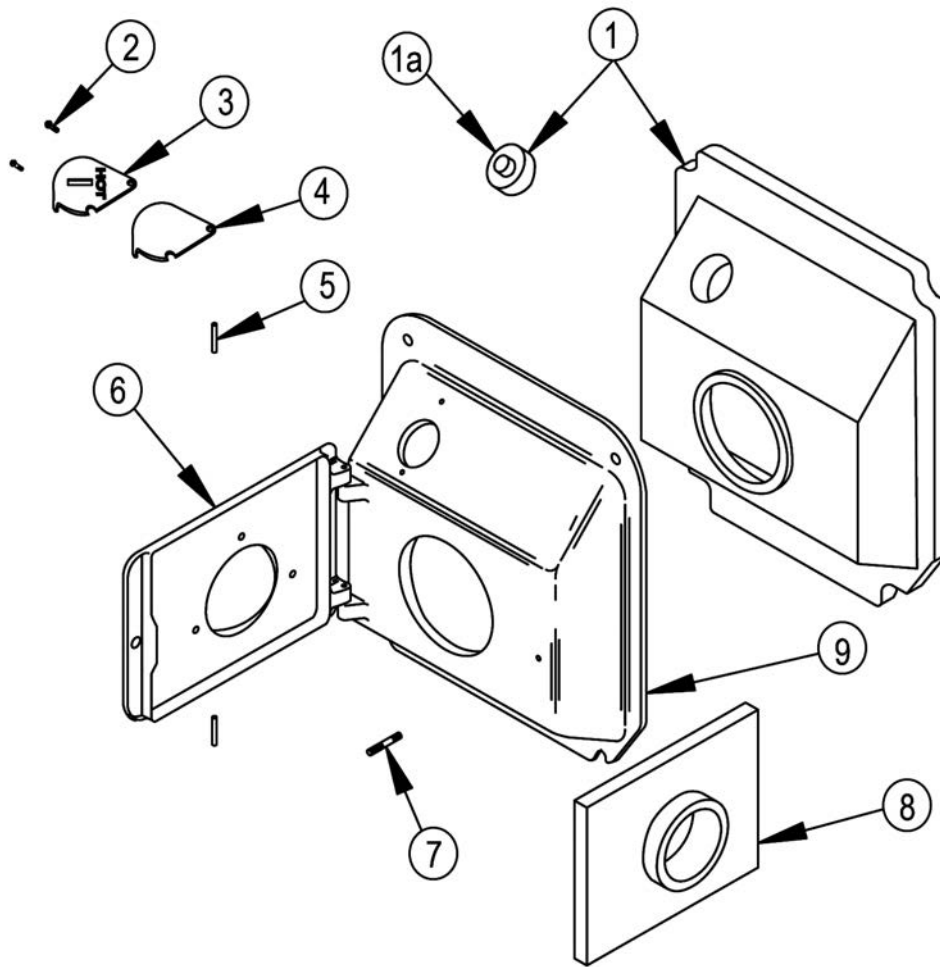
### COIL



| ITEM  | PART NO.  | DESCRIPTION   | QTY |
|---|-----------|---|-----|
| 1   | 1260006   | TEMPERATURE - PRESSURE GAUGE  | 1   |
| 2   | 240007072 | GASKET - GARLOCK 3760   | 1   |
| 3   | 37519501  | HARNESS CIRCULATOR 72"  | 1   |
| 4A  | 14695113  | STUD 18-8 STL, 3/8"-16 X 1-1/2"                                     | 6   |
| 4B  | 1330008   | NUT ST STL, SERRATED HEX WASHER HEAD, 3/8"-16                       | 6   |
| 5   | 240010867 | HYDROLEVEL, 3250 WITH TEMP LIMIT, LWCO, W/SENSOR                    | 1   |
|   | 240009989 | REPLACEMENT SENSOR ONLY FOR HYDROLEVEL 3250                         | 1   |
| 6   | 240009115 | WELL, HYDROSTAT 3250  | 1   |
| 7   | 2851401   | HARNESS CTRL BOX (BECKETT BURNERS AND RIELLO F10 BURNERS)           | 1   |
|   | 28511801  | HARNESS , CTRL BOX (RIELLO F5 & Carlin EZ-1/2 BURNERS)              | 1   |
| 8   | 1263011   | HARNESS, BURNER (RIELLO F5)   | 1   |
|   | 2851801   | HARNESS, BURNER (RIELLO F10)  | 1   |
|   | 240010425 | HARNESS, BURNER (BECKETT AFG, & Carlin EZ-1/2 INCLUDED WITH BURNER) | 1   |
| 9   | 5612001   | TANKLESS COIL KIT P3 (FOR 3 SECTION BOILERS)                        | 1   |
|   | 5612002   | TANKLESS COIL KIT T4 (4, 5 & 6 SECT. BOILERS)                       | 1   |
| <b>(ABOVE KITS INCLUDE ITEM NOS. 2, 4 AND THE APPROPRIATE COIL)</b> |           |   |     |
| 10  | 27511401  | TANKLESS - COVER KIT  | 1   |
|   |           | (KIT INCLUDES ITEM NOS. 2, 4 AND COVER PLATE)                       | 1   |
| 11  | 1190001   | PIPE FIT ELBOW 3/4" NPT   | 1   |
| 12  | 1310001   | PIPE FIT - NPL 3/4" X 4" NPT  | 1   |
| 13  | VR-001.01 | SAFETY RELIEF VALVE 30#, CONBRACO 16-407-05                         | 1   |
| NOT SHOWN   | 550001908 | GASKET REPLACEMENT KIT (INCLUDES ITEMS #2 & #4)                     | 1   |

## REPLACEMENT PARTS

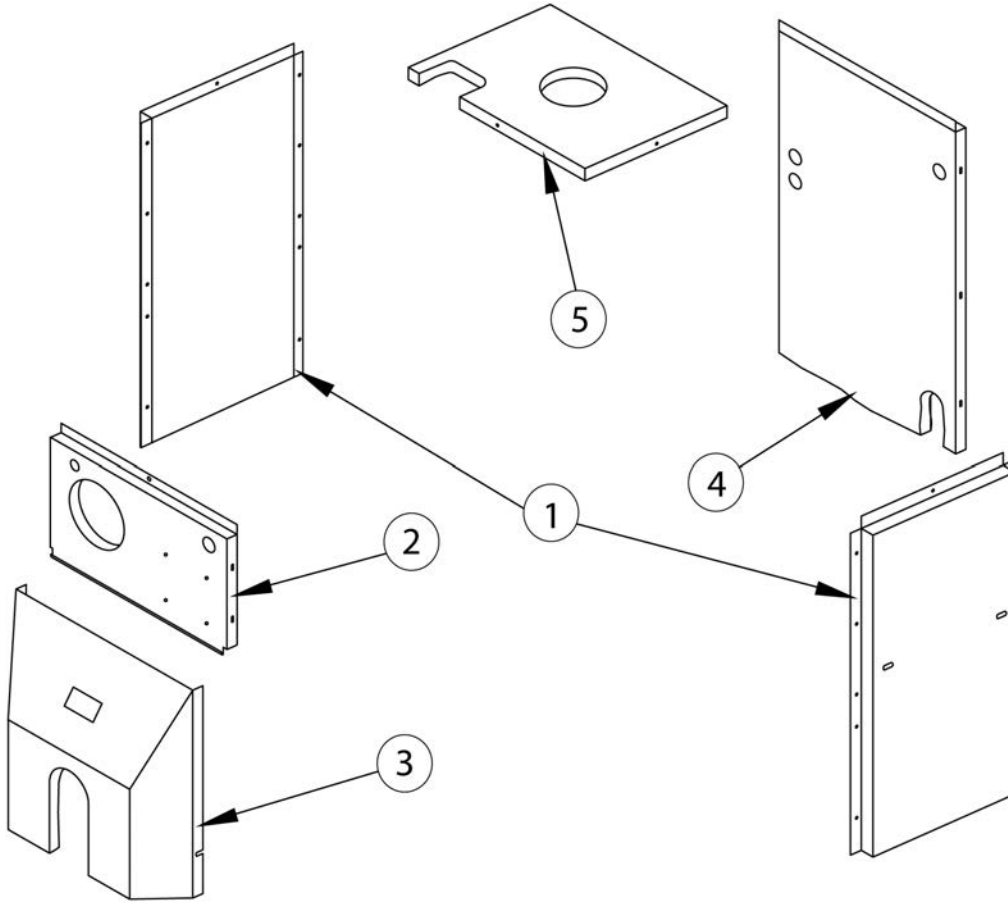
### SWING DOOR AND MOUNTING DOOR COMPONENTS



| ITEM # | PART #    | DESCRIPTION  | QTY |
|--------|-----------|--|-----|
| 1      | 2552901   | MOUNTING DOOR INSULATION & PLUG                    | 1   |
| 2      | HW-005.01 | SCREW 1/4-20X1/2 SELF TAPPING                      | 2   |
| 3      | 10011701  | OBSERVATION DOOR                                   | 1   |
| 4      | 25511101  | OBS. DOOR GASKET                                   | 1   |
| 5      | HW06801   | 1/4X1.3/4 DRIVE LOCK PIN                           | 2   |
| 6      | 10011501  | SWING DOOR   | 1   |
| 7      | HW06701   | 5/16X18X2.3/8 STUD                                 | 1   |
| 8      | 2553303   | INSULATION-SWING DOOR (BECKETT AND CARLIN BURNERS) | 1   |
|        | 2553301   | INSULATION-SWING DOOR (RIELLO BURNERS)             | 1   |
| 9      | 10011301  | MOUNTING DOOR                                      | 1   |

## REPLACEMENT PARTS

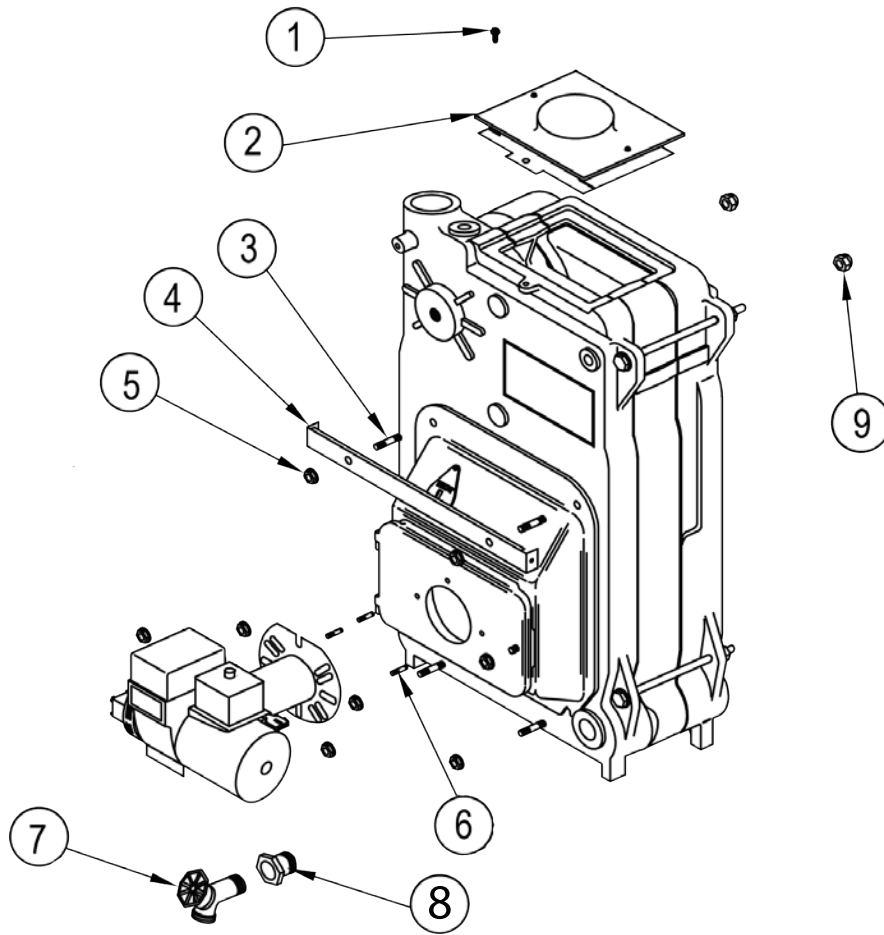
### JACKET



| ITEM # | PART #     | DESCRIPTION                        | QTY |
|--------|------------|------------------------------------|-----|
| 1      | 21521802   | SIDE PANEL 3 SECTION               | 2   |
|        | 21521803   | SIDE PANEL 4 SECTION               |     |
|        | 21521804   | SIDE PANEL 5 SECTION               |     |
|        | 21521805   | SIDE PANEL 6 SECTION               |     |
| 2      | 21522401   | TOP FRONT PANEL C/O                | 1   |
|        | 21522402   | TOP FRONT PANEL TNKLS COIL (SHOWN) |     |
| 3      | 21521901   | LOWER COWL                         | 1   |
| 4      | 21521501   | REAR PANEL                         | 1   |
| 5      | 215-1-3.02 | TOP PANEL 3 SECTION                | 1   |
|        | 215-1-3.03 | TOP PANEL 4 SECTION                |     |
|        | 215-1-3.04 | TOP PANEL 5 SECTION                |     |
|        | 2151307    | TOP PANEL 6 SECTION                |     |

## REPLACEMENT PARTS

### HARDWARE



| ITEM # | PART #    | DESCRIPTION                    | QTY |
|--------|-----------|--------------------------------|-----|
| 1      | HW-005.01 | SCREW 1/4-20X1/2 SELF TAP      | 1   |
| 2      | 2452902   | FLUE COLLECTOR ASSY (4 SECT)   | 1   |
|        | 2452903   | FLUE COLLECTOR ASSY (5 SECT)   |     |
|        | 2452906   | FLUE COLLECTOR ASSY (3 SECT)   |     |
|        | 2452907   | FLUE COLLECTOR ASSY (6 SECT)   |     |
| 3      | HW06701   | STUD 5/16"-18 X 2 3/8"         | 4   |
| 4      | 2252501   | SUPPORT JACKET BRACKET         | 1   |
| 5      | 1330001   | NUT 5/16-18 WISLOCK            | 8   |
| 6      | HW07001   | STUD 5/16"-18 X 1 1/8"         | 3   |
| 7      | 240009323 | DRAIN LONG                     | 1   |
| 8      | 1060003   | PIPE FIT BUSHING 1 1/4" X 3/4" |     |
| 9      | HW06401   | NUT - ACORN 1/2"-13 UNC YELLOW | 2   |

## REPLACEMENT PARTS

### BURNER COMPONENTS

| BECKETT AFG BURNERS AND PARTS |   |
|-------------------------------|---|
| PART #                        | DESCRIPTION   |
| 550002680                     | BURNER OIL, SFH-3 (ALL)   |
| 550002681                     | BURNER OIL, SFH-4 (ALL)   |
| 550002682                     | BURNER OIL, SFH-4 (ALL)   |
| 550002683                     | BURNER OIL, SFH-5 (ALL)   |
| CD-001.01                     | CAD CELL  |
| 14619244                      | NOZZLE (BECKETT) 0.75-60°B<br>SFH-3085                          |
| 14619024                      | NOZZLE (BECKETT) 0.85-60°B<br>SFH-3100 - SFH4100                |
| 1320024                       | NOZZLE (BECKETT) 1.10-60°B<br>SFH-4125                          |
| 14619294                      | NOZZLE (BECKETT) 1.25-60°B<br>SFH-4145                          |
| 240009766                     | NOZZLE (BECKETT) 1.35-70°B<br>SFH-5160                          |
| 1320001                       | NOZZLE (BECKETT) 1.50-70°B<br>SFH-5185                          |
| 14619059                      | NOZZLE (BECKETT) 1.65-70°B<br>SFH-6185                          |
| 14619019                      | NOZZLE (BECKETT) 1.75-70°B<br>SFH-6210                          |
| 240008816                     | CONTROL 7505B1500<br>(FOR BOILERS WITH BECKETT BURNERS<br>ONLY) |
| 29688                         | FUEL PUMP, 1 STAGE, 140 PSI, AFG,<br>2184404U                   |
| 1250002                       | BURNER GASKET   |
| 1050008                       | MOTOR   |
| 1050007                       | TRANSFORMER   |

| BECKETT AFG RERATE KITS |                    |
|-------------------------|--------------------|
| PART #                  | DESCRIPTION        |
| 550002372               | SFH-3085/3100      |
| 550002373               | SFH-4100/4125/4145 |
| 550002374               | SFH-5160/5185      |
| 550002687               | SFH-6185/6210      |

| RIELLO BURNERS AND PARTS |   |
|--------------------------|---|
| PART #                   | DESCRIPTION                                 |
| 550002832                | RIELLO BURNER SFH3/4 (ALL)                  |
| 550002833                | RIELLO BURNER SFH-5 (ALL)                   |
| 550002834                | RIELLO BURNER SFH-6 (ALL)                   |
| 240010186                | NOZZLE (RIELLO) 0.70-80°W SFH-3085          |
| NZ00802                  | NOZZLE (RIELLO) 0.85-80°W SFH-<br>3100/4100 |
| 14619330                 | NOZZLE (RIELLO) 1.00-80°W SFH-4125          |
| 14619333                 | NOZZLE (RIELLO) 1.20-60°W SFH-4145          |
| 14619338                 | NOZZLE (RIELLO) 1.35-60°W SFH-5160          |
| 14619295                 | NOZZLE (RIELLO) 1.50-60°B SFH-5185          |
| 240012615                | NOZZLE (RIELLO) 1.65-45°B SFH-6185          |
| 240010187                | NOZZLE (RIELLO) 1.75-45°B SFH-6210          |
| 30A064701                | BRN PUMP DRIVE KEY RIELLO                   |
| 30A064801                | BRN PRIMARY CTRL-530SE RIELLO               |
| 30A064901                | BRN COIL RIELLO                             |
| 30A065101                | BRN MOTOR RIELLO                            |
| 30A065201                | BRN CAPACITOR 12.5µF RIELLO                 |
| 30A065301                | BRN ELECTRODE PORCELAIN RIELLO              |
| 30A065401                | BRN PUMP RIELLO                             |
| 30A065601                | BRN O-RING PUMP PRESS RIELLO                |
| 30A065701                | BRN PHOTO CELL RIELLO                       |

| CARLIN EZ-1/2 REPLACEMENT BURNERS |             |
|-----------------------------------|-------------|
| BOILER MODEL                      | PART NUMBER |
| 3085                              | 240010414   |
| 3100                              |             |
| 4100                              |             |
| 4125                              |             |
| 4145                              | 240010415   |
| 5160                              |             |
| 5185                              |             |
| 6185                              |             |
| 6210                              |             |



2201 Dwyer Avenue, Utica, NY 13501

Tel. 800 253 7900

[www.ecrinternational.com](http://www.ecrinternational.com)

All specifications subject to change without notice.

©2019 ECR International, Inc.