



CONDENSING GAS FIRED BOILER

Models
MAHF-125
MACF-150

**PARTS, KITS &
OPTIONAL ACCESSORIES**

ORDERING INSTRUCTIONS
ORDER PARTS THROUGH YOUR NEAREST SUPPLIER.
WHEN ORDERING PARTS, OBTAIN MODEL NUMBER AND SERIAL NUMBER FROM DATA
PLATE ON YOUR BOILER.
INCLUDE FOLLOWING INFORMATION WHEN ORDERING.

PART NUMBER _____

PART DESCRIPTION _____

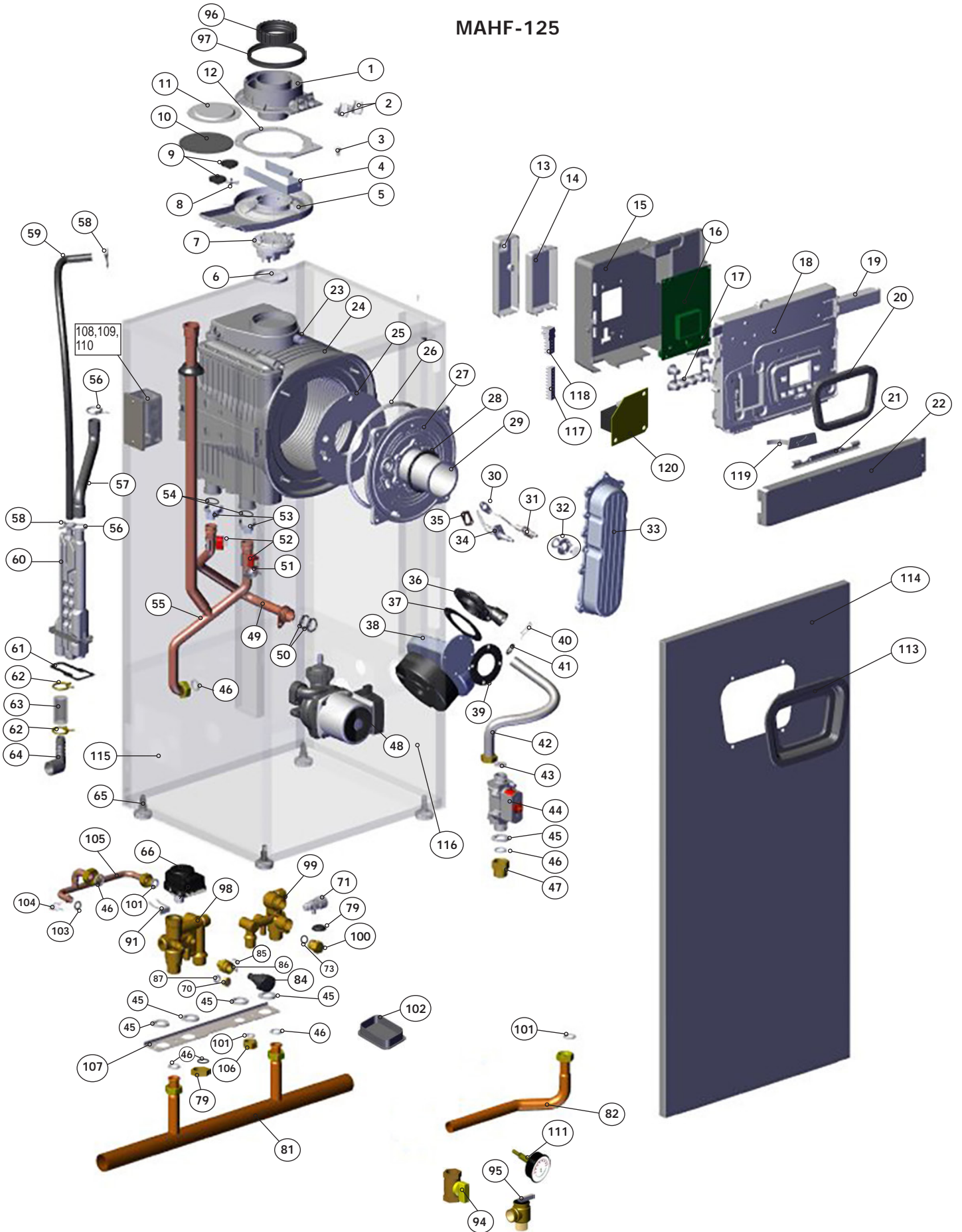
BOILER MODEL NUMBER _____

BOILER SERIAL NUMBER _____

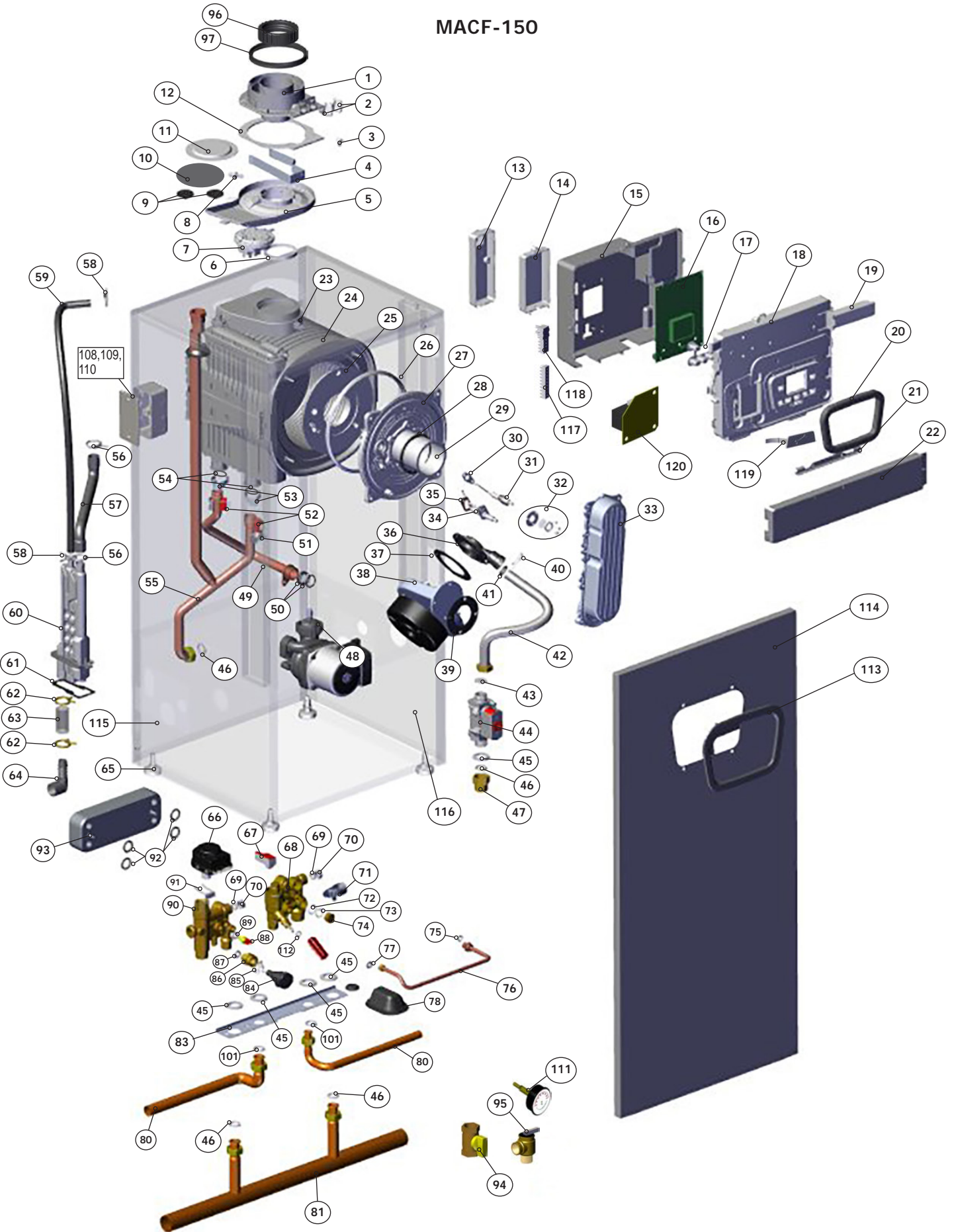


Manufactured by:
ECR International Inc.
2201 Dwyer Avenue, Utica, NY 13501
Tel. 800 253 7900
www.ecrinternational.com
PN240012562 REV. B [07/30/2019]

MAHF-125



MACF-150



PARTS AND ACCESSORIES

ITEM	PN	DESCRIPTION	MAHF 125	MACF 150
1	BD711085102V	FLUE ADAPTOR 60/100	●	●
2	BD710107702V	TEST POINT PLUG	●	●
3	BD000005409571	PRESSURE CONNECTION	●	●
4	BD711085501V	FLUE SUPPORT BRKT	●	●
5	BD710282302V	CONDENSATE SUMP 80/60	●	●
6	BD710108001V	SEAL D.60 - SUMP	●	●
7	BD000005679722	PRESSURE SWITCH HUBA 400	●	●
8	BD711088501V	PRESSURE CONNECTION	●	●
9	BD710117301V	CABLE FIXING GROMMET	●	●
10	BD710784801V	GSKT,CVR PLT,TWIN PIPE	●	●
11	BD710300601V	CVR PLT,TWIN PIPE	●	●
12	BD710107601V	FLUE ADAPTOR GASKET	●	●
13	BD711075601V	TERMINAL BLOCK COVER	●	●
14	BD711075801V	CLIP-IN COVER V0	●	●
15	BD711075102V	CONTROL PANEL REAR	●	●
16	550003746	KIT,RPLMT,CTRL,0-10V,ALL+	●	●
17	BD710126301V	7-BUTTON KEYPAD	●	●
18	BD711074801V	CONTROL BOX FACIA	●	●
19	BD711075501V	CONTROL PANEL SUPPORT ARM	●	●
20	240012611	GSKT,A/I CTRL FACE,.50 THK	●	●
21	BD710014402V	CONTROL BOX HINGE	●	●
22	109010174	UPPER CONTROL SUPPORT	●	●
23	BD711180100	NTC SNSR(HTEX)	●	●
24	BD711447001V	HEAT EXCHANGER BASIC	●	●
25	BD5411020	INSULATING PANEL	●	●
26	BD710111502V	COMB CHAMBER GASKET	●	●
27	BD711571000	COMBUSTION CHAMBER UPPER COVER	●	●
28	BD711408002V	GASKET, BURNER	●	●
29	BD7728712	BURNER 125/150	●	●
30	BD710185201V	FLAME SENSING ELECTRIC GASKET	●	●
31	BD711010802V	FLAME SENSOR,B&P	●	●
32	550003157	SIGHT GLASS REPLACEMENT KIT	●	●
33	BD711187501V	AIR GAS MNFLD	●	●
34	BD711010702V	ELECTRODE IGNITION	●	●
35	BD710185302V	GSKT,IGN,PEN	●	●
36	BD710458104V	MIXER PL30 C1500107 (GAS TRAIN)	●	●
37	BD710042401V	VENTURI,GASKET MIXER TO FAN	●	●
38	BD711073902V	FAN NRG 118 (INDUCER)	●	●
39	BD5410900	VENTURI GASKET	●	●
40	BD710011401V	CLIP - FIXING GAS PIPE	●	●
41	BD710061402V	O-RING 18X3 NBR	●	●
42	BD711007101V	FLEXIBLE GAS PIPE 6 E	●	●
43	BD710458501V	GAS NOZZLE B&P D.5,8	●	●
44	BD766630601V	GAS VLV B&P SGV101	●	●
45	BD710039501V	HYDRAULIC GROUP GASKET	●	●
46	BD710113001V	GASKET G3/4 17X24X2	●	●
47	BD722270601V	ADPTR,G3/4X3/4 NPT,BRS	●	●

ITEM	PN	DESCRIPTION	MAHF 125	MACF 150
48	BD710786502V	PUMP UPR 15-58 2VEL L4 120V	●	●
49	BD711425802V	ASSY PIPE PUMP - EXCHANGER	●	●
50	BD710963001V	O-RING 21,5X3 EP7	●	●
51	BD710626001V	OVERTEMP. THERMOSTAT	●	●
52	BD722143801V	SNSR,WTR,22MM BRKT,12K NTC 3%	●	●
53	BD721623501V	FIXING CLIP - HEX PIPES	●	●
54	BD000005411331	O-RING 20,24X2,62	●	●
55	240012555	ASSY,FLOW PIPE,TEE	●	●
56	BD710151101V	SPRING CLIP BIFM252	●	●
57	BD766859301V	HOSE,HTEX,SIPHON,HO	●	●
58	BD710111001V	SPRING CLIP BIFM182	●	●
59	BD710066001V	HOSE - SUMP/TRAP	●	●
60	BD765674901V	SIPHON,H220,240	●	●
61	BD721696402V	GSKT,SIPHON,240	●	●
62	BD710111201V	WIRE SPRING BIFM	●	●
63	BD710079501V	PIPE CONDENSATE DISCHARGE	●	●
64	240008257	ELB,90°,PVC,3/4"BARBX1/2"NPT FML	●	●
65	14631091	LEG,ADJ,GLIDE,CO-2366	●	●
66	BD000005696391	ELBI MOTOR 120V	●	●
67	BD710189401V	FLOW DETECTOR,RED		●
68	BD767360001V	DHW CH RETURN BLOCK ASSY		●
69	BD769728001V	GASKET,6,1X11.5X2.0	●	●
70	BD000005202001	CUP NUT M14X1	●	●
71	BD710188101V	DRAIN TAP	●	●
72	BD000005405831	O-RING 16X2 EP-37	●	
73	240011438	ORING,15X2,EP		●
74	240011437	PLUG,BRS,		●
75	BD710107801V	O-RING 8,73X1,78	●	●
76	BD711052301V	FILLING PIPE ASSY		●
77	BD710121501V	GASKET G3/8 8X15X		●
78	BD710156201V	SEAL - FILLING TAP		●
79	BD710267101V	CUP NUT G 3/4	●	
80	240012567	PIPE,DHW,FLR		●
81	240012557	MNFLD,HDR,FLR	●	●
82	240012608	PIPE,EX TANK,FLR	●	
83	BD710168304V	HYDRAULIC SUPPORT BRACKET		●
84	BD710109101V	PRESSURE SENSOR	●	●
85	BD710188902V	FIXING CLIP	●	●
86	BD710168401V	ADAPTER - PRESSURE SENSOR	●	●
87	BD769728001V	GASKET,6,1X11.5X2.0	●	●
88	BD710831501V	NTC SENSOR HONEYWELL-S011026		●
89	BD710189001V	GASKET 9,7X15X2		●
90	BD7720211	3-WAY VALVE BLOCK		●
91	BD710188501V	FIXING CLIP - 3WAY VALVE MOTOR	●	●
92	BD722275601V	O-RING 18.3X3.6 R15-		●
93	BD711612501V	DHW 20-PLATE EXCHANGER		●

PARTS AND ACCESSORIES

ITEM	PN	DESCRIPTION	MAHF 125	MACF 150
94	BD000005643331	GAS BALL VALVE G3/4 NPT	●	●
95	VR-001.01	VLV,RLF,ASME,30PSI,3/4 (10-407-05)	●	●
96	BD710107101V	SEAL D.100 - FLUE ADAPTOR	●	●
97	BD710107401V	SEAL D.60 - FLUE ADAPTOR	●	●
98	BD710266901V	3-WAY VALVE BLOCK - SYSTEM	●	
99	BD710735501V	DHW CH RETURN BLOCK ASSY-SYSTEM	●	
100	BD000005212641	PLUG,BRS	●	
101	BD710113601V	GASKET G1/2 AFM	●	●
102	BD721583002V	FILLING CAP	●	
103	BD710108401V	ANELLO OR 11,91X2,62	●	
104	BD710188902V	FIXING SPRING	●	
105	BD710267001V	ASSY BY-PASS PIPE SYSTEM	●	
106	BD000005201351	CUP NUT G 1/2	●	
107	BD710235103V	HYDRAULIC SUPPORT BRACKET	●	
108	212000017	BOX,JCT,2"X4"X1-7/8",RACO 660	●	●
109	BD711634101V	CABLE FIXING NUT	●	●
110	BD711635101V	CABLE FIXING D.4,8	●	●
111	1260006SP	GA,TEMP/PRESS, 2"SHANK,1PC,SNGL	●	●
112	BD710107801V	O-RING 8,73X1,78	●	●
113	240011307	BEZEL,WNDW,	●	●
114	550003698	KIT, RPLMT, PNL, FRNT	●	●
115	550003700	KIT, RPLMT, PNL, LT	●	●
116	550003702	KIT, RPLMT, PNL, RT	●	●
117	BD710117901V	10-POLE TERMINAL BLOCK PA3	●	●
118	BD000005688441	5-POLE TERMINAL BLOCK W/ DOUBLE	●	●
119	BD710020102V	SERVICE CONNECTOR RUBBER	●	●
120	BD5677892	INTERFACE BOARD	●	●
*	BD767486200	INLET FILTER 150		●
*	BD710283700	HTEX REAR INSULATION	●	●

WIRE HARNESSSES

*	BD710127501V	FLAME SENSOR CABLE	●	●
*	BD710992901V	REMOTE CONTROL WIRING HARNESS	●	●
*	240012550	HARN,VLV,FLR MNT		●
*	240012551	HARN,GAS VLV,FLR MNT	●	●
*	240012552	HARN,LV,FLR MNT,	●	
*	BD710993201V	VENTILATOR PWM WIRING HARNESS	●	●
*	240012548	HARN,PCB,BARTELLI,FLR MNT,	●	●
*	240012667	HARN,NTC/EXT SNSR,FLR MNT		●
*	BD7732244	EXTERNAL SENSOR WIRING X20	●	
*	BD710993405V	PCB B&P WIRING HARNESS	●	●
*	BD710993702V	THERMOSTAT WIRING	●	●
*	BD710993801V	EARTH CABLE - ELECTRODE,X2 IGNITOR	●	●
*	240012572	HARN,PWR	●	●
*	BD711250601V	IGNITION ELECTRODE WIRE	●	●
*	BD711065801V	HARN,FLUE NTC SNSR	●	●
*	BD711265102V	INTERFACE BOARD CONNECTOR	●	●

KITS			
PAGE	DESCRIPTION	125	150
6	FRONT JACKET KIT	●	●
6	RIGHT SIDE JACKET KIT	●	●
6	LEFT SIDE JACKET KIT	●	●
6	SIGHT GLASS REPLACEMENT KITS	●	●
6	IGNITION ELECTRODE REPLACEMENT KITS	●	●
6	FLAME SENSOR REPLACEMENT KITS	●	●
7	COMBUSTION CHAMBER GASKET REPLACEMENT KITS	●	●
7	BURNER REPLACEMENT KITS	●	●
8	FAN, AIR MIXER, BLOWER REPLACEMENT KIT	●	●
9	DHW PLATE REPLACEMENT EXCHANGER KITS		●
9	THREE WAY VALVE MOTOR REPLACEMENT KITS	●	●
9	DHW TEMPERATURE SENSOR REPLACEMENT KITS		●
10	PCB/CONTROL REPLACEMENT KIT	●	●
10	SERVICE KEY REPLACEMENT KIT	●	●
10	DHW SENSOR REPLACEMENT KIT FOR INDIRECT STORAGE TANK	●	
11	FLUE GASKET REPLACEMENT KITS	●	●
11	SEALS, CLIPS, ETC, KIT	●	●
11	COMBUSTION CHAMBER CLEANING KIT	●	●

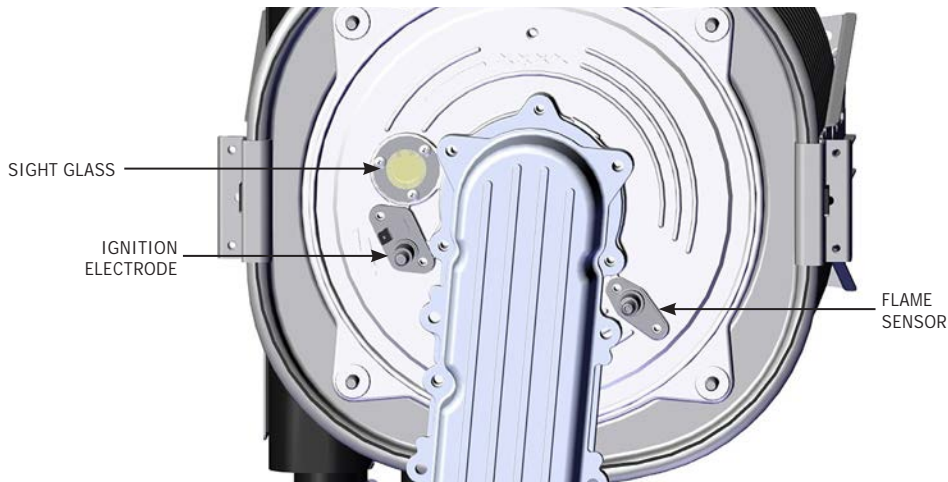
JACKET KITS

550003698 FRONT JACKET REPLACEMENT KIT INCLUDES:				
POS	DESCRIPTION	QTY	125	150
114	KIT,JKT,FRNT	1	●	●

KIT 550003700- LEFT SIDE JACKET REPLACEMENT KIT 125/150 - INCLUDES:				
POS	DESCRIPTION	QTY	125	150
115	JKT,SIDE,LT,	1	●	●

KIT 550003702 - RIGHT SIDE JACKET REPLACEMENT KIT 125/150 - INCLUDES:				
POS	DESCRIPTION	QTY	125	150
116	JKT,SIDE,RT,	1	●	●

SIGHT GLASS, FLAME SENSOR, AND IGNITION ELECTRODE REPLACEMENT KITS

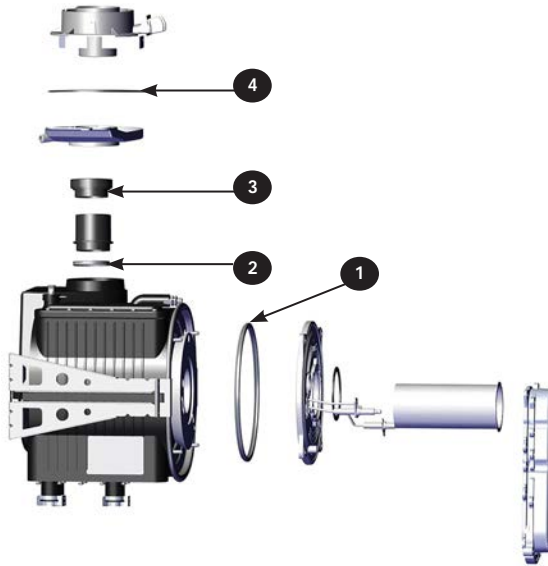


KIT 550003157 - SIGHT GLASS REPLACEMENT KIT				
PN	DESCRIPTION	QTY	125	150
BD7110112202V	SIGHT GLASS GASKET	1	●	●
BD7110112101V	SIGHT GLASS	1	●	●
240011403	INSTRUCTIONS	1	●	●

KIT 550003151 - FLAME SENSOR REPLACEMENT KIT				
PN	DESCRIPTION	QTY	125	150
BD711010802V	FLAME SENSOR,B&P	1	●	●
BD710185201V	FLAME SENSING ELECTRIC GASKET	1	●	●
240012293	WRENCH,HEX,3MM	1	●	●
240011397	INSTRUCTIONS	1	●	●

KIT 550003152 -IGNITION ELECTRODE REPLACEMENT KIT				
PN	DESCRIPTION	QTY	125	150
BD711010702V	ELECTRODE IGNITION	1	●	●
BD710185302V	GSKT,IGN,PEN	1	●	●
240012293	WRENCH,HEX,3MM	1	●	●
240011398	INSTRUCTIONS	1	●	●

COMBUSTION CHAMBER GASKET REPLACEMENT KIT



KIT 550003156 - COMBUSTION CHAMBER GASKET REPLACEMENT KIT 125/150 - KIT INCLUDES:					
POS	PN	DESCRIPTION	QTY	125	150
1	BD710111502V	COMBUSTION CHAMBER GASKET	1	●	●
2	BD710108001V	GASKET WITH DOUBLE LIP (CONDENSATE TRAY)	1	●	●
3	BD000005411030	GASKET (WATER TRAY TO HEAT EXCHANGER)	1	●	●
4	BD710107601V	FLUE ADAPTER GASKET	1	●	●
-	240011402	INSTRUCTIONS	1	●	●

BURNER REPLACEMENT KIT



KIT 550003155 - BURNER REPLACEMENT KIT 125/150 - KIT INCLUDES:					
POS	PN	DESCRIPTION	QTY	125	150
1	BD77282712	BURNER	1	●	●
2	BD711408002V	GASKET, BURNER, ASSY	1	●	●
-	240011401	INSTRUCTIONS	1	●	●

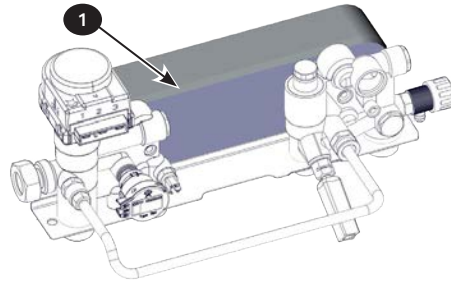
FAN, AIR MIXER, REPLACEMENT KIT



KIT 550003154 - REPLACEMENT, FAN MIXER KIT 125/150 - KIT INCLUDES:

POS	PN	DESCRIPTION	QTY	125	150
1	BD7731657	MIXER PL30 C1500107 (GAS TRAIN)	1	●	●
2	BD711073902V	FAN NRG 118 115W 120V (INDUCER)	1	●	●
3	BD710042401V	VENTURI,GASKET MIXER TO FAN	1	●	●
4	BD710115601V	GASKET, MIXER TO AIR/GAS DUCT	1	●	●
N/A	BD710011401V	CLIP - FIXING GAS PIPE	1	●	●
N/A	BD710061402V	O-RING 18X3 NBR	2	●	●
5	BD711408002V	GASKET, BURNER	1	●	●
-	240011400	INSTRUCTIONS	1	●	●

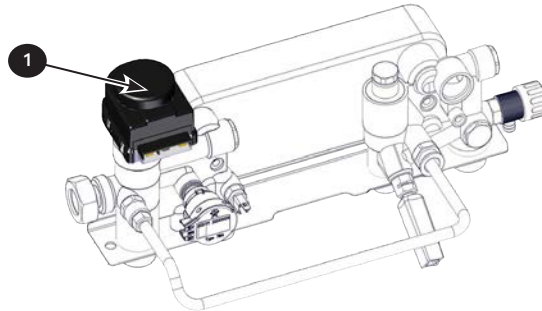
DHW PLATE REPLACEMENT KIT WITH GASKETS



**KIT 550003153 - DHW PLATE REPLACEMENT KIT WITH GASKETS
150 - KIT INCLUDES:**

POS	PN	DESCRIPTION	QTY	150
1	BD711612501V	DHW PLATE EXCHANGER 20 PLATES	1	●
NOT SHOWN	BD722275601V	DHW PLATE EXCHANGER O-RING	4	●
-	240011399	INSTRUCTIONS	1	●

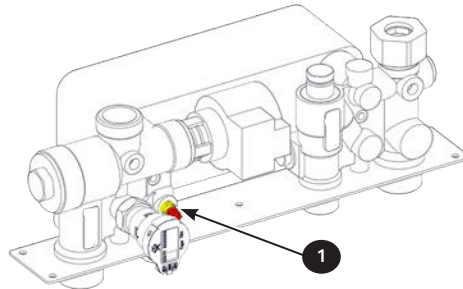
3 WAY VALVE MOTOR REPLACEMENT - KIT



KIT 550003166 - 3 WAY VALVE MOTOR REPLACEMENT KIT 125/150 - KIT INCLUDES:

POS	PN	DESCRIPTION	QTY	125	150
1	BD000005696391	3 VALVE MOTOR 120V	1	●	●
NOT SHOWN	BD710188501V	FIXING CLIP 3 WAY VALVE MOTOR	1	●	●
-	240011406	INSTRUCTIONS	1	●	●

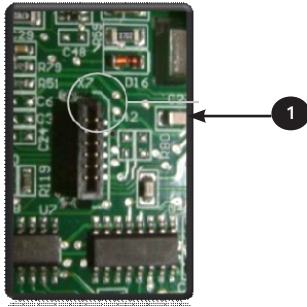
SENSOR REPLACEMENT - KIT



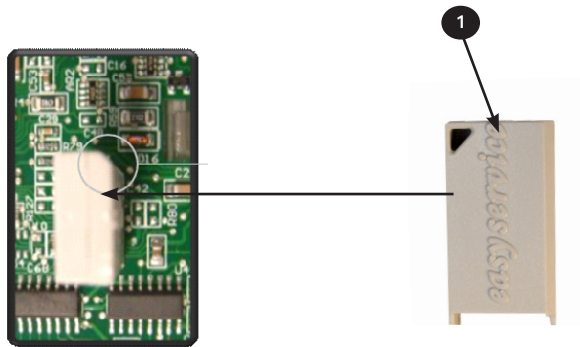
KIT 550003159 - DHW TEMPERATURE SENSOR REPLACEMENT KIT 150 - KIT INCLUDES:

POS	PN	DESCRIPTION	QTY	150
1	BD710831501V	NTC SENSOR HONEYWELL-S011026	1	●
NOT SHOWN	BD710189001V	GASKET 9,7X15X2	1	●
-	240011405	INSTRUCTIONS	1	●

PCB /CONTROL REPLACEMENT KIT



KIT 550003746 - PCB /CONTROL REPLACEMENT KIT W/O KEY - KIT INCLUDES:					
POS	PN	DESCRIPTION	QTY	125	150
1	BD7721032	PCB,B&P,HAGC03-BX04,LESS SVC KEY,0-10V	1	●	●
-	240012706	INST,CTRL RPLMT,MAC/H,DCC/B 125-205,0-10V	1	●	●



KIT 550003191 - SERVICE KEY REPLACEMENT KIT - KIT INCLUDES:					
POS	PN	DESCRIPTION	QTY	125	150
1	BD710707701N	SERVICE KEY	1	●	●
-	240012706	INST,CTRL RPLMT,MAC/H,DCC/B 125-205,0-10V	1	●	●



KIT 550003189 - DHW SENSOR REPLACEMENT KIT FOR INDIRECT STORAGE TANK 125 - KIT INCLUDES:					
POS	PN	DESCRIPTION	QTY	125	
1	KHG714076810	KIT,DHW,SENSOR	1	●	
NOT SHOWN	240008013	CLIP,MTG,HW,32002656	1	●	
NOT SHOWN	240010821	THERMOPASTE,10Z	1	●	
-	240011464	INSTRUCTIONS	1	●	

FLUE GASKET CONNECTION REPLACEMENT - KIT

KIT 550003158 - FLUE GASKET CONNECTION REPLACEMENT KIT 125/150 - KIT INCLUDES:				
PN	DESCRIPTION	QTY	125	150
BD710107601V	GASKET ADAPTER (FLUE)	1	●	●
BD710784801V	SUCTION CAP GASKET	1	●	●
BD710107401V	WASHER DIA 60 OUTLET BEND (FLUE ADAPTER)	1	●	●
BD710107101V	WASHER DIA 100 OUTER ADAPTER SEAL (FLUE ADAPTER)	1	●	●
240011404	INSTRUCTIONS	1	●	●

SEALS, CLIPS, ETC. - KIT

KIT 550003150 - SEALS, CLIPS, ETC 125/150 - KIT INCLUDES:				
PN	DESCRIPTION	QTY	125	150
BD721623501V	FIXING CLIP - HEX PIPES	2	●	●
BD710963001V	O-RING 21,5X3 EP7	2	●	●
BD722275601V	O-RING 18.3X3.6 R15-	4		●
BD710188902V	FIXING CLIP	2	●	●
BD710189001V	GASKET 9,7X15X2	1		●
BD710113601V	GASKET G1/2 AFM	2		●
BD710113001V	GASKET G3/4 17X24X2	2	●	●
BD710188501V	FIXING CLIP - 3WAY VALVE MOTOR	1	●	●
BD710108401V	ANELLO OR 11,91X2,62	3	●	
BD000005411331	O-RING 20,24X2,62	4	●	●
BD710188701V	FIXING SPRING	1		●
BD710107801V	O-RING 8,73X1,78	5	●	●
BD710039501V	HYDRAULIC GROUP GASKET	5	●	●
BD710011401V	CLIP - FIXING GAS PIPE	1	●	●
BD710061402V	O-RING 18X3 NBR	1	●	●
BD710111001V	SPRING CLIP BIFM182	2	●	●
BD710151101V	SPRING CLIP BIFM252	2	●	●

COMBUSTION CHAMBER CLEANING KIT

KIT 550003212 - COMBUSTION CHAMBER CLEANING KIT 125/150 - KIT INCLUDES:				
PN	DESCRIPTION	QTY	125	150
240011636	GLOVE, LATEX, BLK,LRG	4	●	●
240011637	SHIELD, HTEX, CLING	1	●	●
240011639	BAG, POLY 12"X 26"	4	●	●
240011640	BRUSH, 2"X", W HANDLE 1" STIFF BRISTLES	1	●	●
BD722003801V	SEAL,HTEX,DOOR, FRONT	1		
BD000005212781	SEAL,FBRGLS,ROPE	1		
BD710061402V	O-RING 18X3 NBR	1	●	●
240011648	INSTRUCTIONS	1	●	●



2201 DWYER AVENUE, UTICA, NY 13501
TEL. 800 253 7900
WWW.ECRINTERNATIONAL.COM

ALL SPECIFICATIONS SUBJECT TO CHANGE WITHOUT NOTICE.
©2019 ECR INTERNATIONAL, INC.