



PEG-E GAS-FIRED STEAM BOILERS

PARTS AND OPTIONAL ACCESSORIES

Models

PEG075EID
PEG112EID
PEG150EID
PEG187EID
PEG225EID
PEG262EID
PEG299EID

Ordering Instructions

Order Parts through your nearest supplier.

When ordering parts, obtain Model Number and Serial Number from data plate on your boiler.

Include following information when ordering.

Part Number _____

Part Description _____

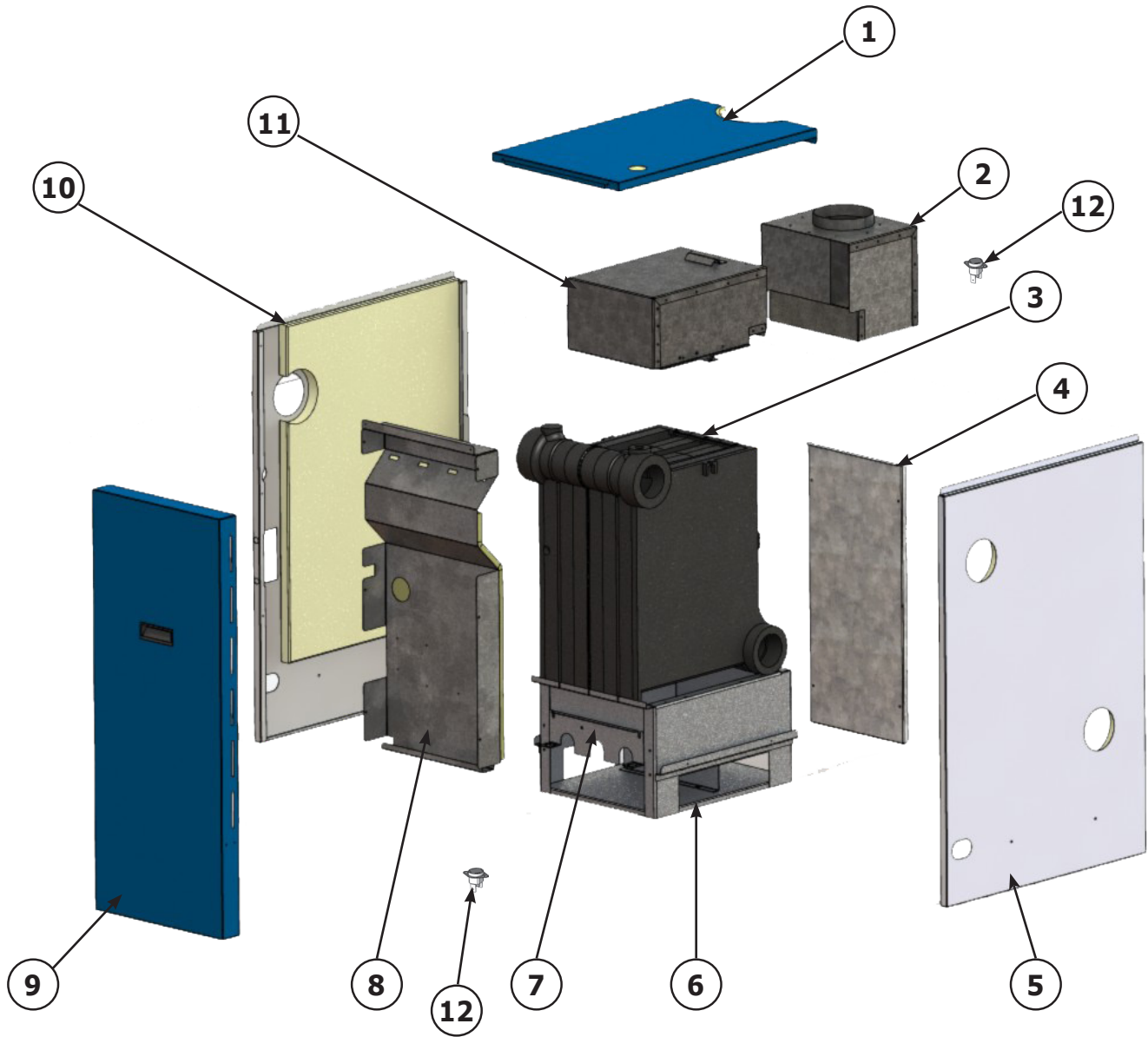
Boiler Model Number _____

Boiler Serial Number _____



Manufactured by:
ECR International Inc.
2201 Dwyer Avenue, Utica, NY 13501
Tel. 800 253 7900
www.ecrinternational.com
PN 240009939 REV. E [01/03/2019]

JACKET SECTION AND BASE PARTS



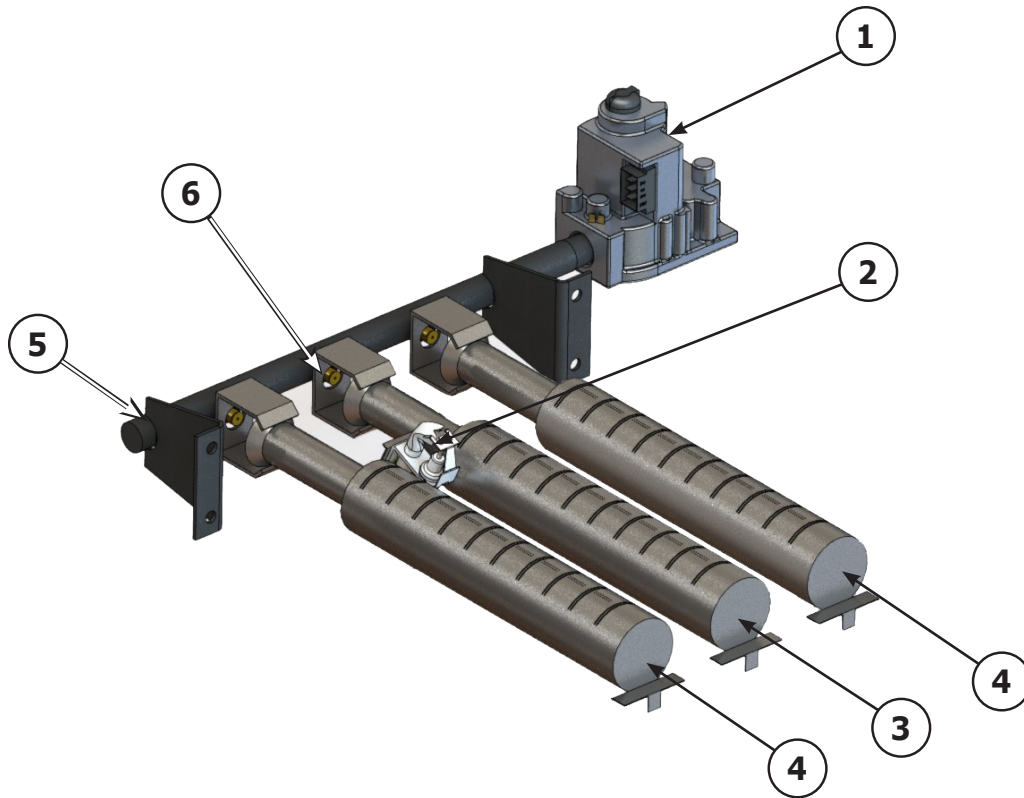
REPAIR PARTS

JACKET SECTION AND BASE PARTS

Jacket, Heat Exchanger and Base					
Item	Description	Part no	Item	Description	Part no
1	Top Panel PEG075	109009011AC	7	Rollout Shield 075	109008905
	Top Panel PEG112	109009012AC		Rollout Shield 112	109008906
	Top Panel PEG150	109009013AC		Rollout Shield 150	109008907
	Top Panel PEG187	109009014AC		Rollout Shield 187	109008908
	Top Panel PEG225	109009015AC		Rollout Shield 225	109008909
	Top Panel PEG262	109009016AC		Rollout Shield 262	109008910
	Top Panel PEG299	109009017AC		Rollout Shield 299	109008911
2	Draft Hood Assy 075	3002050	8	Intermediate Panel ,PEG075	109009018
	Draft Hood Assy 112	3002051		Intermediate Panel ,PEG112	109009019
	Draft Hood Assy 150	3002052		Intermediate Panel ,PEG150	109009020
	Draft Hood Assy 187	3002053		Intermediate Panel ,PEG187	109009021
	Draft Hood Assy 225	3002054		Intermediate Panel ,PEG225	109009022
	Draft Hood Assy 262	3002055		Intermediate Panel ,PEG262	109009023
	Draft Hood Assy 299	3002056		Intermediate Panel ,PEG299	109009024
3	Heat Exchanger Series E 075	912000065	9	Access Door PEG075	109008837AC
	Heat Exchanger Series E 112	912000066		Access Door PEG112	109008838AC
	Heat Exchanger Series E 150	912000067		Access Door PEG150	109008839AC
	Heat Exchanger Series E 187	912000068		Access Door PEG187	109008840AC
	Heat Exchanger Series E 225	912000069		Access Door PEG225	109008841AC
	Heat Exchanger Series E 262	912000070		Access Door PEG262	109008842AC
	Heat Exchanger Series E 299	912000071		Access Door PEG299	109008843AC
4	Rear Panel PEG075	109009025	10	Left Panel	109009010AD
	Rear Panel PEG112	109009026	11	Flue collector Assy 075	3002043
	Rear Panel PEG150	109009027		Flue collector Assy 112	3002044
	Rear Panel PEG187	109009028		Flue collector Assy 150	3002045
	Rear Panel PEG225	109009029		Flue collector Assy 187	3002046
	Rear Panel PEG262	109009030		Flue collector Assy 225	3002047
	Rear Panel PEG299	109009031		Flue collector Assy 262	3002048
				Flue collector Assy 299	3002049
5	Right Panel	109008822AD	12	Blocked Vent Switch	AQ02101
6	Base, Assy, w/insulation 075	43300663	13	Rollout Switch	AQ02101
	Base, Assy, w/insulation 112	43300664			
	Base, Assy, w/insulation 150	43300665			
	Base, Assy, w/insulation 187	43300666			
	Base, Assy, w/insulation 225	43300667			
	Base, Assy, w/insulation 262	43300668			
	Base, Assy, w/insulation 299	43300669			

REPAIR PARTS

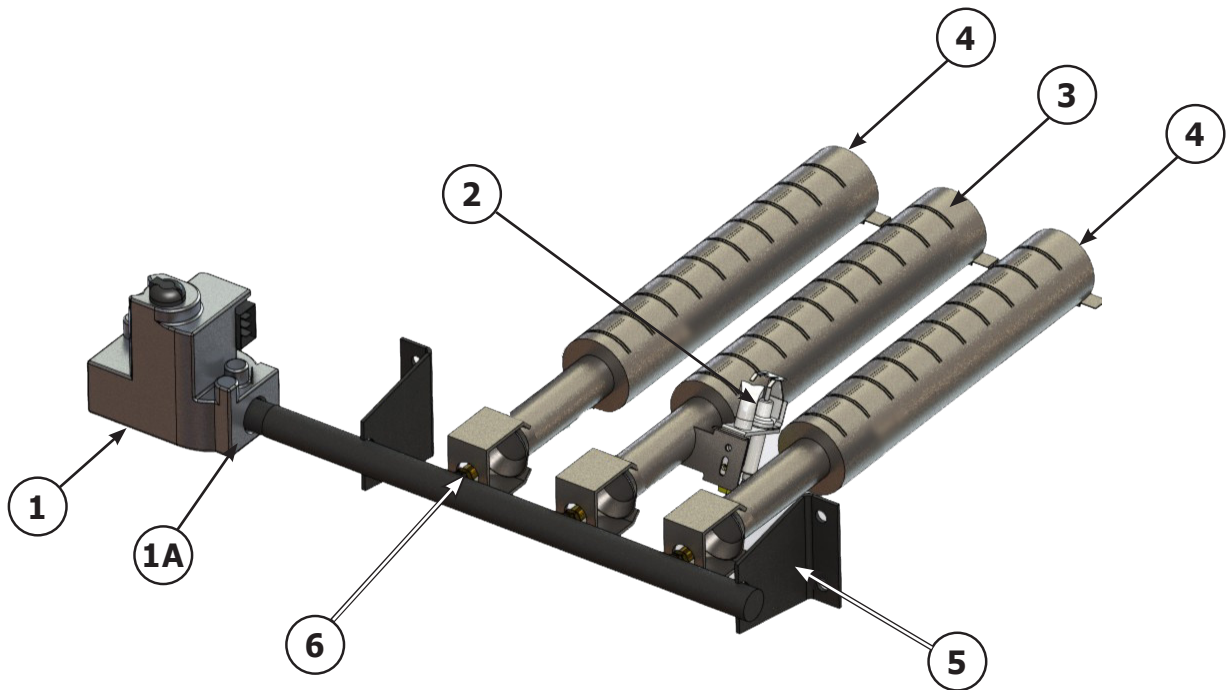
NATURAL GAS BURNERS AND MANIFOLD PARTS



Natural Gas Valve, Manifold & Burners		
Item	Description	Part no
1	1/2 x 1/2 Valve, Natural Gas, Spark, 075 thru 150	VG01101
	3/4 x 3/4 Valve, Natural Gas, Spark 187 thru 299	VG01103
2	Natural Gas Pilot	240011102
3	Burner, with Pilot bracket	14615531
4	Burner, Titan, SST	14615532
5	1/2" Manifold, 075	14616033
	1/2" Manifold, 112	14616034
	1/2" Manifold, 150	14616035
	3/4" Manifold, 187	14616013
	3/4" Manifold, 225	14616014
	3/4" Manifold, 262	14616015
	3/4" Manifold, 299	14616016
6	Orifice, 1/8", #34 Drill (075-150)	14615031
	Orifice, 1/4", #34 Drill (187-299)	14615035
Not Shown	Pilot Kit - Includes Tubing & Fitting	550002793

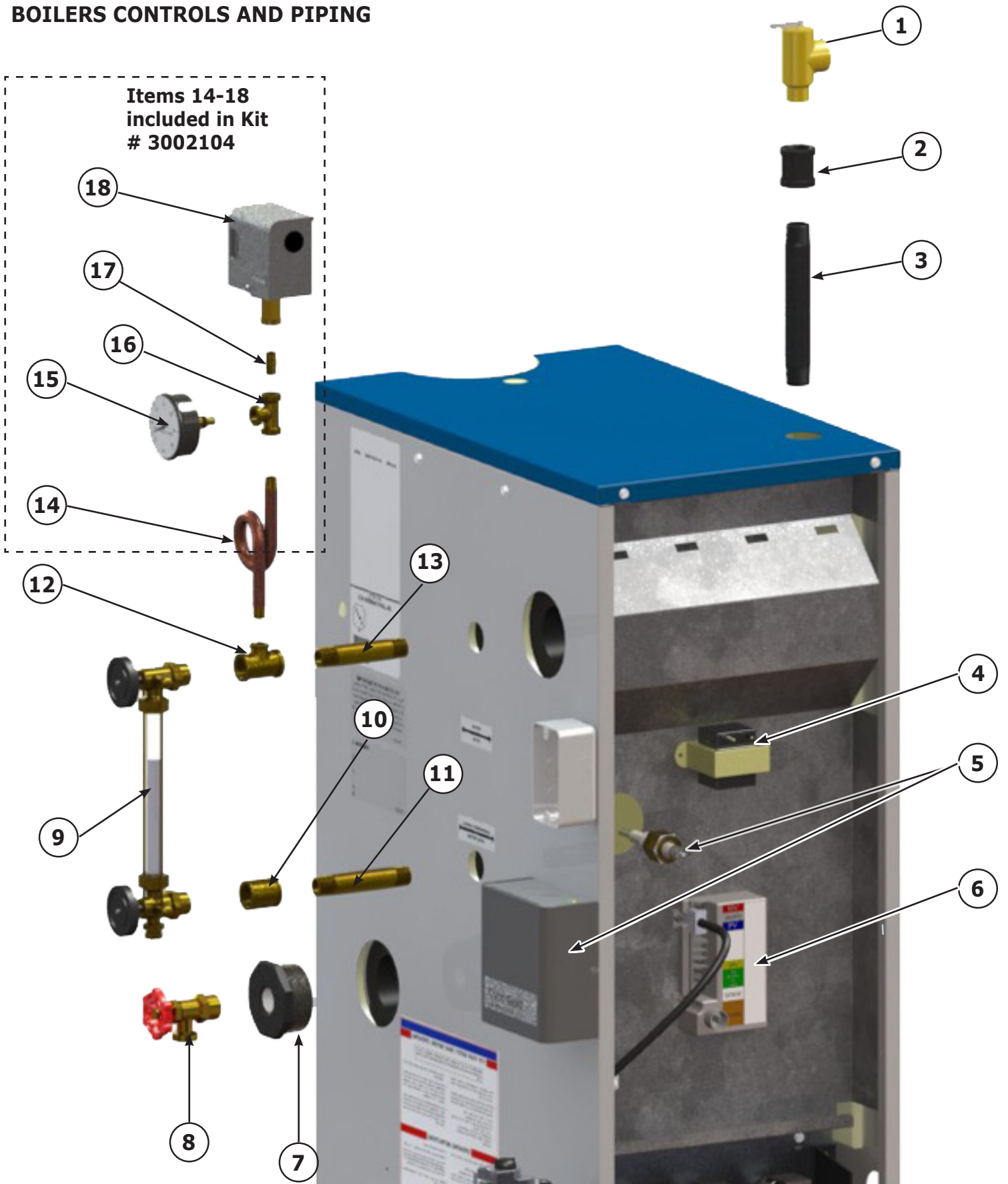
REPAIR PARTS

PROPANE GAS BURNERS AND MANIFOLD PARTS



Propane Gas Valve, Manifold & Burners		
Item	Description	Part no
1	1/2" Gas Valve 075 thru 150	240007039
	3/4 " Gas Valve for 187 thru 225	240007040
	1/2" Gas Valve 262, 299	240009866
1A	Flange, 3/4" NPT for 262, 299	VG01601
2	Propane Gas Pilot	550003105
3	Burner, with Pilot bracket	14615531
4	Burner, Titan, SST	14615532
5	1/2" Manifold, 075	14616033
	1/2" Manifold, 112	14616034
	1/2" Manifold, 150	14616035
	3/4" Manifold, 187	14616013
	3/4" Manifold, 225	14616014
	3/4" Manifold, 262	14616015
	3/4" Manifold, 299	14616016
6	Orifice 1/8" NPT, #51 drill, (075 -150)	14615064
	Orifice 1/4" NPT, #51 drill, (187-299)	14615036
Not Shown	Pilot Kit - Includes Tubing & Fitting	550002794

BOILERS CONTROLS AND PIPING



REPAIR PARTS

Boiler Controls & Piping		
Item	Description	Part no
1	3/4" ASME Relief Valve, 15PSI	1570001
2	3/4" Coupling, Black Iron	1150001
3	3/4 Nipple x 6", Sch 80, Black Iron	14607002
4	Transformer, AT150D 1001,50VA	240008782
5	Hydrolevel Cycle Guard CG400-2090 LWCO	240009896
6	Spark Ignition Control	14662070
7	2"x 3/4 Bushing	240009723
8	3/4" Drain Valve	240009323
9	8" Water Gauge Glass	GA-004.00
10	1/2 Coupling, brass	14693052
11	1/2" x 4 1/4" Brass Nipple	240009891
12	1/2 x 1/2 x 1/4 Tee, brass	14693051
13	1/2" x 4" Brass Nipple	PF-033.02
Items 14-18 included in Kit # 3002104		
14	Syphon loop, 1/4" brass	14643005
15	Pressure Gauge	14623006
16	1/4" Tee, brass	14693057
17	1/4" Close Nipple, Brass	240009692
18	Honeywell Pressuretrol PA404A1074 0.5 to 9 psi	14662015
*	2" NPT Plug	240009724
*	Wire Harness	240009875
*	Gas Valve Harness	37413602
* Not Shown		

REPAIR PARTS

Automatic Damper		
Boiler Size	Part no	Damper Diameter
075	240006937	5"
112	240006937	5"
150	240006938	6"
187	240006939	7"
225	240006939	7"
262	240006939	7"
299	240006939	7"

Conversion Kit Numbers Sea Level to 2000 ft		
Boiler Size	Part no	
	Natural Gas to LP	LP to Natural Gas
075	550002702	550002704
112		
150		
187	550002703	550002705
225		
262		
299		



2201 Dwyer Avenue, Utica, NY 13501

Tel. 800 253 7900

www.ecrinternational.com

All specifications subject to change without notice.

©2018 ECR International, Inc.