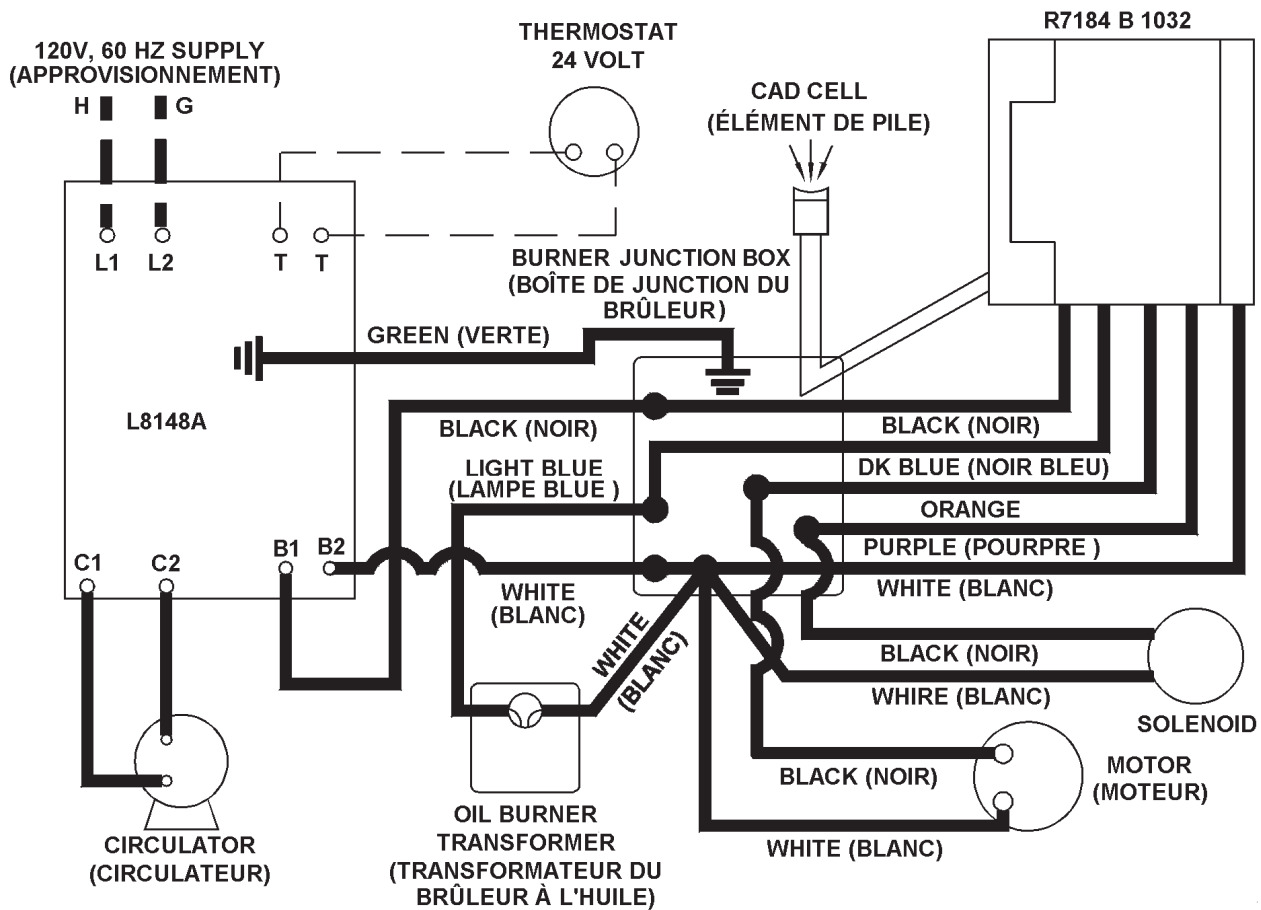


Water, Oil Boiler wiring Addendum

Wiring Diagrams and Component Coding

Standard wiring for an oil boiler utilizing an UT901C, UT902C, UT904C, UT906C, UT1401C, or UT1801 burner with R7184 B 1032 Primary control without a tankless heater



COMPONENT CODING

NOT ALL COMPONENTS LISTED ARE USED IN ALL CONTROL SYSTEMS

TH-1	THERMOSTAT (MILLIVOLT)
TH-2	THERMOSTAT (24 VOLT)
TH-3	THERMOSTAT (LINE VOLTAGE)
TR-1	TRANSFORMER (120V/24V 40VA)
TR-2	TRANSFORMER (120V/24V 50VA)
MGV	MILLIVOLT GAS VALVE
LGV	24 VOLT GAS VALVE
LGV-1	24 VOLT GAS VALVE
PS	PRESSURE SWITCH
MR-PS	MANUAL RESET PRESSURE SW.
SD	STACK DAMPER
—○—	CONTROL TERMINAL
1 K	RELAY COIL
1 K1	RELAY CONTACTS
1 K2	RELAY CONTACTS
LS	LIMIT SWITCH
MS	MANUAL SWITCH
CIR	CIRCULATOR
ECO	ENERGY CUT-OFF
LWCO	LOW WATER CUT-OFF

EWF	ELECTRIC WATER FEEDER
PG	POWER GENERATOR
PSC	PILOT SAFETY COIL
—●—	WIRE CONNECTION

WIRING

—	LINE VOLTAGE BY FACTORY
---	LOW VOLTAGE BY FACTORY
- - -	LINE VOLTAGE BY INSTALLER
- - -	LOW VOLTAGE BY INSTALLER

NOTES:

- 1) SWITCHES ARE SHOWN IN POSITION TAKEN DURING THE HEATING CYCLE.
- 2) IF ANY OF THE ORIGINAL WIRING SUPPLIED WITH THE BOILER IS REPLACED, IT MUST BE REPLACED WITH LIKE WIRE, SIZE, AND TYPE OF INSULATION OR EQUIVALENT

Standard wiring for an oil boiler utilizing an UT901C, UT902C, UT904C, UT906C, UT1401C, or UT1801 burner with R7184 B 1032 Primary control and a tankless heater

Note:

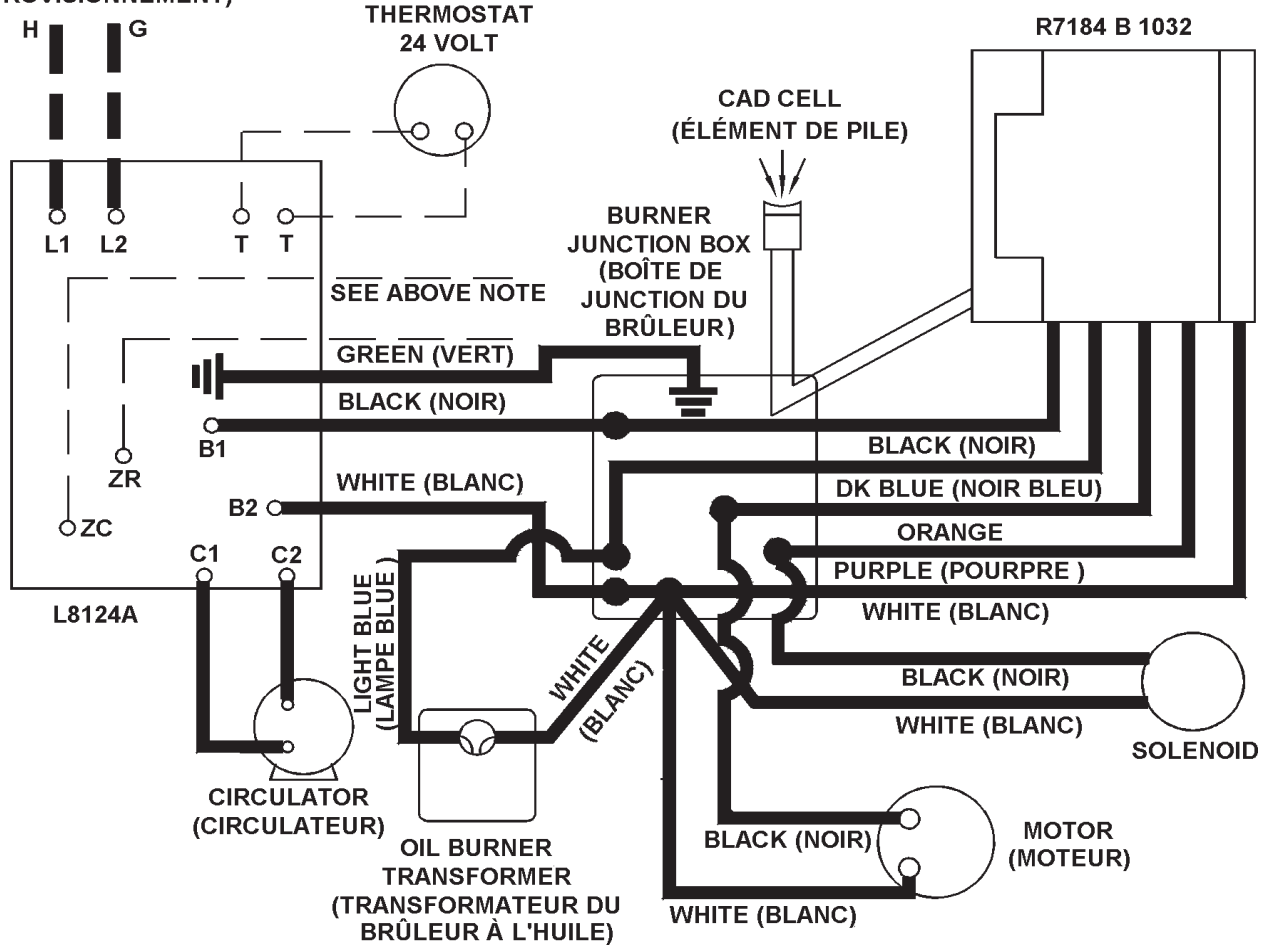
HONEYWELL CONTROL

ZC is to be connected to terminal 1 when using a R845.
 ZC est connecté a borne 1 quand utilise un R845.
 ZR is to be connected to terminal 4 when using a R845.
 ZR est connecté a borne 4 quand utilise un R845.

ARGOCONTROL

ZC is to be connected to terminal ZC when using a ARM.
 ZC est connecté a borne ZC quand utilise un ARM.
 ZR is to be connected to terminal ZR when using a ARM.
 ZR est connecté a borne ZR quand utilise un ARM.

120V, 60 HZ SUPPLY
 (APPROVISIONNEMENT)



COMPONENT CODING

NOT ALL COMPONENTS LISTED ARE USED IN ALL CONTROL SYSTEMS

- TH-1 THERMOSTAT (MILLIVOLT)
- TH-2 THERMOSTAT (24 VOLT)
- TH-3 THERMOSTAT (LINE VOLTAGE)
- TR-1 TRANSFORMER (120V/24V 40VA)
- TR-2 TRANSFORMER (120V/24V 50VA)
- MGV MILLIVOLT GAS VALVE
- LGV 24 VOLT GAS VALVE
- LGV-1 24 VOLT GAS VALVE
- PS PRESSURE SWITCH
- MR-PS MANUAL RESET PRESSURE SW.
- SD STACK DAMPER
- CONTROL TERMINAL
- 1 K RELAY COIL
- 1 K1 RELAY CONTACTS
- 1 K2 RELAY CONTACTS
- LS LIMIT SWITCH
- MS MANUAL SWITCH
- CIR CIRCULATOR
- ECO ENERGY CUT-OFF

- LWCO LOW WATER CUT-OFF
- EWF ELECTRIC WATER FEEDER
- PG POWER GENERATOR
- PSC PILOT SAFETY COIL
- WIRE CONNECTION

WIRING

- LINE VOLTAGE BY FACTORY
- LOW VOLTAGE BY FACTORY
- - - - LINE VOLTAGE BY INSTALLER
- - - - LOW VOLTAGE BY INSTALLER

NOTES:

- 1) SWITCHES ARE SHOWN IN POSITION TAKEN DURING THE HEATING CYCLE.
- 2) IF ANY OF THE ORIGINAL WIRING SUPPLIED WITH THE BOILER IS REPLACED, IT MUST BE REPLACED WITH LIKE WIRE, SIZE, AND TYPE OF INSULATION OR EQUIVALENT