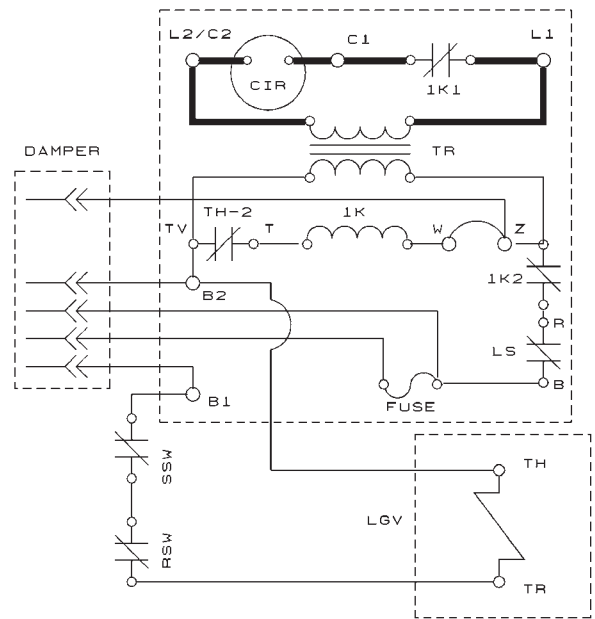
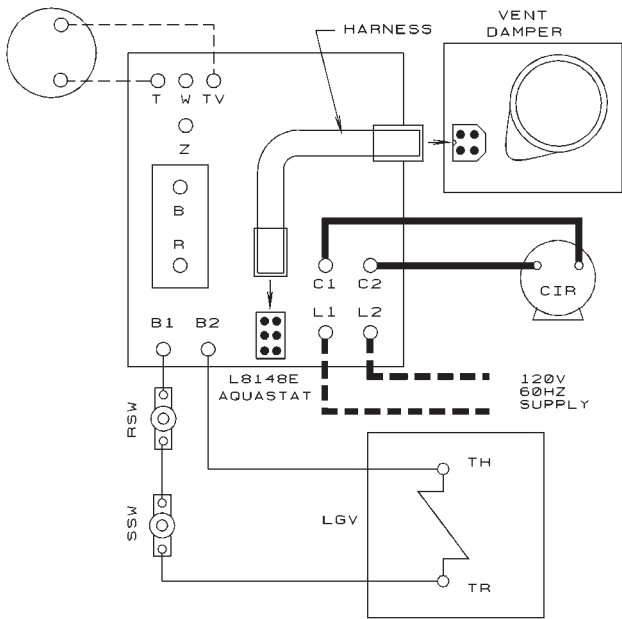


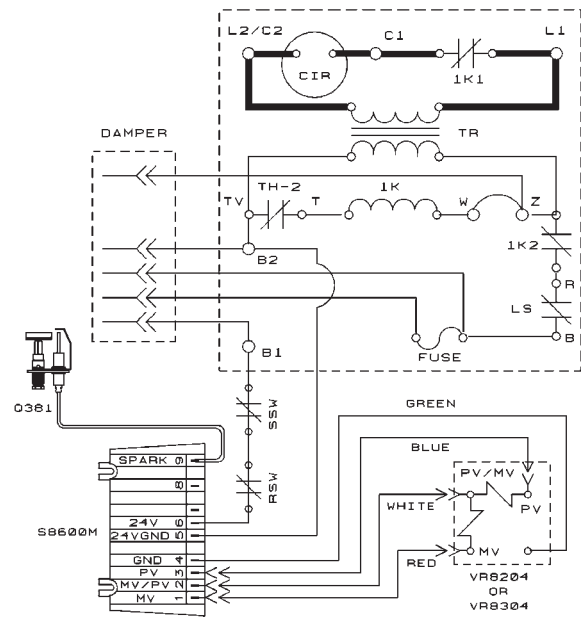
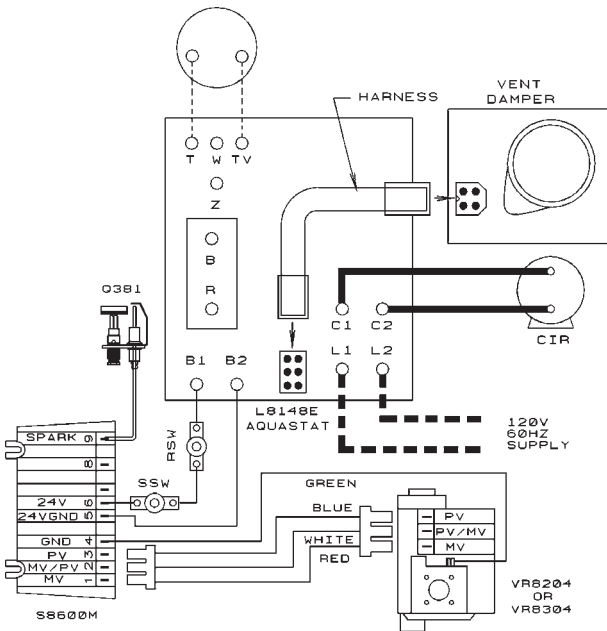
WIRING DIAGRAMS & COMPONENT CODING FOR CAST IRON NATURAL DRAFT BOILERS

(Refer to Installation Manual for additional wiring information.)

24 VOLT GAS CONTROL WIRING



HOT WATER CONTROL AND INTERMITTENT IGNITION WIRING



COMPONENT CODING

TH-1	THERMOSTAT (MILLIVOLT)	1 K	RELAY COIL
TH-2	THERMOSTAT (24 VOLT)	1 K1	RELAY CONTACTS
TH-3	THERMOSTAT (LINE VOLTAGE)	1 K2	RELAY CONTACTS
TR-1	TRANSFORMER (120V/24V 40VA)	LS	LIMIT SWITCH
TR-2	TRANSFORMER (120V/24V 50VA)	MS	MANUAL SWITCH
MGV	MILLIVOLT GAS VALVE	CIR	CIRCULATOR
LGV	24 VOLT GAS VALVE	ECO	ENERGY CUT-OFF
LGV-1	24 VOLT GAS VALVE	LWCO	LOW WATER CUT-OFF
PS	PRESSURE SWITCH	EFW	ELECTRIC WATER FEEDER
MR-PS	MANUAL RESET PRESSURE SW.	PG	POWER GENERATOR
SD	STACK DAMPER	PSC	PILOT SAFETY COIL
○	CONTROL TERMINAL	●	WIRE CONNECTION

NOT ALL COMPONENTS LISTED ARE USED IN ALL CONTROL SYSTEMS.

WIRING

LINE VOLTAGE BY FACTORY	—————
LOW VOLTAGE BY FACTORY	—————
LINE VOLTAGE BY INSTALLER	- - - - -
LOW VOLTAGE BY INSTALLER	- - - - -

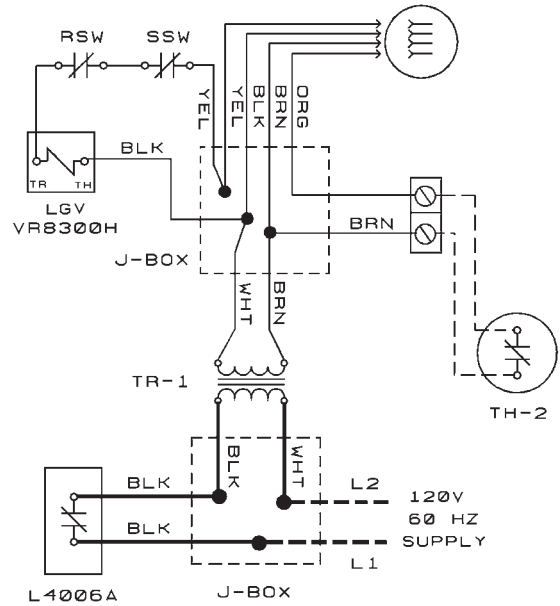
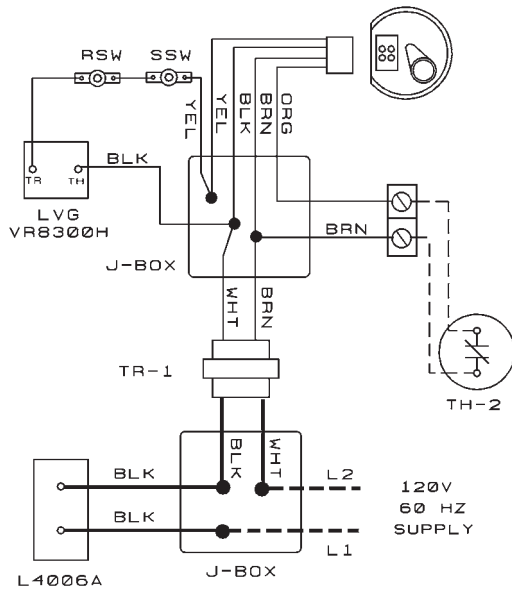
NOTES:

- (1) SWITCHES ARE SHOWN IN POSITION TAKEN DURING THE HEATING CYCLE.
- (2) IF ANY OF THE ORIGINAL WIRING SUPPLIED WITH THE BOILER IS REPLACED, IT MUST BE REPLACED WITH LIKE WIRE, SIZE, AND TYPE OF INSULATION OR EQUIVALENT.

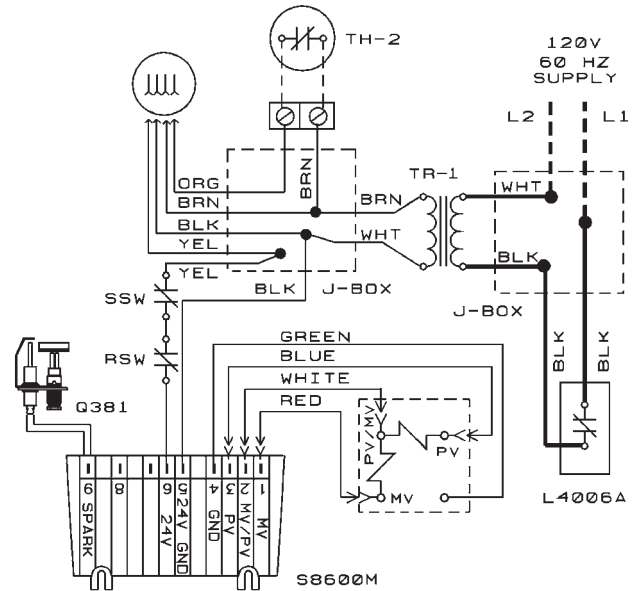
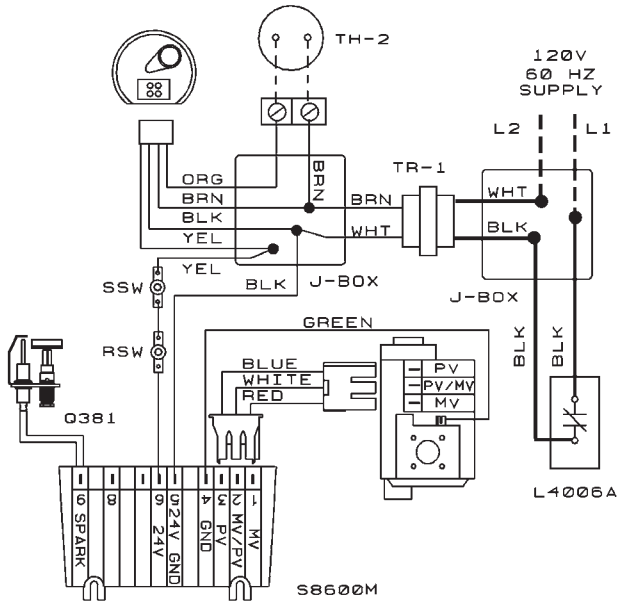
⚠ CAUTION ⚠

Label all wires prior to disconnection when servicing controls. Wiring errors can cause improper and dangerous operation. Verify proper operation after service.

24 VOLT GAS CONTROL WIRING WITH L4006A LIMIT CONTROL



HOT WATER CONTROL AND INTERMITTENT IGNITION WIRING WITH LIMIT L4006A CONTROL



COMPONENT CODING

TH-1	THERMOSTAT (MILLIVOLT)	1 K	RELAY COIL
TH-2	THERMOSTAT (24 VOLT)	1 K1	RELAY CONTACTS
TH-3	THERMOSTAT (LINE VOLTAGE)	1 K2	RELAY CONTACTS
TR-1	TRANSFORMER (120V/24V 40VA)	LS	LIMIT SWITCH
TR-2	TRANSFORMER (120V/24V 50VA)	MS	MANUAL SWITCH
MGV	MILLIVOLT GAS VALVE	CIR	CIRCULATOR
LGV	24 VOLT GAS VALVE	ECO	ENERGY CUT-OFF
LGV-1	24 VOLT GAS VALVE	LWCO	LOW WATER CUT-OFF
PS	PRESSURE SWITCH	EFW	ELECTRIC WATER FEEDER
MR-PS	MANUAL RESET PRESSURE SW.	PG	POWER GENERATOR
SD	STACK DAMPER	PSC	PILOT SAFETY COIL
○	CONTROL TERMINAL	●	WIRE CONNECTION

NOT ALL COMPONENTS LISTED ARE USED IN ALL CONTROL SYSTEMS.

WIRING

LINE VOLTAGE BY FACTORY	—————
LOW VOLTAGE BY FACTORY	—————
LINE VOLTAGE BY INSTALLER	—————
LOW VOLTAGE BY INSTALLER	—————

NOTES:

- (1) SWITCHES ARE SHOWN IN POSITION TAKEN DURING THE HEATING CYCLE.
- (2) IF ANY OF THE ORIGINAL WIRING SUPPLIED WITH THE BOILER IS REPLACED, IT MUST BE REPLACED WITH LIKE WIRE, SIZE, AND TYPE OF INSULATION OR EQUIVALENT.