



TRIFIRE Series 3

High Efficiency
Oil Fired Hot Water Boiler

REPAIR PARTS & OPTIONAL KITS

Models
TRB4075
TRB4090
TRB5100
TRB6130
TRB7165

Ordering Instructions

Order Parts through your nearest supplier.

When ordering parts, obtain Model Number and Serial Number from data plate on your boiler.

Include following information when ordering.

Part Number _____

Part Description _____

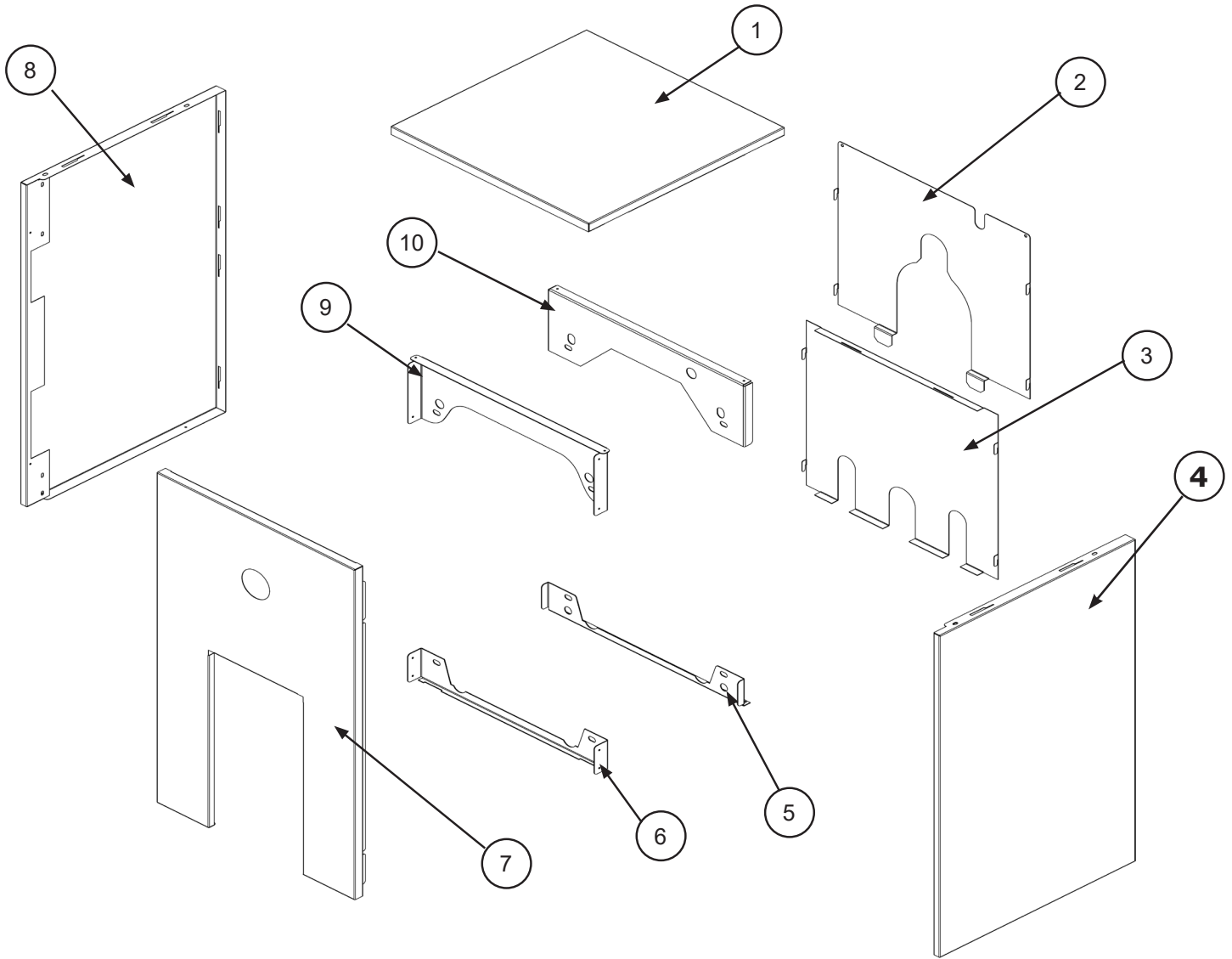
Boiler Model Number _____

Boiler Serial Number _____



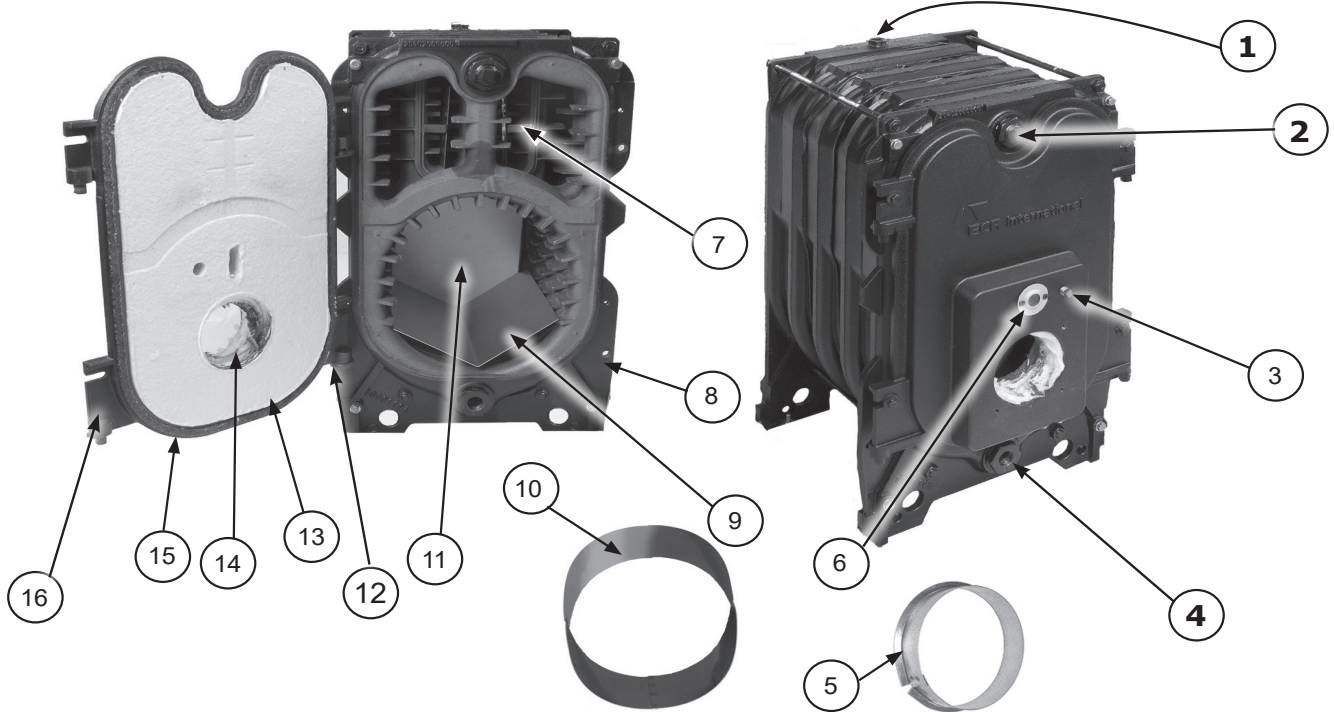
Manufactured by:
ECR International Inc.
2201 Dwyer Avenue, Utica, NY 13501
Tel. 800 325 5479
www.ecrinternational.com
PN 240013283 REV. A [12/31/2020]

JACKET



KEY	DESCRIPTION	4 SECTION	5 SECTION	6 SECTION	7 SECTION
Complete Jacket Assembly		550002392	550002393	550002394	550002395
1	Top Panel	109008594AC	109008595AC	109008596AC	109008597AC
2	Rear Panel, Upper	109008607			
3	Rear Panel, Lower	109008624			
4	Right Side Panel	109008660AD	109008661AD	109008662AD	109008663AD
5	Support Bracket, Lower Rear	109008628			
6	Support Bracket, Lower Front	109008625			
7	Front Panel	109008606AC			
8	Left Side Panel	109008664AD	109008665AD	109008666AD	109008667AD
9	Support Bracket, Upper Front	109008608			
10	Support Bracket, Upper Rear	109008626			

HEAT EXCHANGER



Item	Description	4 Section	5 Section	6 Section	7 Section
8a	Chimney Vent Heat Exchanger Block (Includes Items 1,2,4,5,6,11,12,13,14,15,16)	550003106	550003107	550003108	550003109
8b	Direct Vent Heat Exchanger Block (Includes Items 1,2,4,6,11,12,13,14,15,16)	550003110	550003111	550003112	N/A
1	Control Well in Block	240007709			
2	1¼" x ¼" Bushing (for Temperature Pressure Gauge)	240009346			
4	1¼" x ¾" Bushing (for Drain Valve)	1060003			
5	5" Flue Collar (Used on 4/5/6 Section Chimney Vent Blocks Only)	109007382	109007382	109007382	N/A
6	Sight Glass Replacement Kit	550001932			
11	Target Wall Insulation*	240007302			
12	Door Hinge Kit (2 hinges included)	550001933			
13	Door insulation (hard)* (Front Door)	240007300			
14	Door Insulation (soft)* (Inner Burner Door)	240007301			
15	Door Rope Gasket*	240007390			
16	Burner door with insulation & rope gasket	240007305			

Items below Ordered Separately

3	¼" NPT Plug	240005463			
7a	Flue Baffle (Chimney Vent)	(6) Right 109010401	(2) 109007386	(2) 109007387	N/A
		(6) Left 109010402			
7b	Flue Baffle (Direct Vent)	(2) 109007385	(2) 109007386	(2) 109007387	N/A
9	V-Shaped Liner	N/A	N/A	109007316	109007315
10	Oval Liner	109007317	N/A	N/A	N/A
‡	Heat Exchanger Insulation Center*	420001080	420001081	420001082	420001083
‡	Heat Exchanger Insulation Rear*	420001079			

‡ Not shown

* **WARNING:** This product contains fiberglass and/or ceramic fibers. Possible cancer hazard. To avoid this possible hazard, avoid breathing fiberglass wool & ceramic fiber dust. May cause irritation to skin, eyes & respiratory tract.

STANDARD CONTROLS & ACCESSORIES



Key	Description	Part Number
1	Limit Control Assembly 3002009 Includes 1a thru 1d	1a Limit Control 240009347
		1b Limit Sensor Wire 48" 240007708
		1c Wire Harness, Control 240009174
		*1d Wire Harness, Circulator 37519501
2	24" Flexible Oil Line	240007147
3	Burner Attachment Bolts - 5/16-18 X 3/4" LG (Qty 4)	240007237
4	3/4" Street Elbow	14693040
5	Limit Control Mounting Plug	240007734
6	3/4" Drain Valve	240009323
7	1 1/4" x 10" Adapter	14607012
8	1 1/4" x 6" Adapter	14607017
9	Barometric Draft Control, 5" (4 thru 6 section)	240007166
	Barometric Draft Control, 6" (7 Section only)	14620007
10	Temperature / Pressure Gauge	240009345
*	Control Well Grommet for Sensor Wire	240007713
*	1 1/4" x 1 1/4" x 3/4" Tee	PF05901
*	1 1/4" x 3/4" x 1 1/4" Tee	1510001
*	3/4" Safety Relief Valve (30 PSI)	VR-001.01

* = not shown

OIL BURNERS

Replacement Burners			
Description	4075	4090	5100
Oil Burner - Beckett Chimney Vent w/o Cover Model AFG	240007232	240013303	240007233
Oil Burner - Beckett Chimney Vent with Cover Model AFG	240007144	240013302	240007145
Oil Burner - Beckett Direct Vent Model NX	550004238	NA	240007532
Oil Burner - Riello Chimney Vent Model 40F	550003548	550004237	550003551
Oil Burner - Riello Direct Vent Model 40BF	550004239	NA	550003563
Oil Burner - Carlin Chimney Vent Model EZ-LF	240013299	240013299	240013304

REPLACEMENT BURNERS - CONTINUED		
Description	6130	7165
Oil Burner - Beckett Chimney Vent w/o Cover Model AFG	240007234	240007235
Oil Burner - Beckett Chimney Vent with Cover Model AFG	240007146	240007183
Oil Burner - Beckett Direct Vent Model NX	240007533	NA
Oil Burner - Riello Chimney Vent Model 40F	550003554	550003557
Oil Burner - Riello Direct Vent Model 40BF	550003566	NA
Oil Burner - Carlin Chimney Vent	NA	NA

OIL BURNERS

BECKETT BURNER REPLACEMENT PARTS - AFG & NX	
CAD Cell (AFG & NX)	CD-001.01
Power Cord (AFG & NX)	240007129
Oil Pump Solenoid	RP04601
Pump, Oil Clean Cut	29688
Burner Motor 21805U	1050008
Beckett Burner Cover Kit	240007393
<i>See Burner Manual for illustrations. When ordering, use the above part numbers.</i>	
BECKETT BURNER REPLACEMENT PARTS - AFG ONLY	
Combustion Air Tube With Custom Flange, AFG70MQASN w/L2 Head	240007638
Combustion Air Tube With Custom Flange, AFG70MKAQN w/V1 Head	240007639
Igniter & Base Plate (Replacement Burner)	1050007
Drawer Assembly, (incl. 3-3/8U Static Plate & L2 head Igniter)	240007640
Drawer Assembly, (incl. 2-3/4M Static plate, V1 head Igniter)	240007641
Burner Control, 7505P1515 Beckett Genisys (Pre 15s Post 15s)	240008818
Burner Gasket with keyhole	240007392
L2 Head	240007645
V1 Head	240006446
3-3/8U Static Plate	BN08102
2-3/4M Static Plate	240007646
BECKETT BURNER REPLACEMENT PARTS - NX ONLY	
Combustion air tube with custom flange, NX70LC	240007772
Combustion air tube with custom flange, NX70LD	240007773
Igniter & Base Plate	240007774
Drawer Assembly (incl. Static Plate, Press Sensor Tube, Igniter, 6 Slot NX Head)	240007775
Drawer Assembly (incl. Static Plate, Press Sensor Tube, Igniter, 9 Slot NX Head)	240007776
Burner Control 7505P152M Beckett Genisys (Pre 15s Post 2m)	240007777
Burner Gasket with Keyhole	240007778
Head/Leg Assembly, 6-slot NX1	240007779
Head/Leg Assembly, 9-slot NX2	240007780
Air Inlet Adapter, Modified	240007781
Pressure Switch 2198501 (0.65" wc)	240007782
Pressure Switch 21985 (0.85" wc)	240007783
Head Adjustment Mechanism	240007784

REPLACEMENT PARTS

CIRCULATORS	
Circulator - Grundfos UP15	CI-006.01
Circulator - Taco 007e	240011850

KITS

Description	Part Number
Manual Reset Temperature Limit Kit	550001929
Manual Reset High Limit Control	1010003
Manual Reset Wire Harness	240007127
Immersion Well	14662804
5" Vent Safety Kit (Required in Canada, USA optional)	550003423
5" Flue Connector	30655
Wire Harness	240011785
Assembly, WMO Control Field	30660
6" Vent Safety Kit (Required in Canada, USA optional)	550003422
6" Flue Connector	30656
Wire Harness	240011785
Assembly, WMO Control Field	30660
FOR DIRECT VENT UNITS ONLY	
Kit, Vent Flex, 4" dia x 10' with Terminal adapter	550004240
Kit, Vent Flex, 4" dia x 15' with Terminal adapter	550004241
Kit, Vent Flex, 4" dia x 20' with Terminal adapter	550004242
Terminal Adapter (part of Vent Flex kit)	240006914
Appliance Adapter 3 Pass Oil Boiler (part of Vent Flex Kit)	240007535
Vent Terminal Oil	28972
Riser Terminal (adds 36" height)	29231



2201 Dwyer Avenue, Utica, NY 13501

Tel. 800 325-5479

www.ecrinternational.com

All specifications subject to change without notice.

©2020 ECR International, Inc.